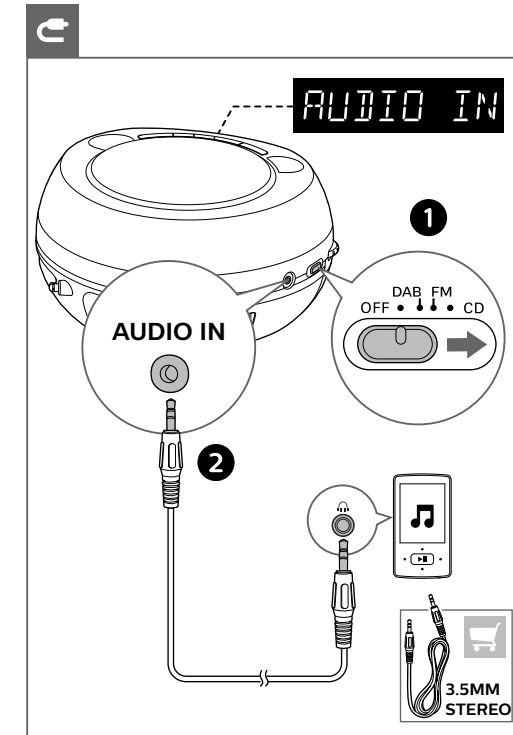
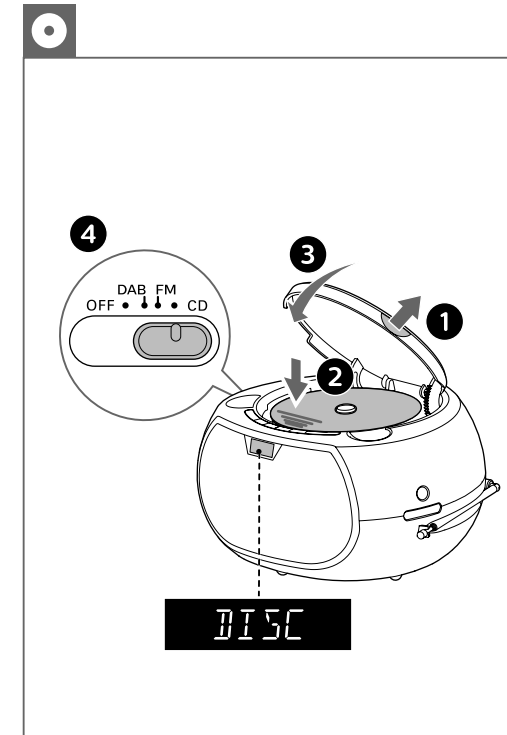
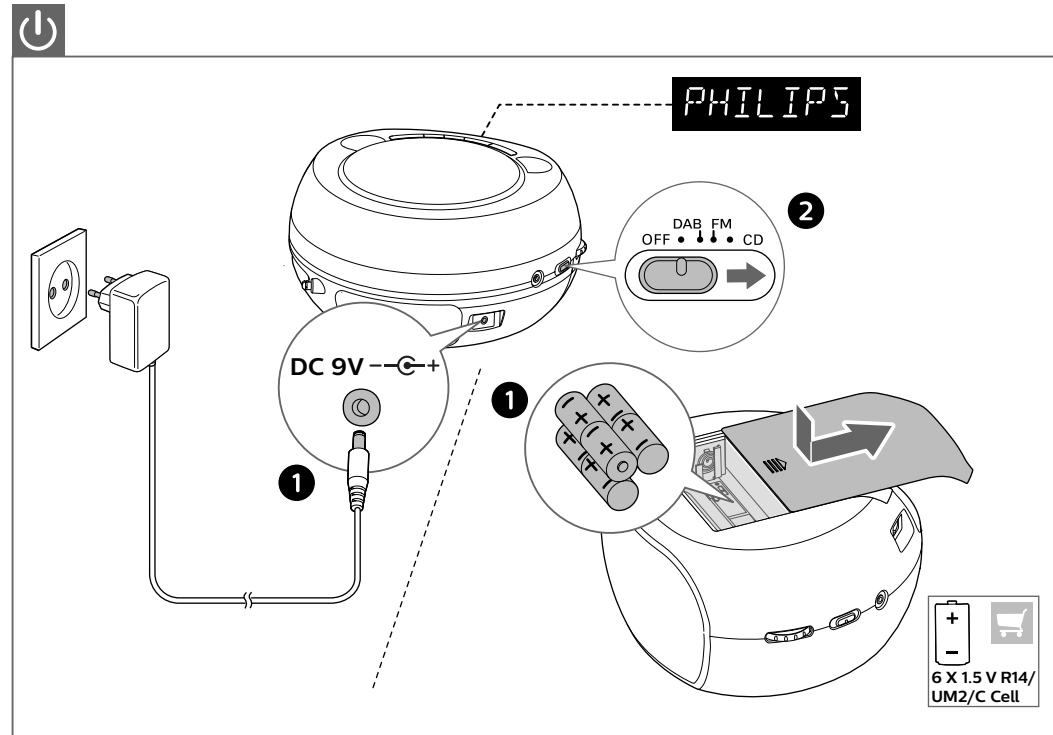
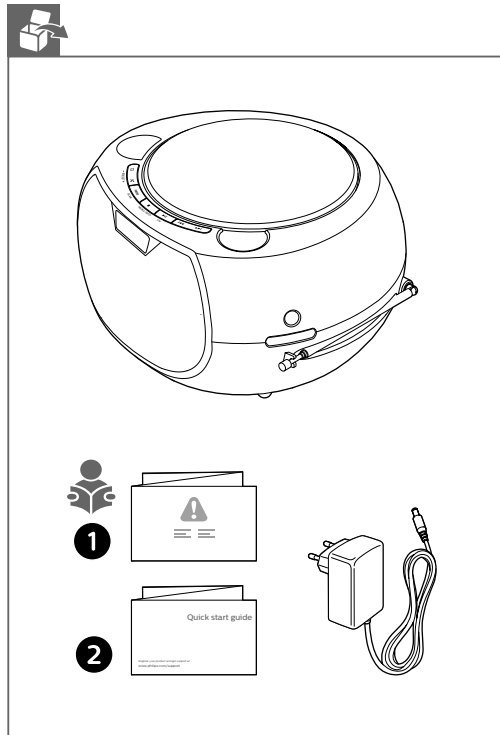
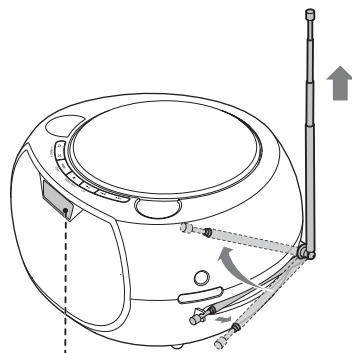


# Quick Start Guide



Register your product and get support at [www.philips.com/support](http://www.philips.com/support)





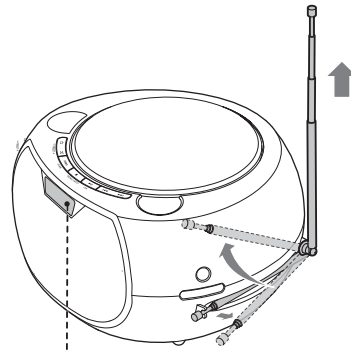
**1** DAB FM OFF • CD

**2** **OK**

**3** - TUNING +

**DAB**

**PRESS OK TO SCAN**

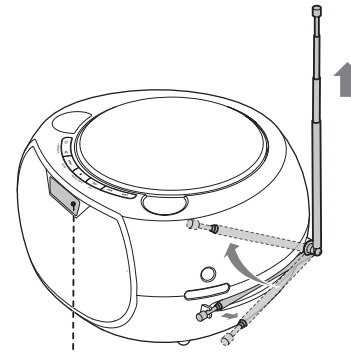


**1** DAB FM OFF • CD

**2 A** - TUNING +

**2 B** - TUNING +

**FM**



**1** DAB FM OFF • CD

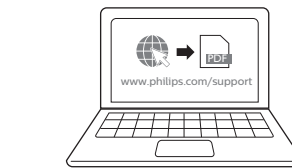
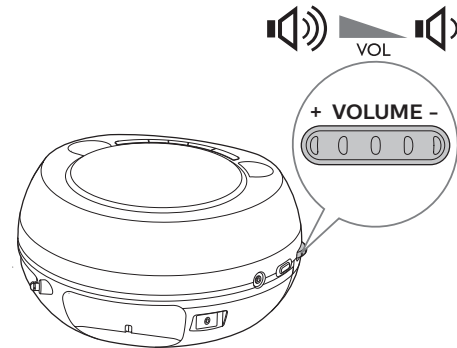
**2** **PROG SCAN**

**3** - PRESET +

**FM**

**PO1**

**PO3**



[www.philips.com/support](http://www.philips.com/support)



Philips and the Philips Shield Emblem are registered trademarks of Koninklijke Philips N.V. and are used under license. This product has been manufactured by and is sold under the responsibility of MMD Hong Kong Holding Limited, or one of its affiliates, and MMD Hong Kong Holding Limited, is the warrantor in relation to this product.

AZB200\_12\_QSG\_V2.0

