

Register your product and get support at  
[www.philips.com/welcome](http://www.philips.com/welcome)

CEM200



---

EN User manual

---



**PHILIPS**

# Contents

---

<b>1 Important</b>	4
Safety	4
Notice	4

---

<b>2 Your car audio system</b>	6
Introduction	6
What's in the box	6
Overview of the main unit	7
Overview of the remote control	8

---

<b>3 Get started</b>	9
Install the car audio	9
Install remote control battery	13
Turn on	14
Set clock	14

---

<b>4 Listen to radio</b>	14
Tune to a radio station	14
Store radio stations in memory	15
Tune to a preset station	15
Play with RDS	15

---

<b>5 Play audio files</b>	17
Play a disc	17
Control play	17
Search for an MP3/WMA track	17
View play information	17
Intro play	18
Shuffle play	18
Repeat play	18
Connect external sound source	18

---

<b>6 Adjust sound</b>	18
Adjust volume	18
Mute	18
Turn Dynamic Bass Boost (DBB) on/off	18
Select preset equalizer	18
Other sound settings	19

---

<b>7 Adjust system settings</b>	19
Select blackout setting	19
Turn demo mode on/off	19
Select start volume	19
Turn beep sound on/off	20
Turn display scroll on/off	20
Select shock-protect setting	20
Reset	21

---

<b>8 Additional information</b>	21
Detach the front panel	21
Replace fuse	21
Remove the unit	22

---

<b>9 Product information</b>	22
------------------------------	----

---

<b>10 Troubleshooting</b>	23
---------------------------	----

---

<b>11 Glossary</b>	24
--------------------	----

# 1 Important

## Safety

- Read and understand all instructions before you use your apparatus. If damage is caused by failure to follow instructions, the warranty does not apply.
- This apparatus is designed for negative ground (earth) 12 V DC operation only.
- To ensure safe driving, adjust the volume to a safe and comfortable level.
- Improper fuses can cause damage or fire. When you need to change the fuse, consult a professional.
- Use only the supplied mounting hardware for a safe and secure installation.
- To avoid short circuit, do not expose the apparatus, remote control or remote control batteries to rain or water.
- Never insert objects into the ventilation slots or other openings on the apparatus.
- Clean the apparatus and frame with a soft, damp cloth. Never use substances such as alcohol, chemicals or household cleaners on the apparatus.
- Never place any objects other than discs into the apparatus.
- Never use solvents such as benzene, thinner, cleaners available commercially, or anti-static sprays intended for discs.
- Visible and invisible laser radiation when open. Avoid exposure to beam.
- Risk of damage to the apparatus screen! Never touch, push, rub or strike the screen with any object.

### Caution

- Use of controls or adjustments or performance of procedures other than herein may result in hazardous radiation exposure or other unsafe operation.

## Notice



The making of unauthorized copies of copy-protected material, including computer programs, files, broadcasts and sound recordings, may be an infringement of copyrights and constitute a criminal offence. This equipment should not be used for such purposes.

**This apparatus includes these labels:**



Class II equipment symbol



This symbol indicates that the apparatus has a double insulation system.

## Recycling



Your product is designed and manufactured with high quality materials and components, which can be recycled and reused. When you see the crossed-out wheel bin symbol attached to a product, it means the product is covered by the European Directive 2002/96/EC:



Never dispose of your product with other household waste. Please inform yourself about the local rules on the separate collection of electrical and electronic products. The correct disposal of your old product helps prevent potentially negative consequences on the environment and human health.

Your product contains batteries covered by the European Directive 2006/66/EC, which cannot be disposed of with normal household waste.

Please inform yourself about the local rules on separate collection of batteries. The correct disposal of batteries helps prevent potentially negative consequences on the environment and human health.



This product complies with the radio interference requirements of the European Community.

This product complies with the requirements of the following directives and guidelines: 2004/108/EC + 2006/95/EC.

## Environmental information

All unnecessary packaging has been omitted. We have tried to make the packaging easy to separate into three materials: cardboard (box), polystyrene foam (buffer) and polyethylene (bags, protective foam sheet.)

Your system consists of materials which can be recycled and reused if disassembled by a specialized company. Please observe the local regulations regarding the disposal of packaging materials, exhausted batteries and old equipment.

Any changes or modifications made to this device that are not expressly approved by Philips Consumer Lifestyle may void the user's authority to operate the equipment.

2009 © Koninklijke Philips Electronics N.V. All rights reserved.

Specifications are subject to change without notice. Trademarks are the property of Koninklijke Philips Electronics N.V. or their respective owners. Philips reserves the right to change products at any time without being obliged to adjust earlier supplies accordingly.

## 2 Your car audio system

Congratulations on your purchase, and welcome to Philips! To fully benefit from the support that Philips offers, register your product at [www.philips.com/welcome](http://www.philips.com/welcome).

### Introduction

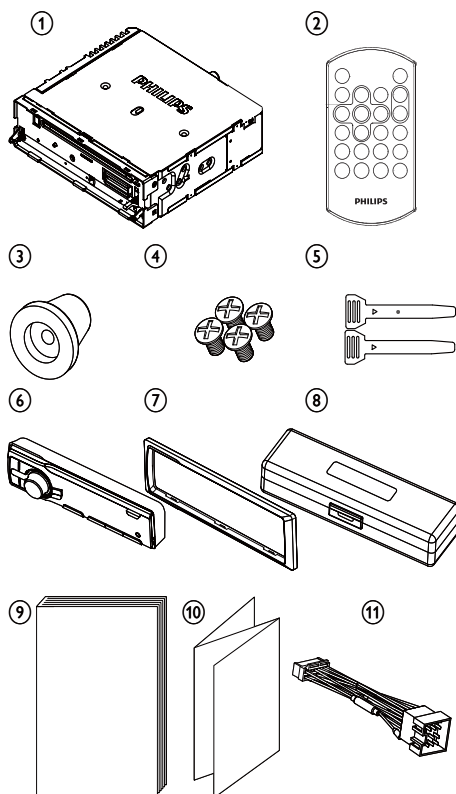
With the in-car audio system, you can enjoy your drive while you listen to:

- FM or AM (MW) radio
- Audio from CD or MP3 disc
- Audio from external devices

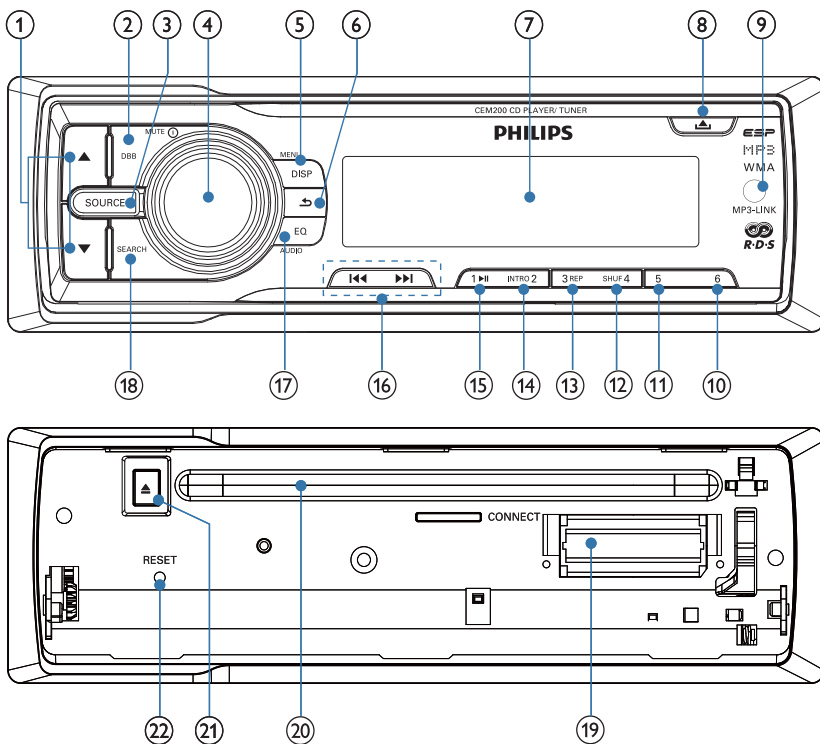
### What's in the box

Check and identify the contents of your package:

- ① In-car audio system
- ② Remote control
- ③ Rubber cushion
- ④ Screw (4 pieces)
- ⑤ Disassembly tool ( 2 pieces)
- ⑥ Front panel
- ⑦ Trim plate
- ⑧ Carrying case for front panel
- ⑨ User manual
- ⑩ Quick start guide
- ⑪ Standard connector

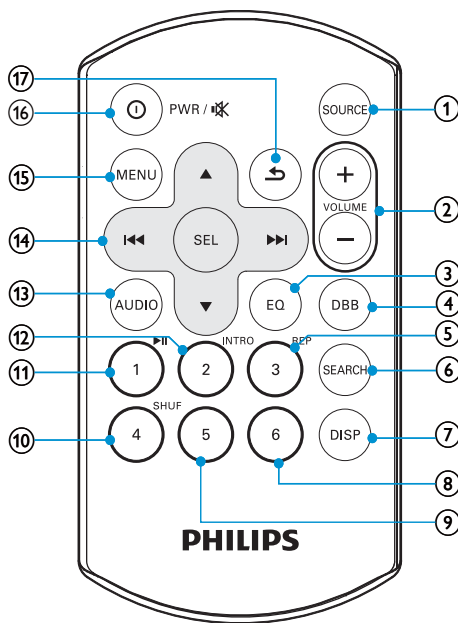


## Overview of the main unit



- ① ▲▼
- Select tuner band.
  - Select MP3/WMA folder.
  - Scroll up or down menu.
- ② DBB
- Turn on or off Dynamic Bass Boost (DBB) sound.
- ③ SOURCE
- Select audio source.
- ④ Ⓜ/MUTE
- Turn the unit on or off.
  - Adjust volume.
  - Confirm selection.
  - Enter characters for search.
  - Mute or restore volume.
- ⑤ MENU / DISP
- Display radio frequency, clock and radio program type (if available).
  - Display track, elapsed time, artist, album, title, folder, file and clock.
  - Access system menu.
- ⑥ ↶
- Return to previous menu.
  - Stop search.
  - Disable screen blackout.
- ⑦ Display panel
- ⑧ 🔒
- Unlock the panel
- ⑨ External device socket

## Overview of the remote control



- ⑩ 6
  - Select preset station no. 6
- ⑪ 5
  - Select preset station no. 5
- ⑫ **SHUF, 4**
  - Activate or deactivate shuffle mode.
  - Select preset station no. 4
- ⑬ **3, REP**
  - Set repeat play mode.
  - Select preset station no. 3
- ⑭ **INTRO, 2**
  - Turn intro play on or off.
  - Select preset station no. 2
- ⑮ **1, ►||**
  - Start play
  - Pause or resume play.
  - Select preset station no. 1

- ⑯ **◀◀ / ▶▶**
  - Tune to a radio station
  - Skip/search for a track.
- ⑰ **EQ/Audio**
  - Select equalizer (EQ) setting.
  - Access audio setting menu.

- ⑱ **SEARCH**
  - Store radio stations automatically.
  - Search a track or folder.

### ⑲ Panel power connection

### ⑳ Disc slot

- ㉑ **▲**
  - Take disc out.

- ㉒ **RESET**
  - Restore default settings.

- ① **SOURCE**
  - Select audio source.
- ② **VOLUME +/-**
  - Adjust volume.
- ③ **EQ**
  - Select EQ setting.
- ④ **DBB**
  - Turn on or off Dynamic Bass Boost (DBB) sound.
- ⑤ **3, REP**
  - Select repeat play mode.
  - Select preset station no. 3.
- ⑥ **SEARCH**
  - Store radio stations automatically.
  - Search a track or folder.

- ⑦ **DISP**
- Display radio frequency and clock.
  - Display track, elapsed time, artist, album, title, folder, file and clock.
- ⑧ **6**
- Select preset station no. 6.
- ⑨ **5**
- Select preset station no. 5.
- ⑩ **SHUF, 4**
- Activate or deactivate shuffle mode.
  - Select preset station no. 4.
- ⑪ **1, ►||**
- Start play.
  - Pause or resume play.
  - Select preset station no. 1.
- ⑫ **INTRO, 2**
- Turn intro play on or off.
  - Select preset station no. 2.
- ⑬ **AUDIO**
- Access audio setting menu.
- ⑭ **Navigation buttons**
- **◀◀▶▶**  
Tune for radio station  
Skip/search for MP3/WMA track.
  - **▲/▼**  
Select tuner band.  
Select MP3/WMA folder.
  - **SEL**  
Confirm selection.
- ⑮ **MENU**
- Access system menu.
- ⑯ **Ⓟ PWR, ✖**
- Turn the unit on or off.
  - Mute or restore volume.
- ⑰ **↶**
- Return to previous menu.
  - Disable screen blackout.

## 3 Get started



### Caution

- Use the controls only as stated in this user manual.

Always follow the instructions in this chapter in sequence.

If you contact Philips, you will be asked for the model and serial number of your apparatus. The model number and serial number are on the bottom of your apparatus. Write the numbers here:

Model No. \_\_\_\_\_

Serial No. \_\_\_\_\_

## Install the car audio

These instructions are for a typical installation. However, if your car has different requirements, make the corresponding adjustment. If you have any questions regarding installation kits, consult your Philips car audio dealer.



### Caution

- This unit is designed for negative ground (earth) 12 V DC operation only.
- Always install this unit in the car dashboard. Other locations can be dangerous as the rear of the unit heats up during use.
- To avoid short-circuit: before you connect, ensure that the ignition is off.
- Ensure that you connect the yellow and red power supply leads after all other leads are connected.
- Ensure that all loose leads are insulated with electrical tape.
- Ensure that the leads do not get caught under screws or in parts that will move (e.g. seat rail).
- Ensure that all ground (earth) leads are run to a common ground (earth) point.
- Use only the supplied mounting hardware for a safe and secure installation.
- Improper fuses can cause damage or fire. When you need to change the fuse, consult a professional.



### Note on the power supply lead (yellow)

- When you connect other devices to this apparatus, ensure that the rating of the car circuit is higher than the total fuse value of all the connected devices.

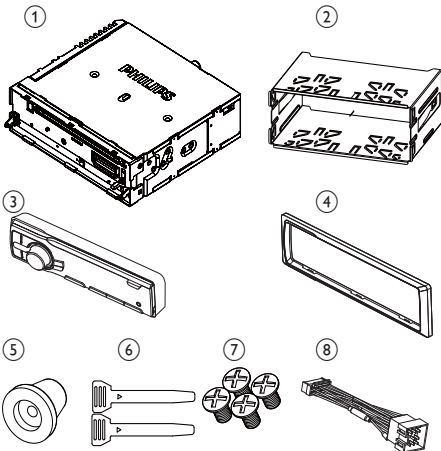
### Notes on speaker connection

- Never connect speaker wires to the metal body or chassis of the car.
- Never connect speaker wires with stripes to one another.

## Overview of parts

These are the supplied parts needed to connect and install this unit.

- ① In-car audio system
- ② Sleeve
- ③ Front panel
- ④ Trim plate
- ⑤ Rubber cushion
- ⑥ Disassembly tools
- ⑦ Screws (4 pieces)
- ⑧ ISO connector

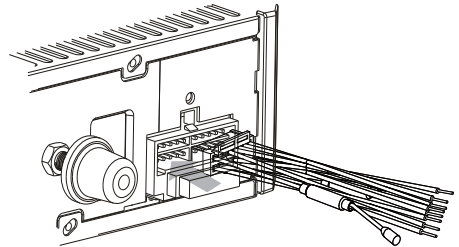


## Connection: for cars with ISO connectors

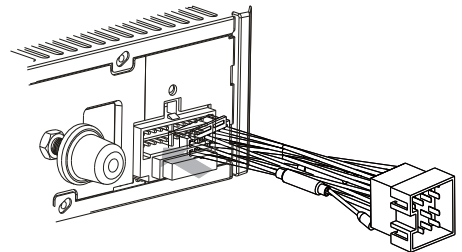
### ! Caution

- Ensure that all loose leads are insulated with electrical tape.

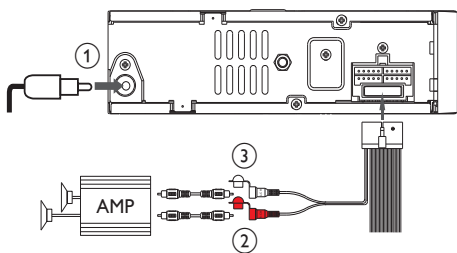
- 1 Pull out the ISO connectors from car dashboard and connect them to the bigger end of the supplied standard connector.



- 2 Connect the other end of the supplied standard connector to the unit.



- 3 Connect the antenna and amplifier as illustrated, if applicable. You can connect the car audio to the amplifier through RCA-TO-RCA cables (not supplied).



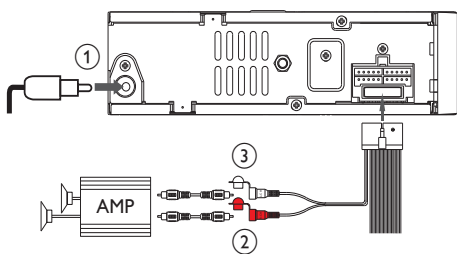
Connector	Connect to
1 ANTENNA	Antenna
2 REAR LINE OUT R	Rear right speaker
3 REAR LINE OUT L	Rear left speaker

### Connection: for cars without ISO connectors

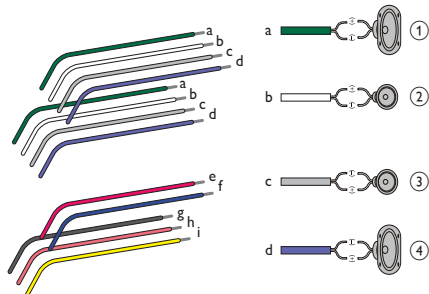
#### ! Caution

- Be sure to connect the black ground (earth) lead first.

1 Connect the antenna and amplifier as illustrated, if applicable.



Connector	Connect to
1 ANTENNA	Antenna
2 REAR LINE OUT R	Rear right speaker
3 REAR LINE OUT L	Rear left speaker



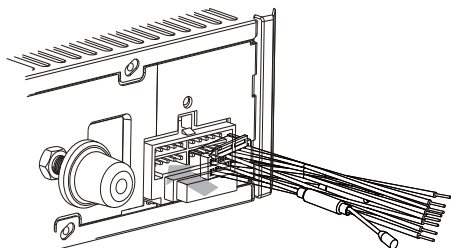
2 Cut off the bigger end of the supplied standard connector.

3 Check the car's wiring carefully and connect them to the supplied standard connector.

1 Green/black strip	Left speaker (Rear)
2 White/black strip	Left speaker (Front)
3 Gray/black strip	Right speaker (Front)
4 Purple/black strip	Right speaker (Rear)

e RED	Ignition key +12V DC when ON/ACC
f BLUE	Motor/electric antenna relay control lead/Amplifier relay control lead
g BLACK	Ground
h ORANGE	Illumination switch
i YELLOW	To the +12V car battery which is energized at all times

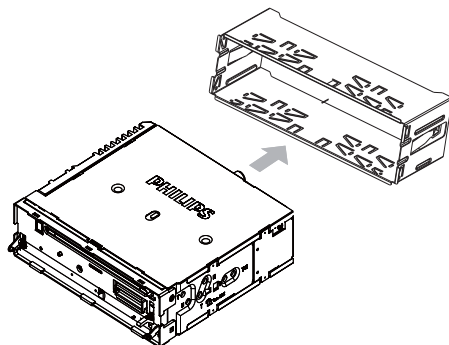
- 4 Connect the supplied standard connector to the unit.



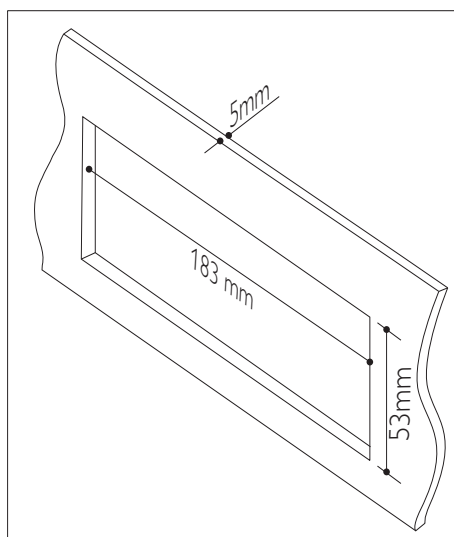
**Tip**

- The pin arrangement for the ISO connectors depends on the type of vehicle you drive. Make sure to make the proper connections to prevent damage to the unit.

- 3 Remove the mounting sleeve with the supplied disassembly tools.

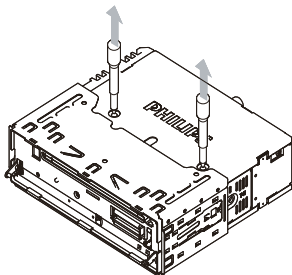


- 4 Ensure that car dashboard opening is within these measurements:



## Mount in the dashboard

- 1 If the car does not have an on-board drive or navigation computer, disconnect the negative terminal of the car battery.
- If you disconnect the car battery in a car that has an on-board drive or navigation computer, the computer may lose its memory.
  - If the car battery is not disconnected, to avoid short-circuit, ensure that bare wires do not touch each other.
- 2 Remove the two screws on the top of the unit.

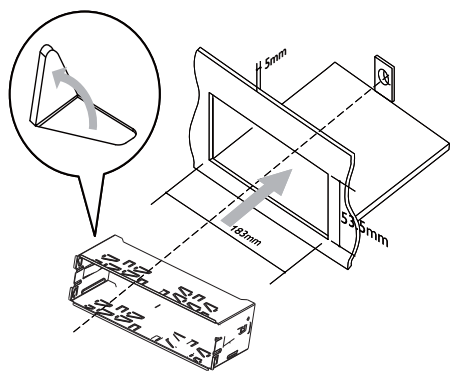


- 5 Install the sleeve into the dashboard and bend the tabs outward to fix the sleeve.

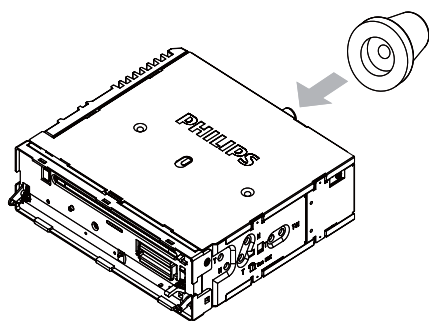


**Note**

- Skip this step if the unit is not fixed by sleeve but by supplied screws.



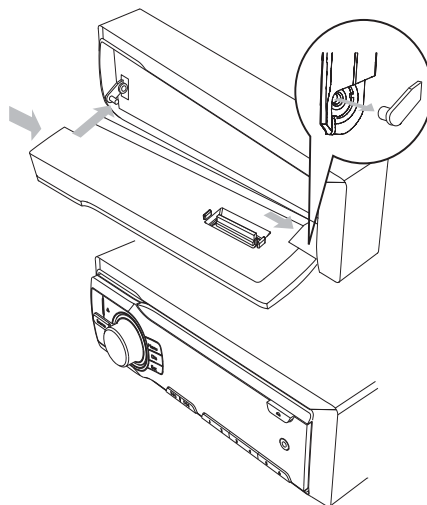
- 6 Place the supplied rubber cushion over the end of the mounting bolt.



- 7 Slide the unit into the dashboard until you hear a click sound.
- 8 Reconnect the negative terminal of the car battery.

## Attach the front panel

- 1 Attach the trim plate.



- 2 Insert the right side of the panel in the chassis until it is correctly engaged.
- 3 Press the left side of the panel and point the left hole at the left pillar.
- 4 Release the panel to engage the left side.

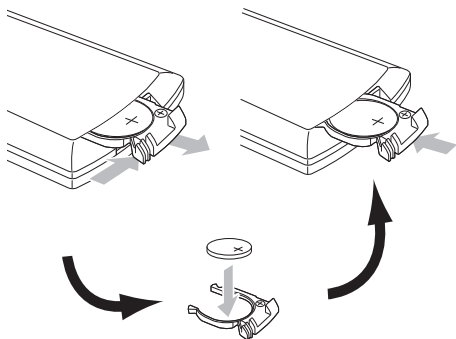
## Install remote control battery

### ! Caution

- Risk of explosion! Keep batteries away from heat, sunshine or fire. Never discard batteries in fire.
- Risk of decreased battery life! Never mix different brands or types of batteries.
- Risk of product damage! When the remote control is not used for long periods, remove the batteries.
- Perchlorate Material - special handling may apply. See [www.dtsc.ca.gov/hazardouswaste/perchlorate](http://www.dtsc.ca.gov/hazardouswaste/perchlorate).

#### For first-time use:

- 1 Remove the protective tab to activate the remote control battery.
- 2 Open the battery compartment.
- 3 Insert 1 CR2025 batteries with correct polarity (+/-) as indicated.
- 4 Close the battery compartment.



## Turn on

- 1 Press **⏻** to turn on the unit.
  - To turn off the unit, press **⏻** for 3 seconds.

## Set clock

- 1 Press **MENU/DISP** for 3 seconds.
- 2 Press **▲** or **▼** repeatedly until the currently time is displayed.
- 3 Turn **⌚** clockwise to set hour.
- 4 Press **⌚** to confirm.
- 5 Turn **⌚** anti-clockwise to set minute.
- 6 Press **⌚** to confirm.

## View clock

- 1 Press **MENU/DISP** repeatedly until the clock is displayed.

# 4 Listen to radio

## Tune to a radio station

- 1 Press **SOURCE** repeatedly to select Tuner.
- 2 Press **▲** or **▼** to select band: **[FM1]**, **[FM2]**, **[FM3]**, **[AM1]**, or **[AM2]**.
- 3 Press **⏪** or **⏩** to tune to a radio station manually.
  - ↳ The radio station is broadcast.
    - To search for a radio station automatically, press **⏪** or **⏩** for 3 seconds.

## Select tuner sensitivity

You can adjust the tuner sensitivity if you want to receive more radio stations or only stations with strong signal.

- 1 Press **MENU/DISP** for over 2 seconds.
- 2 Press **▲** or **▼** repeatedly until **[LOCAL]** or **[DX]** is displayed.
- 3 Rotate **⌚** to select a setting:
  - **[LOCAL]** (local): Only stations with strong signal can be broadcast.
  - **[DX]** (distance): Stations with strong and weak signals can be broadcast.

## Select stereo/mono broadcasting

For stations with weak signals: to improve the reception, change to monoaural sound.

- 1 Press **MENU/DISP** for 3 seconds.
- 2 Press **▲** or **▼** repeatedly until **[STEREO]** or **[MONO]** is displayed.
- 3 Turn **⌚** to select a setting:
  - **[STEREO]**: stereo broadcast.
  - **[MONO]**: mono broadcast.

## Store radio stations in memory

You can store up to 6 stations in each band.

### Store stations automatically

- 1 Press **SEARCH** first, then press  $\odot$ .  
 ↳ The six strongest stations of the selected band are saved in preset channel automatically: FM1,FM2,FM3 1-6,AM1,AM2.

### Store stations manually

- 1 Tune to a station that you want to store. (see 'Tune to a radio station' on page 14)
- 2 Press one of the numbered buttons **1** to **6** for 3 seconds.  
 ↳ The station is saved in the selected channel.

## Tune to a preset station

- 1 Press  $\blacktriangle$  or  $\blacktriangledown$  to select band.
- 2 Press the number button **1** to **6** to select the preset station.

## Play with RDS

The RDS (Radio Data System) function operates only in areas with FM stations broadcasting RDS signals. If you tune to an RDS station, an RDS icon and information about the presenter, station or program is displayed.

## Turn on RDS



### Note

- The default setting for RDS is off.

- 1 Press **MENU/DISP** for 3 seconds.
- 2 Turn  $\odot$  to select **[RDS ON]**:  
 ↳ The RDS function is turned on.

## Select program type

Before tuning to RDS stations, you can select program type and let the unit search only for programs of the selected category.

- 1 Press **SEARCH** until **[PTY SCH]** is displayed, then press  $\odot$  to confirm.
- 2 Turn  $\odot$  to select a type, then press  $\odot$  to confirm.

Item	Program type	Description
1	<b>NEWS</b>	News services
2	<b>AFFAIRS</b>	Politics and current affairs
3	<b>INFO</b>	Special information programs
4	<b>SPORT</b>	Sports
5	<b>EDUCATE</b>	Education and advanced training
6	<b>DRAMA</b>	Radio plays and literature
7	<b>CULTURE</b>	Culture, religion and society
8	<b>SCIENCE</b>	Science
9	<b>VARIED</b>	Entertainment programs
10	<b>POP M</b>	Pop music
11	<b>ROCK M</b>	Rock music
12	<b>MOR M</b>	Light music
13	<b>LIGHT M</b>	Light classical music
14	<b>CLASSICS</b>	Classical music
15	<b>OTHER M</b>	Special music programs
16	<b>WEATHER</b>	Weather
17	<b>FINANCE</b>	Finance

Item	Program type	Description
18	<b>CHILDREN</b>	Children's programs
19	<b>SOCIAL</b>	Social Affairs
20	<b>RELIGION</b>	Religion
21	<b>PHONE IN</b>	Phone In
22	<b>TRAVEL</b>	Travel
23	<b>LEISURE</b>	Leisure
24	<b>JAZZ</b>	Jazz Music
25	<b>COUNTRY</b>	Country Music
26	<b>NATION M</b>	National Music
27	<b>OLDIES</b>	Oldies Music
28	<b>FOLK M</b>	Folk Music
29	<b>DOCUMENT</b>	Documentary
30	<b>TES</b>	Alarm Test
31	<b>ALARM</b>	Alarm

## Select alternate frequencies

If the radio signal come from the current station is poor, you can turn on the AF (Alternate Frequency) function to let the unit searches for another station with stronger signal but with the same program identification as the current station automatically.

- 1 Press **MENU/DISP** for 3 seconds.
- 2 Press **▲** or **▼** repeatedly until **[AF]** is displayed.
- 3 Turn **⊕** to select a setting:
  - **[AF ON]**: Turn on the AF mode.
  - **[AF OFF]**: Turn off the AF mode.

## Set region for AF tuning

You can define AF tuning region:

<b>[REG ON]</b>	Only stations in the current region can be tuned to automatically.
<b>[REG OFF]</b>	All stations can be tuned to automatically.

- 1 Press **MENU/DISP** for 3 seconds.

- 2 Press **▲** or **▼** repeatedly until **[REG]** (Regional Radio) is displayed.
- 3 Turn **⊕** to select a setting.

## Receive traffic announcement

If you do not want to miss traffic announcement during enjoying music, you can turn on the TA (Traffic Announcement) function.

- 1 Press **MENU/DISP** for 3 seconds.
- 2 Press **▲** or **▼** repeatedly until **[TA]** is displayed.
- 3 Turn **⊕** to select a setting:
  - **[TA ON]**: When there is traffic announcement, the unit switches to the tuner mode (regardless of the current mode) and begins to broadcast the announcement on traffic conditions. When the traffic announcement is over, it returns to the previous mode.
  - **[TA OFF]**: Traffic announcement does not cut in.

## Set RDS clock

You can use time signal that is broadcast together with the RDS signal to set the clock of the unit automatically.

- 1 Press **MENU/DISP** for 3 seconds.
- 2 Press **▲** or **▼** repeatedly until **[CT]** is displayed.
- 3 Turn **⊕** to select a setting:
  - **[CT ON]**: Turn on the RDS clock. Time shown on the unit synchronize with that on the RDS station.
  - **[CT OFF]**: Turn off the RDS clock.



- The accuracy of the transmitted time depends on the RDS station that transmits the time signal.

## 5 Play audio files



### Note

- Ensure that the disc or device contains playable files.

### Play a disc



### Note

- You cannot play CDs encoded with copyright protection technologies.

You can play commercially available audio CDs and these discs:

- CD-Recordables (CD-R)
- CD-Re-writables (CD-RW)
- MP3 CDs
- WMA CDs



### Note

- Ensure that the disc contains playable content.

- 1 Press **▲** on the front panel to release the panel.
- 2 Insert a CD with the printed side facing up.
- 3 Close the panel.
  - ↳ Play starts automatically.
  - To pause CD play, press **1▶||**.
  - To resume CD play, press **1▶||** again.

### Remove the CD

To take out the CD,

- 1 Press **▲**.
- 2 Press **▲** beside the disc slot.



### Tip

- If the disc is blocked in the disc compartment, press and hold **▲** until the disc comes out.

## Control play

- To select a folder, press **▲** or **▼**.
- To skip to the previous/next track, press **◀◀** or **▶▶**.
- To search backward/forward rapidly within the current track, press **◀◀** or **▶▶** for 3 seconds.
- To pause, press **1▶||**.
- To resume play, press **1▶||** again.

## Search for an MP3/WMA track

- 1 Press **SEARCH**.
  - ↳ Search menu is displayed.
  - ↳ **[FOLD SCH]**: search by folder sequence.
  - ↳ **[FILE SCH]**: search by track name.
- 2 Turn **⊕** to select **[FILE]** and then press **⊕** to confirm.
- 3 Turn **⊕** to enter a character and then press **⊕**.
- 4 Repeat step 3 until the search term is complete.
- 5 Press **⊕** for 3 seconds to start search.
  - ↳ When search is finished, a list of matching tracks are displayed.
- 6 Turn **⊕** to skip over the list.
- 7 Press **⊕** to select a track.

## View play information

- 1 During play, press **MENU/DISP** repeatedly to view:
  - Track number and elapsed play time
  - Artist
  - Album
  - Title
  - Folder
  - File
  - Clock



---

## Intro play

You can play the first 10 seconds of each track.

- 1 During play, press **INTRO**, **2** to select:
  - **[INT ON]** : After the first 10 seconds of each track have been played, play stops.
  - **[INT OFF]** : Cancel intro play and start normal play.

---

## Shuffle play

You can play the tracks in random order.

- 1 During play, press **SHUF**, **4** to select:
  - **[SHUF ON]**: start shuffle play for all tracks.
  - **[SHUF OFF]**: cancel shuffle play.

---

## Repeat play

- 1 During play, press **3**, **REP** repeatedly to select:
  - **[RPT TRK]** (repeat one track): play the current track repeatedly.
  - **[RPT DIR]** (repeat a folder): play all tracks in the current folder repeatedly.
  - **[RPT ALL]** (repeat all tracks): play all tracks repeatedly.
  - **[RPT OFF]**: cancel repeat.

---

## Connect external sound source

- 1 Connect the external sound source to **MP3 LINK** socket with a 3.5 mm cable.
- 2 Press **SOURCE** repeatedly until **[MP3 LINK]** is displayed.
- 3 Operate the external component (refer to the instructions supplied with the external component).

---

# 6 Adjust sound

---

## Adjust volume

- 1 Turn  $\odot$  clockwise/anticlockwise to increase/decrease volume.

---

## Mute

You can turn off the sound of your audio.

- 1 During play, press **MUTE**  $\odot$ .
  - To turn the sound back on, press **MUTE**  $\odot$  again.

---

## Turn Dynamic Bass Boost (DBB) on/off

- 1 Press **DBB**, the current setting is displayed:
  - ↳ **[DBB ON]** :The Dynamic Bass Boost (DBB) function is on.
  - ↳ **[DBB OFF]** :The DBB function is off.
- 2 Press **DBB** again to change the DBB setting.

---

## Select preset equalizer

- 1 Press **EQ/Audio**.
  - ↳ The current Equalizer setting is displayed.
- 2 Press **EQ/Audio** again repeatedly to select a preset EQ:
  - **[OPTIMAL]** (optimal)
  - **[FLAT]** (flat)
  - **[POP]** (pop)
  - **[USER]** (user)
  - **[TECHNO]** (techno)
  - **[ROCK]** (rock)
  - **[CLASSIC]** (classic)
  - **[JAZZ]** (jazz)

## Other sound settings

You can also edit user preset EQ.

- 1 Press **EQ/Audio** for 3 seconds.
- 2 Press **▲** or **▼** repeatedly to select the item to be adjusted:
  - **[BAS]** (bass) range: -7 to +7.
  - **[TRE]** (treble) range: -7 to +7.
  - **[BAL]** (balance) range: 12L to 12R. (L = left speaker, R = right speaker)
  - **[FAD]** (fader) range: 12R to 12F. (R = rear speaker, F = front speaker)
- 3 Turn **⊕** to select a value.

## 7 Adjust system settings

### Select blackout setting

You can set the screen to turn off automatically after the unit is idle for 10 or 20 seconds.

- 1 Press **MENU/DISP** for 3 seconds.
- 2 Turn **⊕** to select a setting:
  - **[BKO 10 S]** : Turn off the screen automatically 10 seconds after last operation.
  - **[BKO 20 S]** : Turn off the screen automatically 20 seconds after last operation.
  - **[BKO OFF]** : Never turn off the screen.

### Turn demo mode on/off


When demo mode is on, when the unit is idle for more than 2 minutes, all functions are displayed.

- 1 Press **MENU/DISP** for 3 seconds.
- 2 Press **▲** or **▼** repeatedly to until **[DEMO]** is displayed.
  - ↳ The screen shows current Demo mode setting.
- 3 Turn **⊕** to select a setting:
  - **[DEMO ON]** : Turn on the demo mode.
  - **[DEMO OFF]** : Turn off the demo mode.

### Select start volume

Each time you turn on the unit, it can play at the last listened volume or at the preset volume.


- 1 Press **MENU/DISP** for 3 seconds.

- 2 Press ▲ or ▼ repeatedly to until [V - LAST] or [V - ADJ] is displayed.
- 3 Turn  to select a setting:
  - [V - LAST]: Each time you turn on the unit, the volume remains from its previous use.
  - [V - ADJ]: Each time you turn on the unit, the volume is at the preset level.

---

## Store preset volume

You can turn on the unit at a preset volume.


- 1 Select [V - ADJ] as the start volume.
- 2 Press MENU/DISP for 3 seconds.
- 3 Press ▲ or ▼ repeatedly to until [A-VOL] is displayed.
- 4 Turn  to select a value: 0 - 47.

---

## Turn beep sound on/off

Each time you press a button, the unit beeps.

You can turn off/on this beep sound.

- 1 Press MENU/DISP for 3 seconds.
- 2 Press ▲ or ▼ repeatedly to until [BEEP ON] or [BEEP OFF] is displayed.
- 3 Rotate  to select a setting:
  - [BEEP ON]: Turn on the beep sound.
  - [BEEP OFF]: Turn off the beep sound.


---

## Turn display scroll on/off

For track information that is longer than the display panel: you can select to cut off the remainder of the text, or scroll to display the full text.

### Note


- If any special characters are present in the MP3 track name or album name, it may not display correctly on the screen because these characters are not supported.
- Some WMA is protected by Digital Rights Management (DRM), it cannot be played on the unit.
- Folders/files exceed the supported limit of the unit are not displayed or played.

- 1 Press MENU/DISP for 3 seconds.
- 2 Press ▲ or ▼ repeatedly to until [ROLL ON] or [ROLL OFF] is displayed.
- 3 Turn  to select a setting:
  - [ROLL ON] (scroll on): Auto scroll during play.
  - [ROLL OFF] (scroll off): No auto scroll display.

---

## Select shock-protect setting

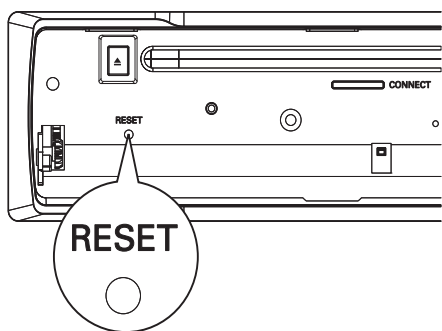
You can select the shock protection setting, depending on the stability of your car and the condition of the road.

- 1 Press MENU/DISP for 3 seconds.
- 2 Press ▲ or ▼ repeatedly until [ESP] is displayed.
- 3 Turn  to select a setting:
  - [ESP 10 S]: select this when the road is smooth and there are few bumps.
  - [ESP 40 S]: select this when the road is bumpy and unstable.

## Reset

You can reset the unit to its default setting.

- 1 Detach the front panel (see 'Detach the front panel' on page 21).
- 2 Press the reset button by using a ball-point pen or a similar tool.
  - ↳ Preset adjustments such as preset channels and sound adjustments are erased.

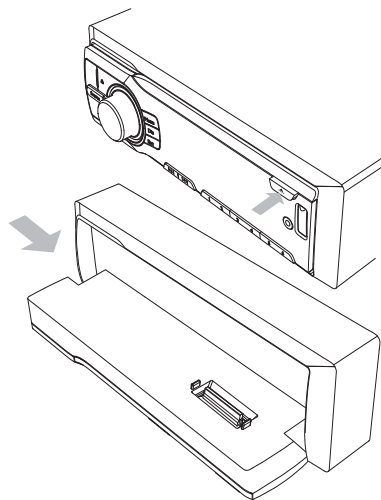


## 8 Additional information

### Detach the front panel

You can detach the front panel to deter theft.

- 1 Press ▲ to release the panel.
- 2 Press the left side of the panel rightward.



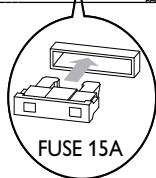
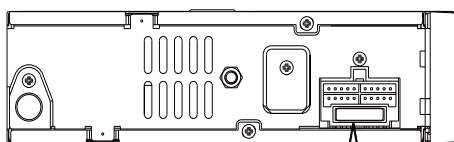
- 3 Pull the panel towards you to detach it from the chassis.
- 4 Store the panel in the supplied carry case to protect it from dirt or damage.

### Replace fuse

If the fuse is damaged,

- 1 Check the electric connection.
- 2 Buy a fuse that matches the voltage of the damaged fuse.
- 3 Replace the fuse.

# 9 Product information



## Note

- If the new fuse gets damaged again, there may be an internal malfunction. Consult your Philips dealer.

## Note

- Product information is subject to change without prior notice.

Power supply	12 V DC (11 V - 16 V), negative ground
Fuse	15 A
Suitable speaker impedance	4 - 8 $\Omega$
Maximum power output	45 W x 4 channels
Continuous power output	22 W x 4 RMS (4 $\Omega$ 10% T.H.D.)
Pre-Amp output voltage	2.0 V
Aux-in level	$\geq$ 500 mV
Dimensions (W x H x D)	188 x 58 x 206 mm
Weight	1.57 kg
Operating temperature range	-20°C ~ 70°C

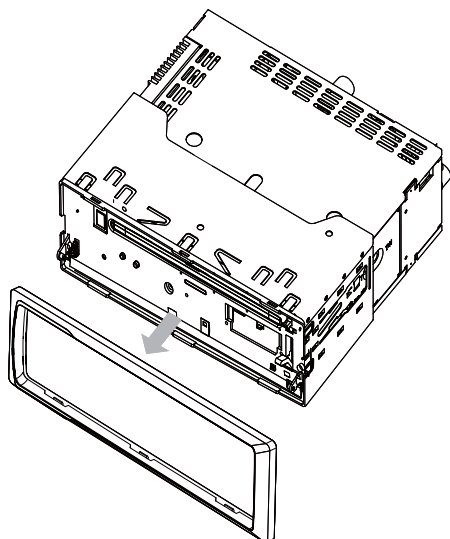
## Radio

Frequency range - FM	87.5 - 108.0 MHz (100 kHz per step in auto search and 50 kHz per step in manual search)
Frequency range - AM(MW)	522 - 1620 KHz (9 kHz) 530 - 1710 kHz (10 kHz)
Usable sensitivity - FM	8 $\mu$ V
Usable sensitivity - AM(MW) (S/N = 20 dB)	30 $\mu$ V

## Remove the unit

You can remove the unit from the dashboard.

- 1 Detach the front panel.
- 2 Pull out the unit by using the removal keys.



# 10 Troubleshooting



## Caution

- Never remove the casing of this apparatus.

To keep the warranty valid, never try to repair the system yourself.

If you encounter problems when using this apparatus, check the following points before requesting service. If the problem remains unsolved, go to the Philips web site ([www.philips.com/support](http://www.philips.com/support)). When you contact Philips, ensure that your apparatus is nearby and the model number and serial number are available.

### No power or no sound.

- Car engine is not on. Turn the car engine on.
- Cable is not correctly connected. Check connections.
- Fuse is burnt. Replace fuse.
- Volume is too low. Adjust volume (see 'Adjust volume' on page 18).
- If the above solutions cannot help, press the RESET button.
- Ensure that the track played is of a compatible format.

### Noise in broadcasts.

- Signals are too weak. Select other stations with stronger signals.
- Check the connection of the car antenna.
- Change broadcast from Stereo to mono.

### Cannot play disc

- Ensure that the disc label is inserted with the printed side facing up.
- Wipe the disc with fibre cleaning cloth from the centre to the edge in a straight line.
- This disc may be defective. Play another disc.
- Ensure that the CD is a finalised CD/CD-R/CD-RW.
- Ensure that the CD is not encoded with copyright protection technologies.

### The CD skips tracks

- Ensure that the CD is not damaged or dirty.
- Ensure that random mode is deactivated.

### Disc cannot be ejected

- Press and hold ▲.

### Preset stations lost.

- Battery cable is not correctly connected. Connect the battery cable to the terminal that is always live.

# 11 Glossary

---

## M

### **MP3**

A file format with a sound data compression system. MP3 is the abbreviation of Motion Picture Experts Group 1 (or MPEG-1) Audio Layer 3. With the MP3 format, one CD-R or CD-RW can contain about 10 times more data than a regular CD.

---

## W

### **WMA (Windows Media Audio)**

An audio format owned by Microsoft, is a part of Microsoft Windows Media technology. Includes Microsoft Digital Rights Management tools, Windows Media Video encoding technology, and Windows Media Audio encoding technology.

