

Register your product and get support at
www.philips.com/welcome

Micro System

MCM355/12



EN User manual

DA Brugervejledning

DE Benutzerhandbuch

ES Användarhandbok

FR Mode d'emploi

IT Manuale utente

NL Gebruiksaanwijzing

SV Användarhandbok

PHILIPS

Contents

1 Important	2	8 Other features	16
Safety	2	Set the sleep timer	16
Notice	4	Set the alarm timer	16
		Listen to an external device	16
		Listen through headphone	16
2 Your Micro System	5	9 Product information	17
Introduction	5	Specifications	17
What's in the box	5	USB playability information	17
Overview of the main unit	6	Supported MP3 disc formats	18
Overview of the remote control	7	RDS program types	18
3 Get started	9	10 Troubleshooting	19
Connect speakers	9		
Connect FM antenna	9		
Connect power	9		
Install remote control batteries	10		
Set clock	10		
Turn on	10		
4 Play	11		
Play disc	11		
Play from USB	11		
5 Play options	12		
Repeat and random play	12		
Program tracks	12		
Display play information	12		
6 Listen to the radio	13		
Tune to a radio station	13		
Program radio stations automatically	13		
Program radio stations manually	13		
Select a preset radio station	13		
Show RDS information	13		
Set clock with RDS	14		
7 Adjust sound	15		
Adjust volume	15		
Select a preset sound effect	15		
Enhance bass	15		
Mute sound	15		

1 Important

Safety

Know these safety symbols



This 'bolt of lightning' indicates uninsulated material within your unit may cause an electrical shock. For the safety of everyone in your household, please do not remove product covering.

The 'exclamation point' calls attention to features for which you should read the enclosed literature closely to prevent operating and maintenance problems. **WARNING:** To reduce the risk of fire or electric shock, this apparatus should not be exposed to rain or moisture and objects filled with liquids, such as vases, should not be placed on this apparatus.

CAUTION: To prevent electric shock, match wide blade of plug to wide slot, fully insert.

- ① Read these instructions.
- ② Keep these instructions.
- ③ Heed all warnings.
- ④ Follow all instructions.
- ⑤ Do not use this apparatus near water.
- ⑥ Clean only with dry cloth.
- ⑦ Do not block any ventilation openings. Install in accordance with the manufacturer's instructions.

- ⑧ Do not install near any heat sources such as radiators, heat registers, stoves, or other apparatus (including amplifiers) that produce heat.
- ⑨ Protect the power cord from being walked on or pinched, particularly at plugs, convenience receptacles, and the point where they exit from the apparatus.
- ⑩ Only use attachments/accessories specified by the manufacturer.
- ⑪ Use only with the cart, stand, tripod, bracket, or table specified by the manufacturer or sold with the apparatus. When a cart is used, use caution when moving the cart/apparatus combination to avoid injury from tip-over.



- ⑫ Unplug this apparatus during lightning storms or when unused for long periods of time.
- ⑬ Refer all servicing to qualified service personnel. Servicing is required when the apparatus has been damaged in any way, such as power-supply cord or plug is damaged, liquid has been spilled or objects have fallen into the apparatus, the apparatus has been exposed to rain or moisture, does not operate normally, or has been dropped.
- ⑭ **Battery usage CAUTION** – To prevent battery leakage which may result in bodily injury, property damage, or damage to the unit:
 - Install all batteries correctly, + and - as marked on the unit.
 - Do not mix batteries (old and new or carbon and alkaline, etc.).

- Remove batteries when the unit is not used for a long time.

- 15 **Apparatus shall not be exposed to dripping or splashing.**
- 16 **Do not place any sources of danger on the apparatus (e.g. liquid filled objects, lighted candles).**
- 17 **This product may contain lead and mercury. Disposal of these materials may be regulated due to environmental considerations. For disposal or recycling information, please contact your local authorities or the Electronic Industries Alliance: www.eiae.org.**
- 18 **Where the MAINS plug or an appliance coupler is used as the disconnect device, the disconnect device shall remain readily operable.**

Warning

- Never remove the casing of this apparatus.
- Never lubricate any part of this apparatus.
- Never place this apparatus on other electrical equipment.
- Keep this apparatus away from direct sunlight, naked flames or heat.
- Never look into the laser beam inside this apparatus.
- Ensure that you always have easy access to the power cord, plug or adaptor to disconnect this apparatus from the power.

Risk of overheating! Never install this apparatus in a confined space. Always leave a space of at least four inches around this apparatus for ventilation. Ensure curtains or other objects never cover the ventilation slots on this apparatus.

Hearing safety

Listen at a moderate volume.

- Using headphones at a high volume can impair your hearing. This product can produce sounds in decibel ranges that may cause hearing loss for a normal person, even for exposure less than a minute. The higher decibel ranges are

offered for those that may have already experienced some hearing loss.

- Sound can be deceiving. Over time your hearing 'comfort level' adapts to higher volumes of sound. So after prolonged listening, what sounds 'normal' can actually be loud and harmful to your hearing. To guard against this, set your volume to a safe level before your hearing adapts and leave it there.

To establish a safe volume level:

- Set your volume control at a low setting.
- Slowly increase the sound until you can hear it comfortably and clearly, without distortion.

Listen for reasonable periods of time:

- Prolonged exposure to sound, even at normally 'safe' levels, can also cause hearing loss.
- Be sure to use your equipment reasonably and take appropriate breaks.

Be sure to observe the following guidelines when using your headphones.

- Listen at reasonable volumes for reasonable periods of time.
- Be careful not to adjust the volume as your hearing adapts.
- Do not turn up the volume so high that you can't hear what's around you.
- You should use caution or temporarily discontinue use in potentially hazardous situations. Do not use headphones while operating a motorized vehicle, cycling, skateboarding, etc.; it may create a traffic hazard and is illegal in many areas.

Norge

Typeskilt finnes på apparatens underside.

Observer: Nettbryteren er sekundert innkoplet. Den innebygde nettdelen er derfor ikke frakoplet nettet så lenge apparatet er tilsluttet nettkontakten.

For å redusere faren for brann eller elektrisk støt, skal apparatet ikke utsettes for regn eller fuktighet.

Notice



This product complies with the radio interference requirements of the European Community.

This product complies with the requirements of the following directives and guidelines: 2004/108/EC + 2006/95/EC

Any changes or modifications made to this device that are not expressly approved by Philips Consumer Lifestyle may void the user's authority to operate the equipment.

Recycling



Your product is designed and manufactured with high quality materials and components, which can be recycled and reused.

When you see the crossed-out wheel bin symbol attached to a product, it means the product is covered by the European Directive 2002/96/EC:



Never dispose of your product with other household waste. Please inform yourself about the local rules on the separate collection of electrical and electronic products. The correct disposal of your old product helps prevent potentially negative consequences on the environment and human health.

Your product contains batteries covered by the European Directive 2006/66/EC, which cannot be disposed of with normal household waste.

When you see the crossed-out wheel bin symbol with the chemical symbol 'Pb', it means that the batteries comply with the requirement set by the directive for lead:



Please inform yourself about the local rules on separate collection of batteries. The correct disposal of batteries helps prevent potentially negative consequences on the environment and human health.

Environmental information

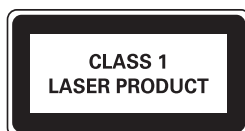
All unnecessary packaging has been omitted. We have tried to make the packaging easy to separate into three materials: cardboard (box), polystyrene foam (buffer) and polyethylene (bags, protective foam sheet.)

Your system consists of materials which can be recycled and reused if disassembled by a specialized company. Please observe the local regulations regarding the disposal of packaging materials, exhausted batteries and old equipment.



Windows Media and the Windows logo are trademarks, or registered trademarks of Microsoft Corporation in the United States and/or other countries.

This apparatus includes this label:



2 Your Micro System

Congratulations on your purchase, and welcome to Philips! To fully benefit from the support that Philips offers, register your product at www.philips.com/welcome.

Introduction

With this unit, you can enjoy audio from audio discs, USB devices and other external devices, or listen to radio stations.

The unit offers you multiple sound effect settings that enrich sound with Digital Sound Control (DSC) and Dynamic Bass Boost (DBB). The unit supports the following media formats:

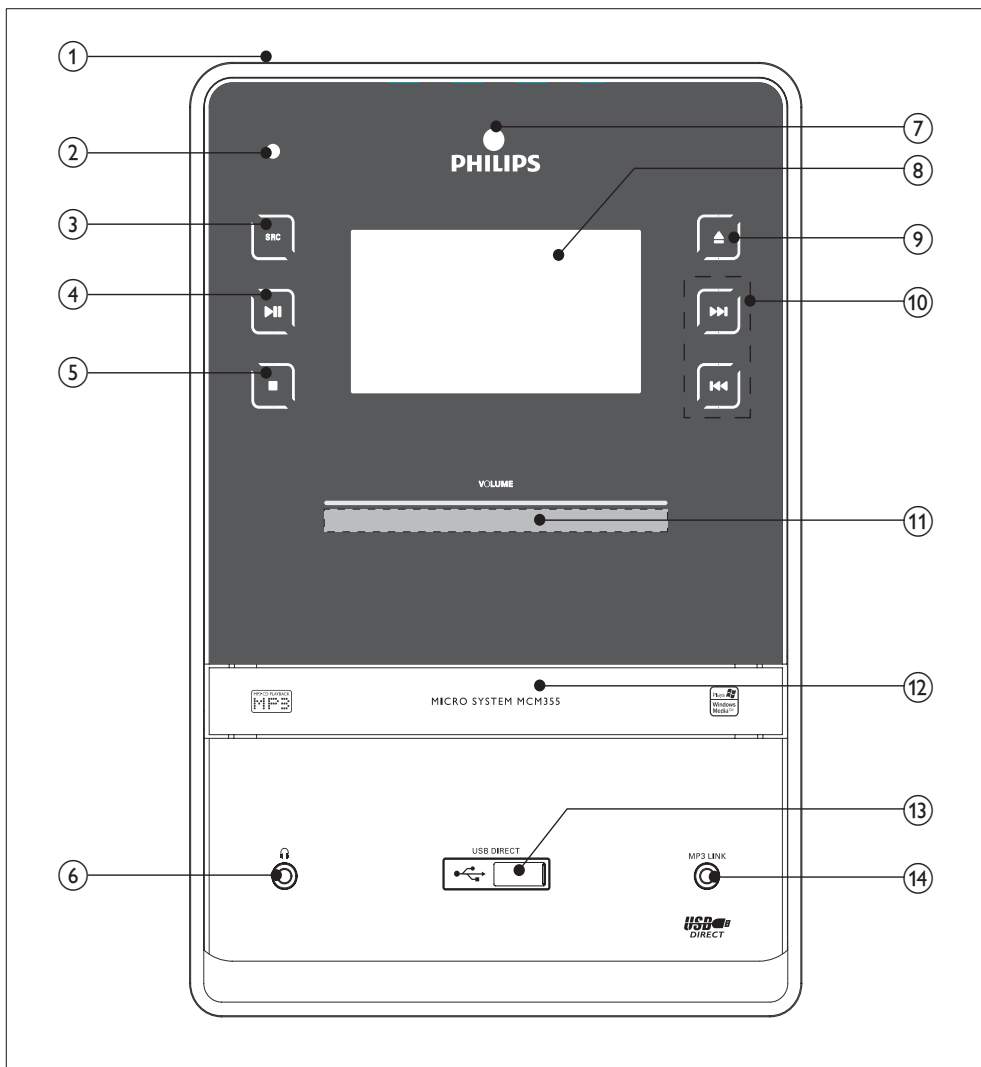


What's in the box

Check and identify the contents of your package:

- Main unit
- Loudspeaker boxes x 2
- Power cord
- Remote control
- FM antenna
- MP3 link cable
- User manual
- Quick start guide

Overview of the main unit



① POWER

- Turn on the unit, or switch to standby mode.

② Power indicator

③ SRC

- Select a source: CD, USB, TUNER, MP3 LINK or AUX.

④ ►||

- Start or pause play.

⑤ ■

- Stop play or erase a program.

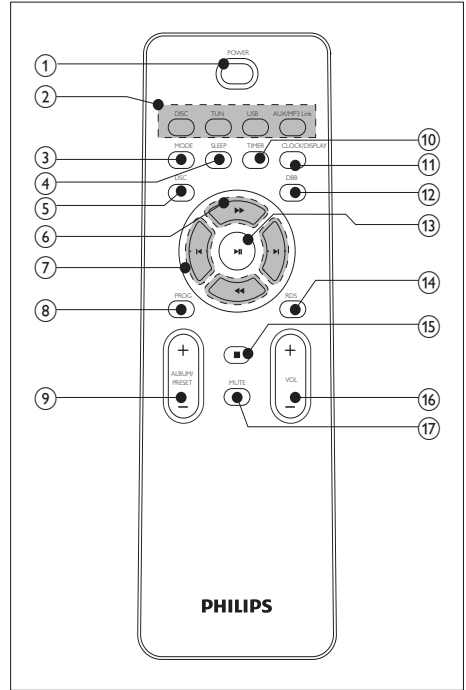
⑥ 🎧

- Connect headphones.




⑦ IR sensor

- ⑧ **Display panel**
 - Show current status.
- ⑨ **▲**
 - Open or close the disc compartment.
- ⑩ **⏮⏪⏩⏭**
 - Skip to the previous/next track.
 - Search within a track/ disc/USB.
 - Tune to a radio station.
- ⑪ **Volume control**
 - Adjust volume.
- ⑫ **Disc compartment**
- ⑬ **↔**
 - Jack for a USB mass storage device.
- ⑭ **MP3 LINK**
 - Audio input jack (3.5mm) for an external audio device.

Overview of the remote control



- ① **POWER**
 - Switch to standby mode.
- ② **Source selection keys (DISC, TUN, USB, AUX/MP3 LINK)**
 - Select a source: CD, TUNER, USB, or AUX/MP3 LINK.
- ③ **MODE**
 - Select repeat play or random play.
- ④ **SLEEP**
 - Set the sleep timer.
- ⑤ **DSC**
 - Select a preset sound setting.
- ⑥ **⏮⏪⏩⏭**
 - Search within a track/disc/USB.
 - Tune to a radio station.

- ⑦ 
 - Skip to the previous/next track.
- ⑧ **PROG**
 - Program tracks.
 - Program radio stations.
- ⑨ **ALBUM/PRESET +/-**
 - Select a preset radio station.
 - Skip to the previous/next album.
- ⑩ **TIMER**
 - Set the alarm timer.
 - Activate or deactivate the alarm timer.
- ⑪ **CLOCK/DISPLAY**
 - Set the clock.
 - During play, select display information.
- ⑫ **DBB**
 - Turns on or off dynamic bass enhancement.
- ⑬ 
 - Start or pause play.
- ⑭ **RDS**
 - Display available RDS (Radio Data System) information of an FM radio station.
- ⑮ 
 - Stop play or erase a program.
- ⑯ **VOL +/-**
 - Adjust volume.
- ⑰ **MUTE**
 - Mute volume.

3 Get started

! Caution

- Use of controls or adjustments or performance of procedures other than herein may result in hazardous radiation exposure or other unsafe operation.

Always follow the instructions in this chapter in sequence.

If you contact Philips, you will be asked for the model and serial number of this apparatus. The model number and serial number are on the back of the apparatus. Write the numbers here:

Model No. _____

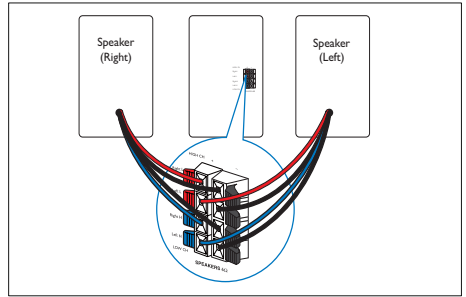
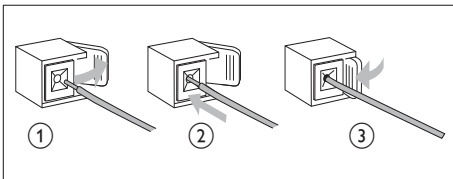
Serial No. _____

Connect speakers

☰ Note

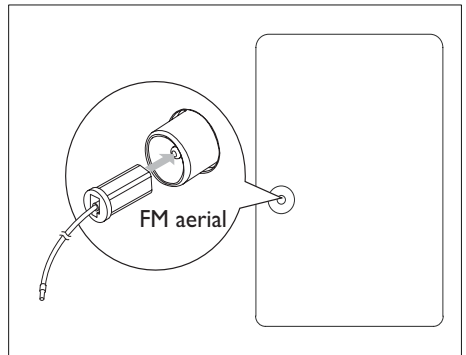
- Ensure that the colors of the speaker wires and terminals are matched.

- 1 Hold down the socket flap.
- 2 Insert the stripped part of the wire completely.
 - Insert the right speaker wires to "Right L/Right H", left speaker wires to "Left L/Left H".
 - Insert the red/blue wires to "+", black wires to "-".
- 3 Release the socket flap.



Connect FM antenna

- 1 Connect the supplied FM antenna to the FM AERIAL jack on the main unit.

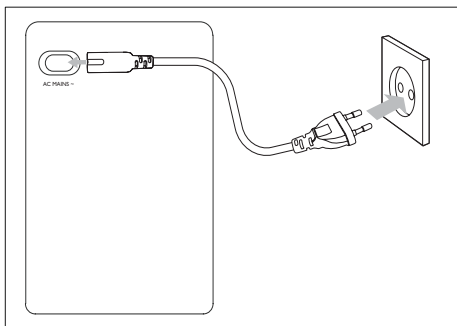


Connect power

! Caution

- Risk of product damage! Ensure that the power supply voltage corresponds to the voltage printed on the back or the underside of the unit.
- Risk of electric shock! When you unplug the AC power cord, always pull the plug from the socket. Never pull the cord.
- Before connecting the AC power cord, ensure you have completed all other connections.

- 1 Connect the power cord to the **AC~MAINS** jack on the main unit.
- 2 Connect the power plug to the wall outlet.

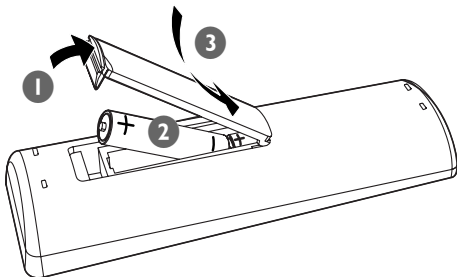


Install remote control batteries

Caution

- Risk of explosion! Keep batteries away from heat, sunshine or fire. Never discard batteries in fire.
- Risk of decreased battery life! Never mix different brands or types of batteries.
- Risk of product damage! When the remote control is not used for long periods, remove the batteries.

- 1 Open the battery compartment.
- 2 Insert 2 AAA batteries with correct polarity (+/-) as indicated.
- 3 Close the battery compartment.



Set clock

- 1 In standby mode, press and hold **CLOCK/DISPLAY** to activate the clock setting mode.
 - ↳ [SET CLOCK] (set clock) is displayed briefly. Then the hour digits are displayed and begin to blink.

Note

- In Eco Power Standby mode, press **CLOCK** to show clock first, then press and hold **CLOCK** to proceed clock setting.

- 2 Press **■** repeatedly to select 12 hour or 24 hour format.
- 3 Press **VOL +/-** to set the hour.
- 4 Press **CLOCK/DISPLAY** to confirm.
 - ↳ The minute digits are displayed and begin to blink.
- 5 Press **VOL +/-** to set the minute.
- 6 Press **CLOCK/DISPLAY** to confirm.

Turn on

- 1 Press **POWER** on the main unit.
 - ↳ The unit switches to the last selected source.

Switch to standby

- 1 Press **POWER** to switch the unit to standby mode.
 - ↳ The backlight on the display panel turns off.
 - ↳ The clock (if set) appears on the display panel.

Note

- If no button is pressed over 15 minutes in Standby mode, the unit goes to Eco Power Standby mode automatically and the backlight on the display turns off.

4 Play

Play disc

- 1 Press **DISC** to select the disc source.
- 2 Press **▲** on the front panel to open the disc tray.
- 3 Insert a disc with the printed side facing up, then close the disc tray.
 - ↳ Play starts automatically.
 - To pause/resume play, press **▶||**.
 - To stop play, press **■**.
 - For MP3/WMA disc: to select an album, press **ALBUM/PRESET +/-**.
 - To skip to a track, press **◀/▶**.
 - To search within a track, press and hold **◀◀/▶▶**. Release to resume normal play.

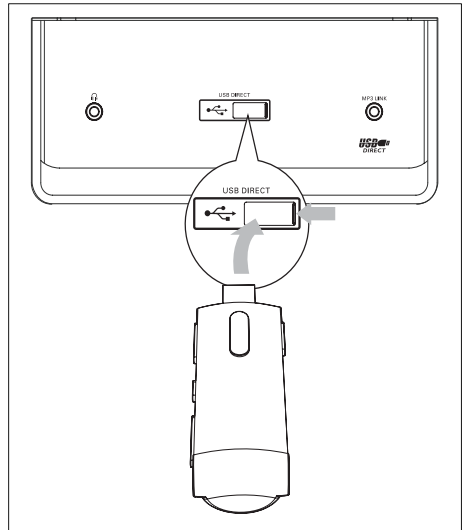
Play from USB

Note

- Ensure that the USB device contains playable audio content.

- 1 Flip open the USB socket cover on the front panel.

- 2 Insert the USB plug of a USB device into the socket.



- 3 Press **USB** to select the USB source.
 - ↳ The total number of tracks is displayed.
 - ↳ Play starts automatically.
 - To pause/resume play, press **▶||**.
 - To stop play, press **■**.
 - To select an album, press **ALBUM/PRESET +/-**.
 - To skip to a track, press **◀/▶**.
 - To search within a track, press and hold **◀◀/▶▶**. Release to resume normal play.

5 Play options

Repeat and random play

- 1 Press **MODE** repeatedly to select:
 - [REP] (repeat): the current track is played repeatedly.
 - [REP ALL] (repeat all): all tracks are played repeatedly.
 - [SHUF] (shuffle): all tracks are played randomly.
 - [REP ALL SHUF] (repeat all shuffle): all tracks are played repeatedly in random order.
- 2 To return to normal play, press **MODE** repeatedly until play mode is no longer displayed.



Tip

- Shuffle play cannot be selected when you play programmed tracks.

- To erase the program, in the stop position, press **■**.
- To review the program, in the stop position, press and hold **PROG** for more than 2 seconds.

Display play information

- 1 During play, press **CLOCK/DISPLAY** repeatedly to select different play information.

Program tracks

You can program a maximum of 20 tracks.

- 1 At CD/USB mode, at the stop position, press **PROG** to activate the program mode.
 - ↳ [PROG] (program) blinks on the display.
- 2 For MP3/WMA tracks, press **ALBUM/PRESET +/-** to select an album.
- 3 Press **◀▶** to select a track number, then press **PROG** to confirm.
- 4 Repeat steps 2 to 3 to program more tracks.
- 5 Press **▶||** to play the programmed tracks.
 - ↳ During play, [PROG] (program) is displayed.

6 Listen to the radio

Tune to a radio station

Note

- For optimal reception, fully extend and adjust the position of the FM antenna.
- The unit does not support MW radio reception.

- 1 Press **TUN** to select the tuner source.
- 2 Press and hold **◀▶** for more than 2 seconds.
 - ↳ [SEARCH] (search) is displayed.
 - ↳ The radio tunes to a station with strong reception automatically.
- 3 Repeat step 2 to tune to more stations.
 - To tune to a weak station, press **◀▶** repeatedly until you find optimal reception.

Program radio stations automatically

Note

- You can program a maximum of 40 preset radio stations.

- 1 In tuner mode, press and hold **PROG** for 2 seconds to activate automatic program mode.
 - ↳ [AUTO] (auto) is displayed.
 - ↳ All available stations are programmed in the order of waveband reception strength.
 - ↳ The first programmed radio station is broadcast automatically.

Program radio stations manually

Note

- You can program a maximum of 40 preset radio stations.

- 1 Tune to a radio station.
- 2 Press **PROG** to activate program mode.
 - ↳ [PROG] (program) blinks on the display.
- 3 Press **ALBUM/PRESET +/-** to allocate a number (1 to 40) to this radio station, then press **PROG** to confirm.
 - ↳ The preset number and the frequency of the preset station are displayed.
- 4 Repeat the above steps to program other stations.

Note

- To overwrite a programmed station, store another station in its place.

Select a preset radio station

- 1 In tuner mode, press **ALBUM/PRESET +/-** to select a preset number.

Show RDS information

RDS (Radio Data System) is a service that allows FM stations to show additional information. If you tune to a RDS station, a RDS icon and the station name are displayed.

- 1 Tune to a RDS station.
- 2 Press **RDS** repeatedly to scroll through the following information (if available):
 - ↳ Station name

- ↳ Program type such as **[NEWS]** (news), **[SPORT]** (sport), **[POP M]** (pop music)...
- ↳ Radio text messages
- ↳ Frequency

Note

- The definitions of RDS program types are available (see 'RDS program types' on page 18).

Set clock with RDS

You can set the clock automatically with time signals that are broadcast together with some RDS radio stations.

- 1** Tune to a RDS radio station that transmits time signals.
- 2** Press and hold **RDS** for more than 2 seconds.
 - ↳ The unit reads the RDS time and sets the clock automatically.

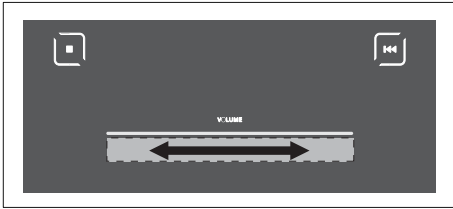
Note

- The accuracy of the transmitted time depends on the RDS station that transmits the time signal.

7 Adjust sound

Adjust volume

- 1 During play, to adjust volume:
 - On the remote control: press **VOL +/-**.
 - On the main unit: slide across the volume control on the front panel.



Select a preset sound effect

- 1 During play, press **DSC** repeatedly to select:
 - [POP] (pop)
 - [CLASSIC] (classic)
 - [ROCK] (rock)
 - [JAZZ] (jazz)

Enhance bass

- 1 During play, press **DBB** to turn on or off dynamic bass enhancement.
 - ↳ If DBB is activated, DBB is displayed.

Mute sound

- 1 During play, press **MUTE** to mute/unmute sound.

8 Other features

Set the sleep timer

This unit can switch to standby automatically after a set period of time.

- 1 When the unit is turned on, press **SLEEP** repeatedly to select a set period of time (in minutes).
 - ↳ When sleep timer is activated, the display shows „zZ“.

To deactivate sleep timer

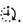

- 1 Press **SLEEP** repeatedly until “SLEEP OFF” is displayed.
 - ↳ When sleep timer is deactivated, „zZ“ disappears on the display.

Set the alarm timer

This unit can be used as an alarm clock. The DISC, TUNER or USB is activated to play at a preset time.

- 1 Ensure that you have set the clock correctly.
- 2 In standby mode, press and hold **TIMER** for more than 2 seconds.
- 3 Press **DISC**, **TUN** or **USB** to select a source.
- 4 Press **TIMER** to confirm.
 - ↳ The hour digits are displayed and begin to blink.
- 5 Press **VOL +/-** to set the hour.
- 6 Press **TIMER** to confirm.
 - ↳ The minute digits are displayed and begin to blink.
- 7 Press **VOL +/-** to set the minute.
- 8 Press **TIMER** to confirm.
 - ↳ The timer is set and activated.

Activate and deactivate the alarm timer

- 1 Press **TIMER** repeatedly to activate or deactivate the timer.
 - ↳ If the timer is activated, the display shows .
 - ↳ If the timer is deactivated,  disappears on the display.



Note

- If DISC/USB source is selected and the track cannot be played, tuner is activated automatically.

Listen to an external device

You can also listen to an external audio device through this unit.


For an audio device with a headphone socket:

- 1 Press **AUX/MP3 LINK** to select the MP3 link source.
- 2 Connect the supplied MP3 link cable to
 - the **MP3 LINK** socket on this unit.
 - the headphone socket on an MP3 player.
- 3 Start to play the MP3 player. (See the user manual of the MP3 player)

For other audio devices:

- 1 Press **AUX/MP3 LINK** to select the AUX source.
- 2 Connect the audio cables to
 - the **LINE IN** sockets on this unit.
 - the audio out sockets on the audio device.
- 3 Start to play the device. (See the device user manual)

Listen through headphone

- 1 Plug a headphone into the  socket on the unit.

9 Product information

Note

- Product information is subject to change without prior notice.

Specifications

Amplifier

Rated Output Power	4X50W RMS
Frequency Response	63 - 14000 Hz, ± 3 dB
Signal to Noise Ratio	>62dB

Disc

Laser Type	Semiconductor
Disc Diameter	12cm/8cm
Support Disc	CD-DA, CD-R, CD-RW, MP3-CD, WMA-CD
Audio DAC	24Bits / 44.1kHz
Total Harmonic Distortion	<1%
Frequency Response	63Hz - 14kHz
S/N Ratio	>65dBA

Tuner (FM)

Tuning Range	87.5 - 108 MHz
Tuning grid	50 KHz
Sensitivity	
- Mono, 26dB S/N Ratio	<22 dBu
Search Selectivity	<28 dBu
Total Harmonic Distortion	<3%
Signal to Noise Ratio	>45 dB

Speakers

Speaker Impedance	6ohm
-------------------	------

General information

AC power	220 - 230V, 50Hz
Operation Power Consumption	42W
Standby Power Consumption	<20W
Eco Standby Power Consumption	<0.8W
Dimensions	
- Main Unit (W x H x D)	173 x 257 x 240mm
- Speaker Box (W x H x D)	173 x 257 x 240mm
Weight	
- With Packing	10.8 kg
- Main Unit	2.3 kg
- Speaker Box	2 x 2.8 kg

USB playability information

Compatible USB devices:

- USB flash memory (USB 2.0 or USB1.1)
- USB flash players (USB 2.0 or USB1.1)

- memory cards (requires an additional card reader to work with this MCM355)

Supported formats:

- USB or memory file format FAT12, FAT16, FAT32 (sector size: 512 bytes)
- MP3 bit rate (data rate): 32-320 Kbps and variable bit rate
- WMA v9 or earlier
- Directory nesting up to a maximum of 8 levels
- Number of albums/ folders: maximum 99
- Number of tracks/titles: maximum 999
- ID3 tag v2.0 or later
- File name in Unicode UTF8 (maximum length: 128 bytes)

Unsupported formats:

- Empty albums: an empty album is an album that does not contain MP3/WMA files, and is not be shown in the display.
- Unsupported file formats are skipped. For example, Word documents (.doc) or MP3 files with extension .dlf are ignored and not played.
- AAC, WAV, PCM audio files
- DRM protected WMA files (.wav, .m4a, .m4p, .mp4, .aac)
- WMA files in Lossless format

Supported MP3 disc formats

- ISO9660, Joliet
- Maximum title number: 512 (depending on file name length)
- Maximum album number: 255
- Supported sampling frequencies: 32 kHz, 44.1kHz, 48 kHz
- Supported Bit-rates: 32~256 (kbps), variable bit rates

RDS program types

NO TYPE	No RDS programme type
NEWS	News services
AFFAIRS	Politics and current affairs
INFO	Special information programs
SPORT	Sports
EDUCATE	Education and advanced training
DRAMA	Radio plays and literature
CULTURE	Culture, religion and society
SCIENCE	Science
VARIED	Entertainment programs
POP M	Pop music
ROCK M	Rock music
MOR M	Light music
LIGHT M	Light classical music
CLASSICS	Classical music
OTHER M	Special music programs
WEATHER	Weather
FINANCE	Finance
CHILDREN	Children's programs
SOCIAL	Social Affairs
RELIGION	Religion
PHONE IN	Phone In
TRAVEL	Travel
LEISURE	Leisure
JAZZ	Jazz Music
COUNTRY	Country Music
NATION M	National Music
OLDIES	Oldies Music
FOLK M	Folk Music
DOCUMENT	Documentary
TES	Alarm Test
ALARM	Alarm

10 Troubleshooting

Caution

- Never remove the casing of this apparatus.

To keep the warranty valid, never try to repair the system yourself.

If you encounter problems when using this apparatus, check the following points before requesting service. If the problem remains unsolved, go to the Philips web site (www.philips.com/welcome). When you contact Philips, ensure that the apparatus is nearby and the model number and serial number are available.

No power

- Ensure that the AC power plug of the unit is connected properly.
- Ensure that there is power at the AC outlet.
- To save power, the system switches off automatically 15 minutes after track play reaches the end and no control is operated.

No sound or poor sound

- Adjust the volume.
- Check that the speakers are connected correctly.
- Check if the stripped speaker wires are clamped.

Left and right sound outputs reversed

Check the speaker connections and location.

No response from the unit

- Disconnect and reconnect the AC power plug, then turn on the system again.
- As a power-saving feature, the unit switches off automatically 15 minutes after track play reaches the end and no control is operated.

Remote control does not work

- Before you press any function button, first select the correct source with the remote control instead of the main unit.

- Reduce the distance between the remote control and the unit.
- Insert the battery with its polarities (+/- signs) aligned as indicated.
- Replace the battery.
- Aim the remote control directly at the sensor on the front of the unit.

No disc detected

- Insert a disc.
- Check if the disc is inserted upside down.
- Wait until the moisture condensation at the lens has cleared.
- Replace or clean the disc.
- Use a finalized CD or correct format disc.

Poor radio reception

- Increase the distance between the unit and your TV or VCR.
- Fully extend the FM antenna.
- Connect an outdoor FM antenna instead.

Timer does not work

- Set the clock correctly.
- Switch on the timer.

Clock/timer setting erased

- Power has been interrupted or the power plug has been disconnected.
- Reset the clock/timer.

