

Register your product and get support at

www.philips.com/welcome

MCD780



User manual

3

用户手册

31

PHILIPS

Contents

1 Important	4
Safety	4
2 Your DVD Micro Theater	6
Introduction	6
What's in the box	6
Overview of the main unit	7
Overview of the remote control	8
3 Connect	10
Place the unit	10
Connect speakers	10
Connect FM antenna	10
Connect video/audio cables	11
Connect power	12
4 Get started	12
Prepare the remote control	12
Set clock	13
Activate demonstration mode	13
Turn on	13
Find the correct viewing channel	13
Select the correct TV system	14
Change system menu language	14
5 Play	14
Play a disc	14
Play from USB or recorded discs	15
Play a slideshow	16
Play control	16
Play options	16
Picture view options	17
Play audio from an external device	17
6 Listen to radio	18
Store radio stations automatically	18
Tune to a radio station	18
Program radio stations	19
Tune to a preset radio station	19
7 Adjust sound	19
Adjust volume level	19
Select a sound effect	19
Mute sound	19
8 Adjust settings	20
General setup	20
Audio setup	20
Video setup	21
Preference setup	22
9 Other features	23
Adjust brightness of display panel	23
Set the sleep timer	23
Set the alarm timer	23
Listen to an audio player	24
Listen through headphone	24
10 Product information	25
Specifications	25
Supported disc formats	26
USB playability information	26
11 Troubleshooting	27
12 Notice	29

1 Important

Safety



This 'bolt of lightning' indicates uninsulated material within your unit may cause an electrical shock. For the safety of everyone in your household, please do not remove product covering.

The 'exclamation point' calls attention to features for which you should read the enclosed literature closely to prevent operating and maintenance problems.

WARNING: To reduce the risk of fire or electric shock, this apparatus should not be exposed to rain or moisture and objects filled with liquids, such as vases, should not be placed on this apparatus.

CAUTION: To prevent electric shock, match wide blade of plug to wide slot, fully insert.

Important Safety Instructions

- Follow all instructions.
- Heed all warnings.
- Do not use this apparatus near water.
- Clean only with dry cloth.
- Do not block any ventilation openings. Install in accordance with the manufacturer's instructions.
- Do not install near any heat sources such as radiators, heat registers, stoves, or other apparatus (including amplifiers) that produce heat.
- Protect the power cord from being walked on or pinched, particularly at plugs, convenience receptacles, and the point where they exit from the apparatus.
- Only use attachments/accessories specified by the manufacturer.
- Use only with the cart, stand, tripod, bracket, or table specified by the manufacturer or sold with the apparatus. When a cart is used, use caution when moving the cart/apparatus combination to avoid injury from tip-over.



- Unplug this apparatus during lightning storms or when unused for long periods of time.
- Refer all servicing to qualified service personnel. Servicing is required when the apparatus has been damaged in any way, such as power-supply cord or plug is damaged, liquid has been spilled or objects have fallen into the apparatus, the apparatus has been exposed to rain or moisture, does not operate normally, or has been dropped.
- Battery usage **CAUTION** – To prevent battery leakage which may result in bodily injury, property damage, or damage to the unit:
 - Install all batteries correctly, + and - as marked on the unit.
 - Do not mix batteries (old and new or carbon and alkaline, etc.).
 - Remove batteries when the unit is not used for a long time.
- Apparatus shall not be exposed to dripping or splashing.

- Do not place any sources of danger on the apparatus (e.g. liquid filled objects, lighted candles).
- Where the MAINS plug or an appliance coupler is used as the disconnect device, the disconnect device shall remain readily operable.



Warning

- Never remove the casing of this apparatus.
- Never lubricate any part of this apparatus.
- Never place this apparatus on other electrical equipment.
- Keep this apparatus away from direct sunlight, naked flames or heat.
- Never look into the laser beam inside the apparatus.
- Ensure that you always have easy access to the power cord, plug or adapter to disconnect the apparatus from the power.



Caution

- Use of controls or adjustments or performance of procedures other than herein may result in hazardous radiation exposure or other unsafe operation.

Hearing safety

Listen at a moderate volume.

- Using headphones at a high volume can impair your hearing. This product can produce sounds in decibel ranges that may cause hearing loss for a normal person, even for exposure less than a minute. The higher decibel ranges are offered for those that may have already experienced some hearing loss.
- Sound can be deceiving. Over time your hearing 'comfort level' adapts to higher volumes of sound. So after prolonged listening, what sounds 'normal' can actually be loud and harmful to your hearing. To guard against this, set your volume to a safe level before your hearing adapts and leave it there.

To establish a safe volume level:

- Set your volume control at a low setting.
- Slowly increase the sound until you can hear it comfortably and clearly, without distortion.

Listen for reasonable periods of time:

- Prolonged exposure to sound, even at normally 'safe' levels, can also cause hearing loss.
- Be sure to use your equipment reasonably and take appropriate breaks.

Be sure to observe the following guidelines when using your headphones.

- Listen at reasonable volumes for reasonable periods of time.
- Be careful not to adjust the volume as your hearing adapts.
- Do not turn up the volume so high that you can't hear what's around you.
- You should use caution or temporarily discontinue use in potentially hazardous situations. Do not use headphones while operating a motorized vehicle, cycling, skateboarding, etc.; it may create a traffic hazard and is illegal in many areas.

2 Your DVD Micro Theater

Congratulations on your purchase, and welcome to Philips! To fully benefit from the support that Philips offers, register your product at www.philips.com/welcome.

Introduction

With this apparatus, you can:

- Watch video from DVD/VCD/SVCD, or USB storage devices
- Enjoy audio from discs, iPod/iPhone, or USB storage devices
- View pictures from discs or USB storage devices
- Listen to FM radio

You can enrich sound output with these sound effects:


- Bass/treble enhancement
- Automatic loudness control (LOUDNESS)

The unit supports these media/disc formats:



Region code

This player can play discs with the following region code.

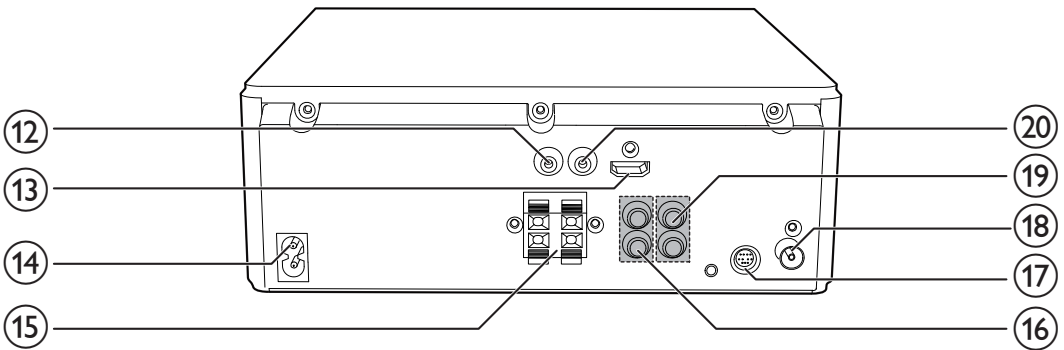
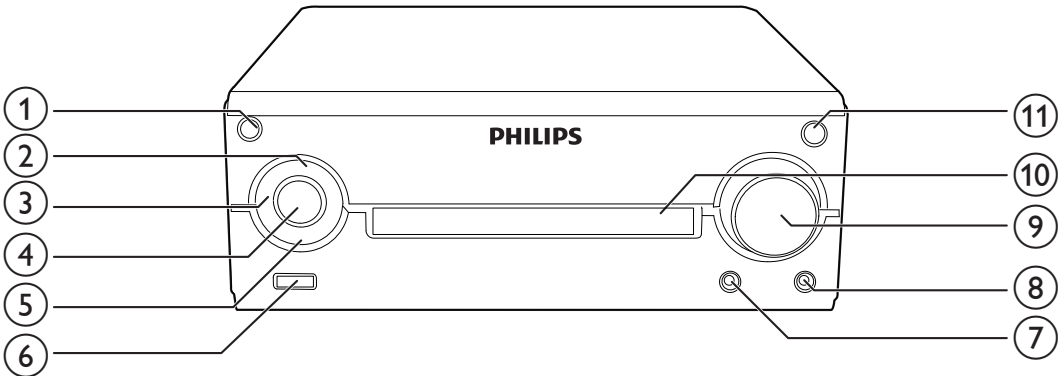
DVD region code	Countries
	China

What's in the box

Check and identify the contents of your package:

- Main unit
- 2 speakers
- Remote control (with batteries)
- Composite video cable (yellow)
- Power cord
- FM wire antenna
- User manual
- Quick start guide

Overview of the main unit



① 

- Turn on the device.
- Switch to standby mode or Eco Power standby mode.

② **SRC**

- Select a source.

③ 

- Skip to the previous/next track.
- Search for radio stations.
- Select programmed radio station.
- Adjust time.

④ 

- Start or pause play.

⑤ 

- Stop play.
- Erase a programmed radio station.
- In standby mode, activate or deactivate demonstration mode.

⑥ 

- USB socket.

⑦ **MP3 LINK**

- Jack for an external audio device.

⑧ 

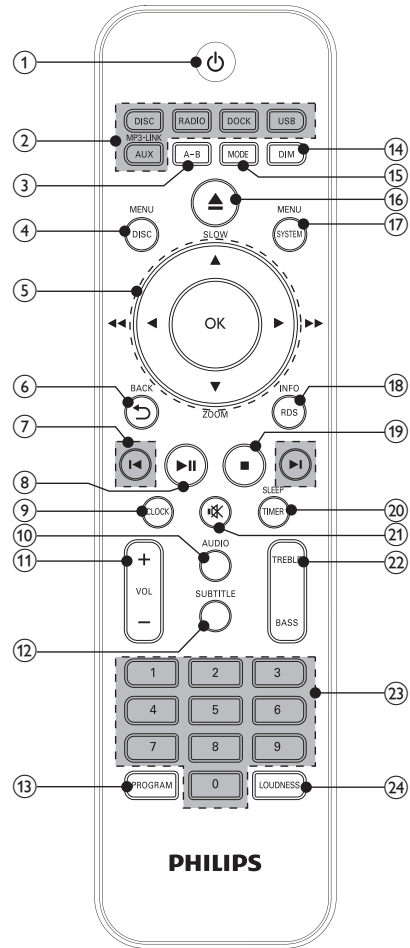
- Headphone socket.

⑨ **VOLUME**

- Adjust volume.
- Adjust time.

- ⑩ **Disc compartment**
- ⑪ ▲
 - Open or close the disc compartment.
- ⑫ **COAXIAL (DIGITAL OUT)**
 - Digital out jack.
- ⑬ **HDMI (DIGITAL AV OUT)**
 - Connect an HDMI cable.
- ⑭ **AC MAIN~**
 - Power supply socket.
- ⑮ **SPEAKER OUT**
 - Connect speakers.
- ⑯ **LINE OUT**
 - Connect audio cables.
- ⑰ **DOCKING**
 - Connect docking device.
- ⑱ **FM ANTENNA**
 - Improve FM reception
- ⑲ **AUX-IN**
 - Connect an external audio device.
- ⑳ **VIDEO (VIDEO OUT)**
 - Video output jack.

Overview of the remote control

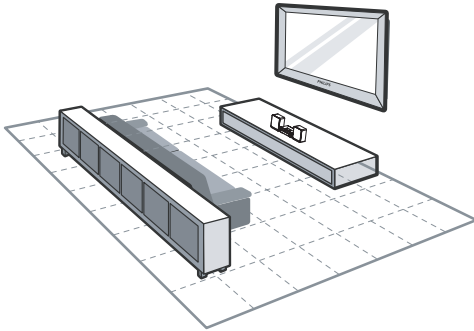


- ① **⏻**
 - Turn on the device.
 - Switch to standby mode or Eco Power standby mode.
- ② **DISC / RADIO / DOCK / USB / MP3-LINK/AUX**
 - Select a source.
- ③ **A-B**
 - Repeat a specific section within a track/chapter.

- ④ **DISC MENU**
- Access the main menu of the disc.
- ⑤ **▲ / ▼ / ◀ / ▶ (◀◀ / ▶▶) / OK**
- Navigate through the menus.
 - Press ▲ / ▼ to slow backward/forward.
 - Press ▲ / ▼ to select programmed radio stations in tuner mode.
 - Press ▲ / ▼ / ◀ / ▶ to rotate a picture during slideshow.
 - Press ◀ / ▶ (◀◀ / ▶▶) to fast backward/forward.
 - Long press ▼ (**ZOOM**) to zoom in/out.
 - Press **OK** to confirm a selection or entry.
- ⑥ **↶ BACK**
- Return to previous display menu.
 - In dock mode, enter the menu list.
- ⑦ **◀ / ▶**
- Skip to previous or next title, chapter, track, or file.
 - In tuner mode, select programmed radio stations.
- ⑧ **▶ ||**
- Start, pause, or resume play.
- ⑨ **CLOCK**
- Set the clock.
- ⑩ **AUDIO**
- Select an audio language or channel.
- ⑪ **VOL +/-**
- Adjust the volume.
 - Adjust the time.
- ⑫ **SUBTITLE**
- Select a subtitle language.
- ⑬ **PROGRAM**
- Program radio stations.
- ⑭ **DIM**
- Select different levels of brightness.
- ⑮ **MODE**
- In DISC/USB mode, select repeat play or random play.
 - In DOCK mode, select repeat play only.
- ⑯ **▲**
- Open or close the disc compartment.
- ⑰ **SYSTEM MENU**
- Go to the system menu.
- ⑱ **RDS/INFO**
- Show RDS information (not applicable for this model).
 - Show the disc information such as title, chapter, subtitle, time elapsed, total time, etc.
- ⑲ **■**
- Stop play.
 - Erase a programmed radio station.
 - Activate/deactivate the demonstration mode.
- ⑳ **TIMER/SLEEP**
- Set alarm timer.
 - Set sleep timer.
- ㉑ **✳**
- Mute or restore volume.
- ㉒ **TREBLE/BASS**
- Increase/decrease the treble/bass level.
- ㉓ **Numeric buttons**
- Select a title/chapter/track to play.
 - Select a preset number.
- ㉔ **LOUDNESS**
- Turn on/off loudness control.

3 Connect

Place the unit



- 1 Place the DVD micro theater near TV.
- 2 Place the left and right speakers at equal distance from the TV and at an angle of approximately 45 degrees from the listening position.



Note

- To avoid magnetic interference or unwanted noise, never place this apparatus and speakers too close to any radiation devices.
- Place this unit on top of a table or mount it on the wall.
- Never place this unit in an enclosed cabinet.
- Install this unit near the AC outlet where the AC power plug can be easily reached.

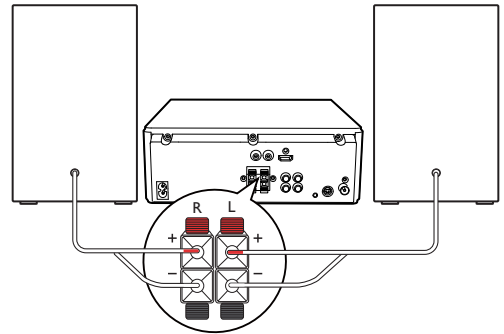
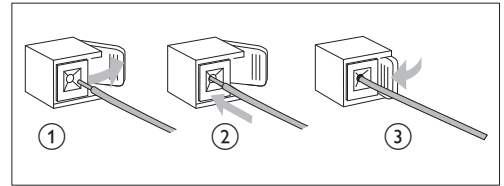
Connect speakers



Note

- Ensure that the colors of the speaker wires and terminals are matched.
- For optimal sound, use the supplied speakers only.
- Connect only speakers with impedance that is the same or higher than the supplied speakers. Refer to the Specifications section of this manual.

- 1 Hold down the socket flap.
- 2 Insert the stripped part of the wire completely.
 - Insert the right speaker wires to "R", left speaker wires to "L".
 - Insert the red wires to "+", white wires to "-".
- 3 Release the socket flap.



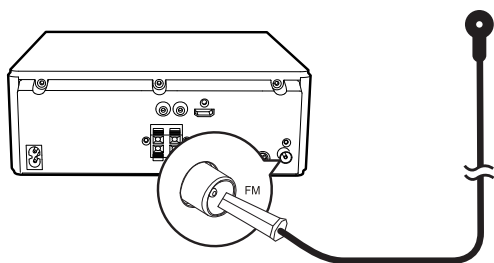
Connect FM antenna



Tip

- For optimal reception, fully extend and adjust the position of the antenna.
- For better FM stereo reception, connect an outdoor FM antenna to the **FM ANTENNA** jack.
- The unit does not support MW radio reception.

Connect the supplied FM antenna to the **FM ANTENNA** socket on the unit.



Connect video/audio cables

Select the best video connection that the TV can support.

- **Option 1:** Connect to the HDMI jack (for an HDMI, DVI or HDCP-compliant TV).
- **Option 2:** Connect to the composite video jack (for a standard TV).

Option 1: HDMI jack

Connect an HDMI cable (not supplied) to:

- the **HDMI (DIGITAL AV OUT)** jack on this product.
- the HDMI input jack on the TV.

Tip

- If the TV has a DVI connector only, connect via an HDMI/DVI adaptor. Connect an audio cable for sound output.
- If this product connects to a TV compatible with 1080p or 1080p/24Hz, Philips recommends HDMI category 2 cable, also known as High Speed HDMI cable, for optimal video and audio output.
- This type of connection provides the best picture quality.

Option 2: Composite video jack

Connect a composite video cable to:

- the **VIDEO (VIDEO OUT)** jack on this unit.
- the VIDEO input jack on the TV.

Tip

- The video input jack on the TV might be labeled as AV IN, VIDEO IN, COMPOSITE or BASEBAND.

Route audio to other devices

You can route the audio from this product to other devices.

Connect an HDMI cable (not supplied) to:

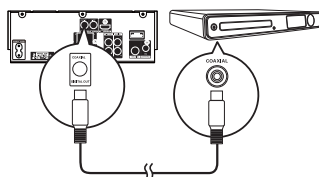
- the **HDMI (DIGITAL AV OUT)** jack on this unit.
- the HDMI jack input jack on the device.

Tip

- The HDMI connection provides the best audio quality.

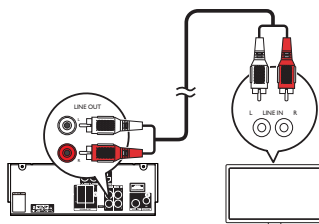
Connect a coaxial cable (not supplied) to:

- the **COAXIAL (DIGITAL OUT)** jack on this unit.
- the COAXIAL/DIGITAL input jack on the device.



Connect the audio cables to:

- the **LINE OUT-L/R** jacks on this unit. the AUDIO input jacks on the device.



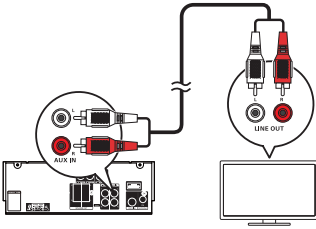
Route audio from other devices

Route audio from TV or other devices

Use this product to play audio from the TV or other device such as a cable box.

Press **MP3-LINK/AUX** to select the audio output of your connection.

4 Get started



Connect an external device

You can listen to an audio player through this unit.

Connect the MP3 link cable to

- the **MP3 LINK** jack of this unit
- the audio output jack (usually headphone jack) of the external device.

Connect power

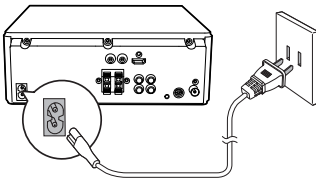


Caution

- Risk of product damage! Ensure that the power supply voltage corresponds to the voltage printed on the back or the underside of the unit.
- Before connecting the AC power cord, ensure you have completed all other connections.

Connect the AC power cord to:

- the power socket on the back of the unit.
- the wall outlet.



Caution

- Use of controls or adjustments or performance of procedures other than herein may result in hazardous radiation exposure or other unsafe operation.

Always follow the instructions in this chapter in sequence.

If you contact Philips, you will be asked for the model and serial number of this apparatus. The model number and serial number are on the bottom of the apparatus. Write the numbers here:

Model No. _____

Serial No. _____

Prepare the remote control

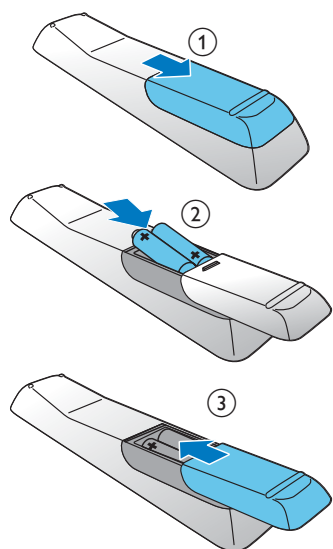


Caution

- Risk of explosion! Keep batteries away from heat, sunshine or fire. Never discard batteries in fire.

To insert the remote control battery:

- 1 Open the battery compartment.
- 2 Insert 2 AAA batteries with correct polarity (+/-) as indicated.
- 3 Close the battery compartment.



Note

- If you are not going to use the remote control for a long time, remove the batteries.
- Do not use old and new or different types of batteries in combination.
- Batteries contain chemical substances, so they should be disposed of properly.

Set clock

- 1 In standby mode, press and hold **CLOCK** for over 3 seconds.
↳ **[12HR]** or **[24HR]** begins to blink.
- 2 Press **+VOL -** repeatedly to select 12/24 hour format, and then press **CLOCK** to confirm.
↳ The hour digits are displayed and begin to blink.
- 3 Press **+VOL -** repeatedly to set hour; and then press **CLOCK** to confirm.
↳ The minute digits are displayed and begin to blink.
- 4 Repeat step 3 to set minute.

Activate demonstration mode

You can see an overview of all features. In standby mode with clock display (if set), press **■** to activate the demonstration mode.

- ↳ A demonstration of major available features starts.
- To deactivate the demonstration mode, press **■** again.

Turn on

Press **⏻**.

- ↳ The unit switches to the last selected source.

Switch to Eco Power standby mode

Press and hold **⏻** for over 3 seconds to switch the unit to Eco Power standby mode.

- ↳ The backlight on the display panel turns off.
- ↳ The red Eco power indicator turns on

To switch the unit to standby mode:

In Eco Power standby mode, press and hold **⏻** for over 3 seconds.

- ↳ The clock (if set) appears on the display panel.
- ↳ The red Eco Power indicator turns off.

Tip

- If the system remains in standby mode for more than 90 seconds, it switches to the Eco Power mode automatically.

Find the correct viewing channel

- 1 Press **⏻** to turn on the unit.
- 2 Press **DISC** to switch to disc mode.

- 3 Turn on the TV and switch to the correct video-in channel in one of the following ways:
- Go to the lowest channel on your TV, and then press the Channel Down button until you see the blue screen.
 - Press the source button repeatedly on the remote control of your TV.



Tip

- The video-in channel is between the lowest and highest channels and may be called FRONT, A/V IN, VIDEO etc. See the TV user manual on how to select the correct input on the TV.

Select the correct TV system

Change this setting if the video does not appear correctly. By default, this setting matches the most common setting for TVs in your country.

- 1 Press **SYSTEM MENU**.
- 2 Select **[Video Setup]**.
- 3 Select **[TV Type]** and then press **▶**.
- 4 Select a setting and then press **OK**.
 - **[PAL]** - For TV with PAL color system.
 - **[Multi]** - For TV that is compatible with both PAL and NTSC.
 - **[NTSC]** - For TV with NTSC color system.
- 5 To exit the menu, press **SYSTEM MENU**.

Change system menu language

- 1 Press **SYSTEM MENU**.
- 2 Select **[General Setup]**.
- 3 Select **[OSD language]** and then press **▶**.
- 4 Select a setting and then press **OK**.
- 5 To exit the menu, press **SYSTEM MENU**.

5 Play



Note

- With some disc/file types, play may differ.

Play a disc



Caution

- Never look at the laser beam inside the unit.
- Risk of product damage! Never play discs with accessories such as disc stabilizer rings or disc treatment sheets.
- Never put any objects other than discs into the disc compartment.

- 1 Press **DISC** to select the DISC source.
- 2 Press **▲** to open the disc tray.
- 3 Place a disc with the printed side facing upward.
- 4 Press **▲** to close the disc tray.
 - ↳ Play starts automatically.
 - To stop play, press **■**.
 - To pause or resume play, press **▶||**.
 - To skip to the previous/next title/ chapter/track, press **◀|▶** (or **◀◀|▶▶** on the main unit).

If play does not start automatically:

Select a title/chapter/track and then press **▶||**.



Tip

- To play a locked DVD, enter the 6-digit (000000) parental control password.

Use the disc menu

When you load a DVD/(S)VCD disc, a menu may be displayed on the TV screen.

To access or exit the menu manually:
Press **DISC MENU**.

For VCD with PlayBack Control (PBC) feature (version 2.0 only):

With the PBC feature, you can play VCD interactively according to the menu screen.

During play, press **DISC MENU** to enable/disable PBC.

- ↳ When PBC is enabled, the menu screen is displayed.
- ↳ When PBC is disabled, normal play is resumed.

Select an audio language

You can select an audio language on VCDs, DVDs or DivX video.

During disc play, press **AUDIO**.

- ↳ The language options appear. If the selected audio channels is unavailable, the default disc audio channel is used.

Note

- For some DVDs, the language can only be changed from the disc menu. Press **DISC MENU** to access the menu.

Select a subtitle language

You can select a subtitle language on DVDs or DivX® discs.

During play, press **SUBTITLE**.

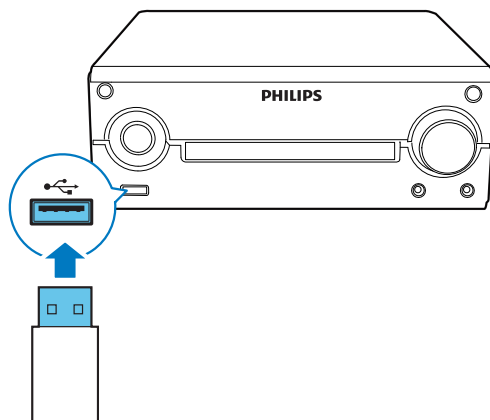
Note

- For some DVDs, the subtitle language can only be changed from the disc menu. Press **DISC MENU** to access the menu.

Play from USB or recored discs

You can play DivX (Ultra)/MP3/WMA/JPEG picture files copied onto a CD-R/RW, recordable DVD or USB storage device.

- 1 Select a source.
 - For a USB storage device, press **USB**.
 - For a disc, press **DISC**.
- 2 Insert the USB storage device or disc.
 - ↳ The play starts automatically.



To select a specified file for play,

- 1 Press **■** to stop play.
- 2 Press **▲** / **▼** to select a folder; and then press **OK** to confirm.
 - To return to the upper-level directory, press **▲** / **▼** to select **⏪**, and then press **OK**.
- 3 Press **▲** / **▼** to select a file from the folder.
- 4 Press **▶▶** to start play.
 - To pause or resume play, press **▶||**.
 - To skip to the previous/next file, press **◀/▶** (or **◀◀/▶▶** on the main unit).
 - To change the subtitle language during the play of a DivX (Ultra) video, press **SUBTITLE**.

Note

- You can only play DivX (Ultra) videos rented or purchased through the DivX registration code of this unit.
- Subtitle files with the following filename extensions (.srt, .smi, .sub, .ssa, .ass) are supported but do not appear on the file navigation menu.
- The subtitle filename has to be the same as the file name of the video.

Play a slideshow

- 1 Press navigate buttons to select a photo in the folder/album.
- 2 Press **OK** to start the slideshow.
 - ↳ Slideshow begins and continues till the end of the photo folder or album.
 - To return to the menu, press **↶** **BACK**.
 - To stop the slideshow, press **■**.

Play control

Select repeat/shuffle play options

During play, press **MODE** repeatedly to select a repeat option or the shuffle play mode.

- To resume normal play, press **MODE** repeatedly until no option is displayed.

Repeat A-B (DVD/VCD/CD/MP3/WMA)

- 1 During music or video play, press **A-B** at the start point.
- 2 Press **A-B** at the end point.
 - ↳ The selected section starts to play repeatedly.
 - To cancel repeat play, press **A-B** again.

Note

- The section A and B can be set only within the same track/title.

Search forward/backward

During play, press **◀/▶** (**◀◀/▶▶**) repeatedly to select a search speed.

- To resume play at normal speed, press **▶||**.

Resume video play from last stopped point

Note

- This feature is only available for CD/DVD/VCD/DivX play.

In stop mode and when the disc has not been removed, press **▶||**.

To cancel resume mode and stop play completely:

In stop mode, press **■**.

Play options

Display play information

During play, press **RDS/INFO** repeatedly to display play information.

Zoom in/out image

During video play, press and hold **▼** (**ZOOM**) to zoom in/out the image.

↳ Zoom in: 2x, 3x, 4x

↳ Zoom out: 1/2, 1/3, 1/4

- When the image is zoomed in, you can press **▲/▼/◀/▶** to pan through the image.

- When 1/4 is displayed, press and hold ▼ again to resume normal play.

Slow-motion play

During video play, press ▲ / ▼ repeatedly to select a slow backward/forward speed.

↳ The sound is muted.

- To resume play at normal speed, press ►||.

Change the audio channel

Note

- This feature is only available for VCDs videos.

During play, press **AUDIO** repeatedly to select an audio channel available on the disc:

- Mono Left
- Mono Right
- Stereo

Picture view options

Select a slide show play mode

During play, press **MODE** repeatedly to select a slide-show play mode.

Rotate picture

During play, press ▲ / ▼ / ◀ / ▶ to rotate a picture.

Play audio from an external device

You also can play music from your iPod/iPhone through the DVD Micro Music System with a docking device (not supplied).

Note

- No audio output from the headphone jack in this situation.

Compatible iPod/iPhone

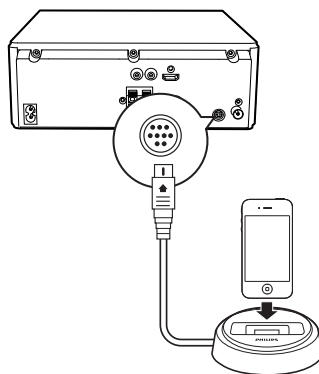
The compatible iPod/iPhone models depend on external dock component.

Tip

- For detailed external dock compartment, you can refer to Philips DCK3060 or DCK3061 models.

Connect to a docking device (optional)

- 1 Connect the docking device (not supplied) into the **DOCKING** socket on the back of the unit.
- 2 Insert your iPod/iPhone into the docking device.



Play audio from the iPod/iPhone

Note

- Make sure that your iPod/iPhone has been loaded securely.

- 1 Press **DOCK** to select the DOCK source.
- 2 Play audio on your iPod/iPhone.
 - ↳ The music streams from the speakers.
 - To pause/resume play, press **▶||**.
 - To skip to a track, press **◀|▶** (or **◀◀|▶▶** on the main unit).
 - To navigate the menu: press **↶ BACK** to access the menu, press **▲ / ▼** to select an item, and then press **OK** to confirm.

Charge the iPod/iPhone

When the unit is connected to power, the docked iPod/iPhone begins to charge automatically.

Note

- In Eco standby mode, the Apple device could not be charged.

Remove the iPod/iPhone

Pull the iPod/iPhone out of the dock.

6 Listen to radio

Store radio stations automatically

If no radio station is stored, the unit can store radio stations automatically.

- 1 Press **RADIO**.
 - ↳ **[AUTO INSTALL -- PRESS PLAY -- STOP CANCEL]** (press **▶||** to start automatic installation, or press **■** to cancel) is displayed.
- 2 Press **▶||**.
 - ↳ The unit automatically stores radio stations with sufficient signal strength.
 - ↳ After all available radio stations are stored, the first stored radio station is broadcast automatically.

Tune to a radio station

- 1 In radio mode, press and hold **◀|▶** (**◀◀|▶▶**) (or **◀◀|▶▶** on the main unit) for over 3 seconds.
 - ↳ **[SEARCHING]** (searching) is displayed.
 - ↳ The radio tunes to a station with strong reception automatically.
- 2 Repeat step 1 to tune to more stations.

To tune to a weak station:

press **◀|▶** (or **◀◀|▶▶** on the main unit) repeatedly until you find optimal reception.

Tip

- **[STEREO]** is the default setting for tuner mode.
- In tuner mode, you can press **OK** repeatedly to switch between **[STEREO]** and **[MONO]**. The unit memorizes your setting even if you turn off the unit or turn to other sources.

Program radio stations

Note

- You can program a maximum of 20 preset radio stations.

Program radio stations automatically

In radio mode, press and hold **PROGRAM** for over 3 seconds to activate automatic programming.

- ↳ **[AUTO]** (auto) is displayed.
- ↳ All available stations are programmed in the order of waveband reception strength.
- ↳ The first programmed radio station is broadcast automatically.

Program radio stations manually

- 1 Tune to a radio station.
- 2 Press **PROGRAM** to activate programming.
- 3 Press **◀/▶** (or **◀◀/▶▶** on the main unit) to allocate a number from 1 to 20 to this radio station, and then press **PROGRAM** to confirm.
 - ↳ The preset number and the frequency of the preset station are displayed.
- 4 Repeat the previous steps to program other stations.

Note

- To overwrite a programmed station, store another station in its place.

Tune to a preset radio station

Press **◀/▶** (or **◀◀/▶▶** on the main unit) to select a preset number that you want.

7 Adjust sound

Adjust volume level

During play, press **VOL +/-** to increase/decrease the volume level.

Select a sound effect

Note

- You cannot use different sound effects at the same time.

Adjust bass level

- 1 During play, press **BASS** to enter bass adjustment.
- 2 Press **VOL +/-** to adjust the bass level.

Adjust treble level

- 1 During play, press **TREBLE** to enter treble adjustment.
- 2 Press **VOL +/-** to adjust the treble level.

Select automatic loudness control

The loudness feature enables the system to increase the treble and bass sound effect at low volume automatically (the higher the volume, the lower the treble and bass increase).

During play, press **LOUDNESS** to turn on/off automatic loudness control.

Mute sound

During play, press **⏸** to mute/resume sound.

8 Adjust settings

- 1 Press **SYSTEM MENU**.
- 2 Select a setup page.
- 3 Select an option and then press **▶**.
- 4 Select a setting and then press **OK**.
 - To return to the previous menu, press **◀**.
 - To exit the menu, press **SYSTEM MENU**.

General setup

On the **[General Setup]** page, you can set the following options:

[Disc Lock]

Set play restriction for specific discs. Before you start, place the disc in the disc compartment.

- **[Lock]** – Restrict access to the current disc. You need to enter a password to unlock and play the disc.
- **[Unlock]** – Play all discs.



Tip

- To set or change the password, go to **[Preference Setup] > [Password]**.

[Display Dim]

Change the brightness level of the display panel on this unit.

- **[100%]** – Normal brightness.
- **[70%]** – Medium brightness.
- **[40%]** – Dimmest display.

[OSD Language]

Select the preferred language for on-screen display.

[Screen Saver]

The screen saver protects the TV screen damage due to prolonged exposure to a static image.

- **[On]** – Enable the screen saver.
- **[Off]** – Disable the screen saver.

[Sleep Timer]

Switches to standby automatically after the preset time.

- **[15 mins]**, **[30 mins]**, **[45 mins]**, **[60 mins]**, **[90 mins]**, **[120 mins]** – select the count down time before the apparatus switches to standby.
- **[Off]** – disable sleep mode.

[DivX(R) VOD Code]

Display the DivX® registration code.



Tip

- Enter this DivX registration code when you rent or purchase video from www.divx.com/vod. The DivX videos rented or purchased through the DivX® VOD (Video On Demand) service can be played only on the device to which it is registered.

Audio setup

On the **[Audio Setup]** page, you can set the following options:

[HDMI Audio]

When you connect this apparatus and TV with an HDMI cable, select the audio output setting for this connection.

- **[On]** – the sound is output through both your TV and this apparatus. If the audio format on the disc is not supported, it is downmixed to two-channel sound (Linear-PCM).
- **[Off]** – disable audio output from the TV. The sound is only output through this apparatus.

[Audio Sync]

When you play a video disc, set the default delay time for audio output.

- 1) To start, press **OK**.
- 2) Select a speaker delay in the menu, then press **◀/▶** to set the delay time.
- 3) Press **OK** to confirm and exit.

[Night Mode]

Make loud sound level softer and soft sound level louder so that you can watch the DVD movies at a low volume, without disturbing others.

- **[On]** – enjoy quiet viewing at night (DVDs only).
- **[Off]** – enjoy surround sound with its full dynamic range.

Video setup

On the **[Video Setup]** page, you can set the following options:

[TV Type]

Change this setting if the video does not appear correctly. By default, this setting matches the most common setting for TVs in your country.

- **[PAL]** - For PAL-system TV.
- **[Multi]** - For TV that is compatible with both PAL and NTSC.
- **[NTSC]** - For NTSC-system TV.

[TV Display]

The TV format determines the aspect ratio of display according to the type of TV you have connected.



4:3 Pan Scan (PS)

4:3 Letter Box (LB)

16:9 (Wide Screen)

- **[4:3 Pan Scan]** – For 4:3 screen TV: full-height display with the trimmed sides.
- **[4:3 Letter Box]** – For 4:3 screen TV: wide-screen display with black bars on the top and bottom of the screen.
- **[16:9 Wide Screen]** – For wide-screen TV: display ratio 16:9.

[Picture Settings]

Select a predefined set of picture color settings.

- **[Standard]** – Original color setting.
- **[Vivid]** – Vibrant color setting.
- **[Cool]** – Soft color setting.
- **[Personal]** – Customizes the color setting. Set the level of brightness, contrast, sharpness/tint and color saturation, then press **OK**.

[HDMI Setup]

When you connect this apparatus and TV with an HDMI cable, select the best HDMI video setting that your TV supports.

- **[HDMI Video]** – Select a resolution for high definition videos.
- **[Wide Screen Format]** – Select a display format for wide screen videos.
- **[HDMI Deep Color]** – Create vivid images with more color details when the video content is recorded in Deep Color and the TV supports this feature.
- **[EasyLink Setup]** – This unit supports Philips EasyLink which uses the HDMI CEC (Consumer Electronics Control) protocol. You can use a single remote control to control EasyLink compliant devices that are connected through HDMI.
 - **[EasyLink]** - Enable or disable the EasyLink feature.
 - **[One Touch Play]** - After you enable this feature, the connected HDMI CECTV automatically switches to the HDMI input channel when you play a disc.

- **[One Touch Standby]** - After you enable this feature, you can press and hold **⏻** on the remote control of this unit to switch all connected HDMI CEC devices to standby mode simultaneously.
- **[System Audio Control]** – When you play audio that is routed from the connected devices, this unit switches to the corresponding audio source automatically. After you enable this feature, proceed to **[Audio Input Mapping]** to scan and map all the connected devices.
- **[Audio Input Mapping]** - When you map the audio input correctly, this unit switches to the audio from the played device automatically.

Note

- You must turn on the HDMI CEC operations on the TV/devices before you can enjoy the EasyLink controls. See the TV/devices manual for details.
- Philips does not guarantee 100% interoperability with all HDMI CEC compliant devices.

Preference setup

On the **[Preference Setup]** page, you can set the following options:

[Audio]

Select the preferred audio language for disc play.

[Subtitle]

Select the preferred subtitle language for disc play.

[Disc Menu]

Select the preferred disc menu language.

Note

- If the language you have set is not available on the disc, the disc uses its own default language.
- For some discs, the subtitle/audio language can only be changed from the disc menu.

[Parental]

Restricts access to discs that are unsuitable for children. These types of discs must be recorded with ratings.

- 1) Press **OK**.
- 2) Select a rating level, then press **OK**.
- 3) Press the numeric keys to enter the password.

Note

- Rated discs above the level you set in **[Parental]** require a password to be played.
- The ratings are country-dependent. To allow all discs to play, select **'8'**.
- Some discs have ratings printed on them but are not recorded with ratings. This function has no effect on such discs.

[PBC]

Turns on or off the content menu of VCDs/ SVCDs with PBC (playback control) feature.

- **[On]** - display index menu when you load a disc for play.
- **[Off]** - skip the menu and start play from the first title.

[MP3/JPEG Display]

Select to display the folders or display all the files.

- **[View Files]** – display all the files.
- **[View Folders]** – display the folders of MP3/WMA files.

[Password]

Set or change the password for locked discs and play restricted DVDs.

- 1) Press the numeric keys to enter '000000' or your last set password at [**Old Password**] field.
- 2) Enter the new password at [**New Password**] field.
- 3) Enter the new password again at [**Confirm Password**] field.
- 4) Press **OK** to exit the menu.

Note

- If you forget the password, enter '000000' before you set a new password.

[DivX Subtitle]

Select a character set that supports the DivX subtitle.

Note

- Ensure that the subtitle file has the exact same file name as the movie file. If for example the file name of the movie is 'Movie.avi', then you will need to name the text file 'Movie.sub' or 'Movie.srt'.

[Version Info]

Display the software version of this apparatus.

[Default]

Reset all the settings to factory default, except for the password and parental settings.

9 Other features

Adjust brightness of display panel

Press **DIM** repeatedly to select different levels of brightness for the display panel.

Set the sleep timer

This unit can switch to standby mode automatically after a set period.

When the unit is turned on, press **SLEEP/TIMER** repeatedly to select a preset period (in minutes).

- ↳ When the sleep timer is activated, **.zZ** is displayed.

To deactivate the sleep timer

Press **SLEEP/TIMER** repeatedly until [**SLEEP-OFF**] (sleep off) is displayed.

- ↳ When the sleep timer is deactivated, **.zZ** disappears.

Set the alarm timer

This unit can be used as an alarm clock. You can select CD, FM, iPod/iPhone, or USB as alarm source.

Note



- Make sure that you have set the clock correctly.

- 1 In standby mode, press and hold **SLEEP/TIMER** until [**TIMER SET**] (timer set) scrolls on the display.

- 2 Press a source key to select the corresponding source: **DISC**, **TUNER**, **DOCK** or **USB DIRECT**.
- 3 Press **SLEEP/TIMER** to confirm.
 - ↳ The hour digits are displayed and begin to blink.
- 4 Press **VOL +/-** repeatedly to set hour, and then press **SLEEP/TIMER** to confirm.
 - ↳ The minute digits are displayed and begin to blink.
- 5 Repeat step 4 to set minute and adjust volume.
 - ↳ A clock icon appears on the display.

Activate/deactivate alarm timer

In standby mode, press **SLEEP/TIMER** repeatedly.

- ↳ If timer is activated,  is displayed.
- ↳ If timer is deactivated,  disappears.



Tip

- The alarm timer is not available when the source is set as '**MP3 LINK/AUX**'.
- If the CD/USB/iPod/iPhone source is selected but no disc is placed or no USB/iPod/iPhone connected, the unit switches to FM automatically.

Listen to an audio player

You can listen to an external device through this unit.

- 1 Connect an external device.
 - For the external device with red/white audio output sockets:


Connect a red/white audio cable (not supplied) to the **AUX IN L/R** sockets and to the audio output sockets on the external device.

- For the external device with headphone socket:

Connect the MP3 Link cable (not supplied) to the **MP3 LINK** socket and to the headphone socket on the audio player.

- 2 Select the MP3 Link/AUX source.
- 3 Start play on the external device.

Listen through headphone

Plug a headphone into the  socket on the unit.



Note

- No audio output from the headphone jack when you listen to the docked iPod/iPhone. Please listen through the speakers instead.

10 Product information

Note

- Product information is subject to change without prior notice.

Specifications

Amplifier

Rated Output Power	2 × 30 W RMS
Frequency Response	30 Hz-16 KHz, ±3 dB
Signal to Noise Ratio	>67 dB
Aux Input	1 V RMS 20 kohm

Disc

Laser Type	Semiconductor
Disc Diameter	12 cm/8 cm
Video Decoding	MPEG-1 / MPEG-2 / DivX
Video DAC	12 Bits
Signal System	PAL / NTSC
Video Format	4:3 / 16:9
Video S/N	>48 dB
Audio DAC	24 Bits / 96 kHz
Total Harmonic Distortion	<1% (1 kHz)
Frequency Response	4 Hz - 20 kHz (44.1 kHz) 4 Hz - 22 kHz (48 kHz) 4 Hz - 24 kHz (96 kHz)
S/N Ratio	>67 dBA

Tuner (FM)

Tuning Range	87.5 - 108 MHz
Tuning grid	50 KHz
Sensitivity - Mono, 26dB S/N Ratio	<22 dBf
Sensitivity - Stereo, 46dB S/N Ratio	>43 dBf
Search Selectivity	>28 dBf
Total Harmonic Distortion	<3%
Signal to Noise Ratio	>50 dB

Speakers

Speaker Impedance	6 ohm
Speaker Driver	4" Full range
Sensitivity	>82 dB/m/W

General information

AC power	220 V, 50 Hz
Operation Power Consumption	30 W
Eco Standby Power Consumption	0.8 W
Composite Video Output	1.0 V _{p-p} , 75 ohm
Coaxial Output	0.5 V _{pp} ± 0.1 V _{pp} 75 ohm
Headphone Output	2 × 15 mW 32 ohm
USB Direct	Version 2.0
Dimensions	
- Main Unit (W × H × D)	247 × 98 × 286 mm
- Speaker Box (W × H × D)	140 × 223 × 202 mm
Weight	
- With Packing	8.16 kg
- Main Unit	1.9 kg
- Speaker Box	2 × 2.133 kg

Supported disc formats

- Digital Video Discs (DVDs)
- Video CDs (VCDs)
- SuperVideo CDs (SVCDs)
- Digital Video Discs + Rewritable (DVD+RW)
- Compact Discs (CDs)
- Picture (Kodak, JPEG) files on CDR(W)
- DivX(R) disc on CD-R(W):
- DivX 3.11, 4.x and 5.x
- WMA

Supported MP3-CD formats:

- ISO 9660
- Max. title/album name: 12 characters
- Max. title number plus album: 255.
- Max. nested directory: 8 levels.
- Max. album number: 32.
- Max. MP3 track number: 999.
- Supported sampling frequencies for MP3 disc: 32 kHz, 44.1 kHz, 48 kHz.
- Supported Bit-rates of MP3 disc are: 32, 64, 96, 128, 192, 256 (kbps).
- The following formats are not supported:
 - Files like *.VMA, *.AAC, *.DLF, *.M3U,
 - *.PLS, *.WAV
 - Non-English Album/Title name
 - Discs recorded in Joliet format
 - MP3 Pro and MP3 with ID3 tag

- Directory nesting up to a maximum of 8 levels
- Number of albums/ folders: maximum 99
- Number of tracks/titles: maximum 999
- ID3 tag v2.0 or later
- File name in Unicode UTF8 (maximum length: 128 bytes)

Unsupported formats:

- Empty albums: an empty album is an album that does not contain MP3/WMA files, and is not be shown in the display.
- Unsupported file formats are skipped. For example, Word documents (.doc) or MP3 files with extension .dlf are ignored and not played.
- AAC, WAV, PCM audio files
- DRM protected WMA files (.wav, .m4a, .m4p, .mp4, .aac)
- WMA files in Lossless format

USB playability information

Compatible USB devices:

- USB flash memory (USB 2.0 or USB1.1)
- USB flash players (USB 2.0 or USB1.1)
- memory cards (requires an additional card reader to work with this apparatus)

Supported formats:

- USB or memory file format FAT12, FAT16, FAT32 (sector size: 512 bytes)
- MP3 bit rate (data rate): 32-320 Kbps and variable bit rate
- WMA v9 or earlier

11 Troubleshooting



Caution

- Never remove the casing of this unit.

To keep the warranty valid, never try to repair the system yourself.

If you encounter problems when using this unit, check the following points before requesting service. If the problem remains unsolved, go to the Philips web site (www.philips.com/support). When you contact Philips, ensure that your unit is nearby and the model number and serial number are available.

No power

- Ensure that the AC cord of the apparatus is connected properly.
- Ensure that there is power at the AC outlet.
- As a power-saving feature, the system switches off automatically 15 minutes after track play reaches the end and no control is operated.

No disc detected

- Insert a disc.
- Check if the disc is inserted upside down.
- Wait until the moisture condensation at the lens has cleared.
- Replace or clean the disc.
- Use a finalized CD or correct format disc.

No picture

- Check the video connection.
- Turn on the TV to the correct Video-In channel.
- Progressive scan is activated but the TV does not support progressive scan.

Black and white or distorted picture

- The disc does not match the TV color system standard (PAL/NTSC).
- Sometimes a slight picture distortion may appear. This is not a malfunction.

- Clean the disc.
- A distorted picture may appear during progressive scan setup.

The aspect ratio of the TV screen cannot be changed even though you have set the TV display format.

- The aspect ratio is fixed on the loaded DVD disc.
- The aspect ratio may not be changed for some TV systems.

No sound or poor sound

- Adjust the volume.
- Disconnect the headphones.
- Check that the speakers are connected correctly.
- Check if the stripped speaker wires are clamped.

Remote control does not work

- Before you press any function button, first select the correct source with the remote control instead of the main unit.
- Reduce the distance between the remote control and the unit.
- Insert the battery with its polarities (+/- signs) aligned as indicated.
- Replace the battery.
- Aim the remote control directly at the sensor on the front of the unit.

Disc does not play

- Insert a readable disc and ensure that the label side faces up.
- Check the disc type, color system and regional code. Check for any scratches or smudges on the disc.
- Press **SYSTEM MENU** to exit the system setup menu.
- Disable the password for parental control or change the rating level.
- Moisture has condensed inside the system. Remove the disc and leave the system turned on for about an hour. Disconnect and reconnect the AC power plug, and then turn on the system again.

- As a power-saving feature, the system turns off automatically 15 minutes after disc play reaches the end and no control is operated.

Poor radio reception

- Increase the distance between the unit and your TV or VCR.
- Fully extend the FM antenna.
- Connect an outdoor FM antenna instead.

Audio or subtitle languages cannot be set

- The disc is not recorded with sound or subtitles in multiple languages.
- The audio or subtitle language setting is prohibited on the disc.

Cannot display some files in USB device

- The number of folders or files in the USB device has exceeded a certain limit. This phenomenon is not a malfunction.
- The formats of these files are not supported.

USB device not supported

The USB device is incompatible with the unit. Try another one.

Timer does not work

- Set the clock correctly.
- Switch on the timer.

Clock/timer setting erased

- Power has been interrupted or the power cord has been disconnected.
- Reset the clock/timer.

12 Notice

Any changes or modifications made to this device that are not expressly approved by Philips Consumer Lifestyle may void the user's authority to operate the equipment.

Your product is designed and manufactured with high quality materials and components, which can be recycled and reused.

Never dispose of your product with other household waste. Please inform yourself about the local rules on the separate collection of electrical and electronic products and batteries. The correct disposal of these products helps prevent potentially negative consequences on the environment and human health.

Your product contains batteries, which cannot be disposed of with normal household waste. Please inform yourself about the local rules on separate collection of batteries. The correct disposal of batteries helps prevent potentially negative consequences on the environment and human health.

Please visit www.recycle.philips.com for additional information on a recycling center in your area.

Environmental information

All unnecessary packaging has been omitted. We have tried to make the packaging easy to separate into three materials: cardboard (box), polystyrene foam (buffer) and polyethylene (bags, protective foam sheet.)

Your system consists of materials which can be recycled and reused if disassembled by a specialized company. Please observe the local regulations regarding the disposal of packaging materials, exhausted batteries and old equipment.



Be responsible
Respect copyrights

The making of unauthorized copies of copy-protected material, including computer programs, files, broadcasts and sound recordings, may be an infringement of copyrights and constitute a criminal offence. This equipment should not be used for such purposes.



Manufactured under license from Dolby Laboratories.

"Dolby" and the double-D symbol are trademarks of Dolby Laboratories.



'DVD Video' is a trademark of DVD Format/ Logo Licensing Corporation.



ABOUT DIVX VIDEO: DivX® is a digital video format created by DivX, LLC, a subsidiary of Rovi Corporation. This is an official DivX Certified® device that plays DivX video. Visit divx.com for more information and software tools to convert your files into DivX videos.

ABOUT DIVX VIDEO-ON-DEMAND: This DivX Certified® device must be registered in order to play purchased DivX Video-on-Demand (VOD) movies. To obtain your registration code, locate the DivX VOD section in your device setup menu. Go to vod.divx.com for more information on how to complete your registration.

DivX Ultra® Certified to play DivX® video with advanced features and premium content. DivX®, DivX Certified® and associated logos are trademarks of Rovi Corporation or its subsidiaries and are used under license.

This apparatus includes this label:



 Note

- The type plate is located on the back of the device.

部件名称 Name of the Parts	有毒有害物质或元素 Hazardous/toxic Substance					
	铅 (Pb, Lead)	汞 (Hg, Mercury)	镉 (Cd, cadmium)	六价铬(Chromium 6+)	多溴联苯 (PBB)	多溴二苯醚 (PBDE)
Housing 外壳	○	○	○	○	○	○
DVD/CD loader DVD/CD 光盒	X	○	○	○	○	○
LCD Panel 液晶面板	X	X	○	○	○	○
Loudspeakers 喇叭单元	○	○	○	○	○	○
PWBs 电路板组件	X	○	○	○	○	○
Accessories (Remote control & cables) 附件 (遥控器, 电 源线, 连接线)	X	○	○	○	○	○
Batteries in Remote Control (ZnC) 遥控器电池	X	○	○	○	○	○

○：表示该有毒有害物质在该部件所有均质材料中的含量均在SJ/T11363 - 2006 标准规定的限量要求以下。
○: Indicates that this toxic or hazardous substance contained in all of the homogeneous materials for this part is below the limit requirement in SJ/T11363 – 2006.

×：表示该有毒有害物质至少在该部件的某一均质材料中的含量超出SJ/T11363 - 2006 标准规定的限量要求。

X: Indicates that this toxic or hazardous substance contained in at least one of the homogeneous materials used for this part is above the limit requirement in SJ/T11363 - 2006.



环保使用期限 Environmental Protection Use Period

This logo refers to the period (10 years)

电子信息产品中含有的有毒有害物质或元素在正常使用的条件下不会发生外泄或突变，电子信息产品用户使用该电子信息产品不会对环境造成严重污染或对其人身、财产造成严重损害的期限。

This logo refers to the period (10 years) during which the toxic or hazardous substances or elements contained in electronic information products will not leak or mutate so that the use of these [substances or elements] will not result in any severe environmental pollution, any bodily injury or damage to any assets.



Specifications are subject to change without notice
© 2012 Koninklijke Philips Electronics N.V.
All rights reserved.

MCD780_93_UM_V1.0

