



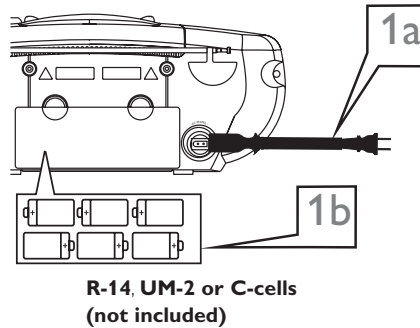
AZ1826



PHILIPS

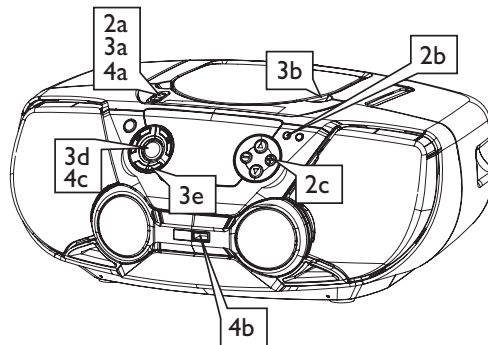
1 Choosing Power Supply

- a Connect the AC power cord to the **AC Mains ~** inlet and the wall socket.
- OR-
- b Open the **battery door** and insert 6 x C batteries (not included).



2 Listening to the Radio

- a Push the **Source selector** to **FM** or **MW**.
- b Press **PROG** for more than two seconds to program all available stations in order of waveband.
- c Press **PRESET/ALBUM +/-** until the desired preset station is displayed.



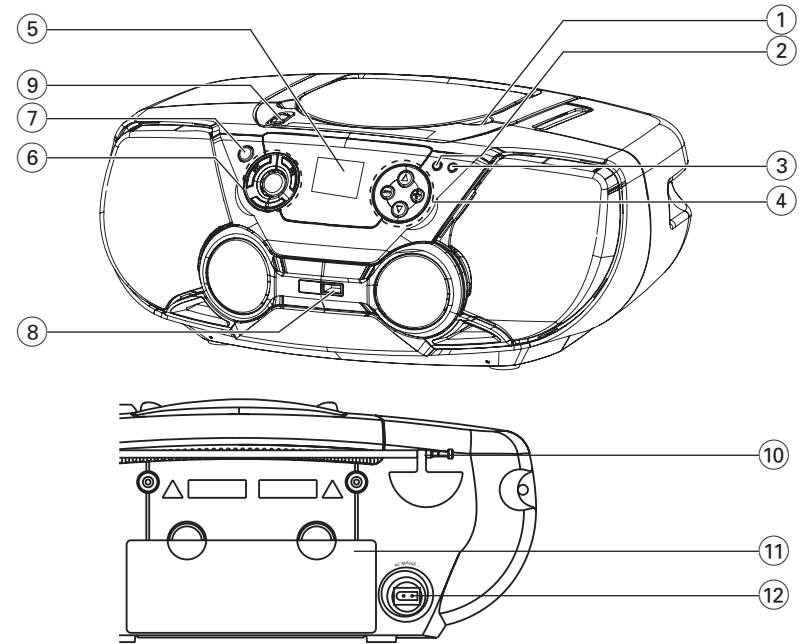
3 Playing a disc

This player plays Audio Discs including CD-R/CD-RW, MP3-CD and WMA.

- a Push the **Source selector** to **CD/USB**.
 - Then, press **CD/USB** (or **CD** on the remote control) once to select CD mode if "USB" is displayed.
- b Open the disc door.
- c Insert a disc with the printed side facing up and close the door.
- d Press **▶||** to start playback.
- e To stop disc playback, press **■**.

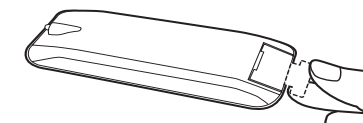
4 Playing a USB device

- a Push the **Source selector** to **CD/USB**.
 - Then, press **CD/USB** (or **USB** on the remote control) once to select USB mode if "CD" is displayed.
- b Plug a compatible USB mass storage device to AZ1826's USB port marked **→***.
- c Press **▶||** on your AZ1826 to start play.



- ① **PUSH TO OPEN** - press to open/close CD door
- ② **PROG**
CD/MP3/WMA/USB: programs tracks
MW/FM: programs preset radio stations
- ③ **MODE** - selects different play modes: e.g. **REP** or **SHUF** (random order)
- ④ **VOL ▲, ▼** - adjusts volume level
ALBUM/PRESET +, -
MP3/WMA/USB only: selects albums
MW/FM: selects a preset radio station
- ⑤ **Display** - shows the status of the set
- ⑥ **▶||** - starts or pauses CD/USB playback
 - - stops CD/USB playback; - erases a CD/USB program

- ⏪, ▶ **TUNING DOWN, TUNING UP**
CD/MP3/WMA/USB:
- searches backward and forward within a track;
- skips to the beginning of a current track/
previous/ later track
MW/FM: - tunes to radio stations
- ⑦ **CD/USB** -selects disc or USB mode
- ⑧ **USB port** - connects an external USB mass storage device
- ⑨ **Source selector: CD/USB, MW, FM, OFF**
- selects CD/USB or radio source of sound;
- switches off the set
- ⑩ **Telescopic aerial** - improves FM reception
- ⑪ **Battery compartment** - for 6 batteries, typed **R-14, UM2** or **C-cells**
- ⑫ **AC MAINS** - inlet for mains lead



Removing the insulation plastic tab

