

Quick Start Guide

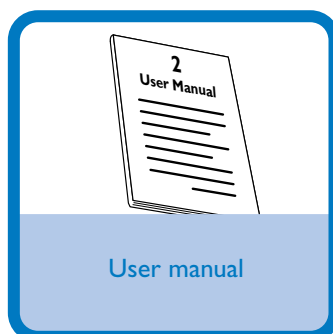
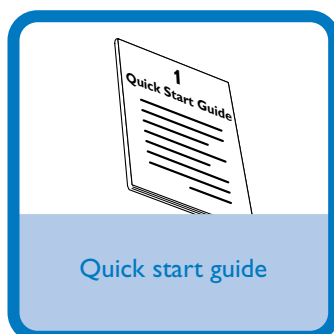
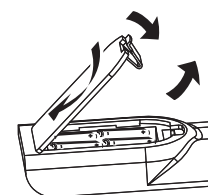
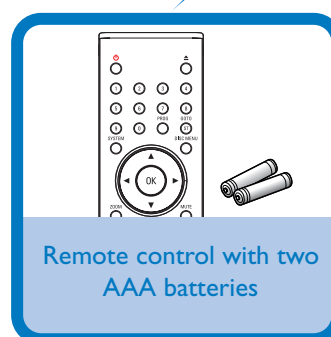
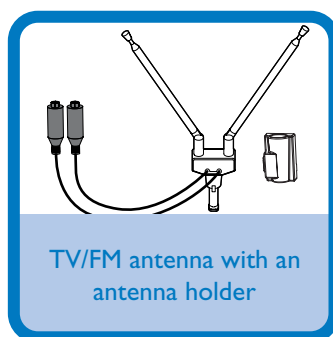
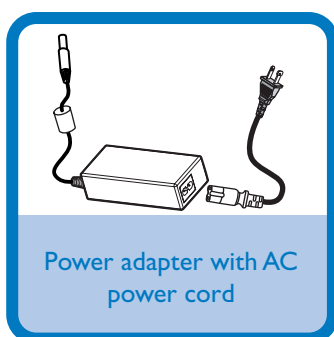


Step A *Setup*

Step B *Enjoy*

What's in the Box?

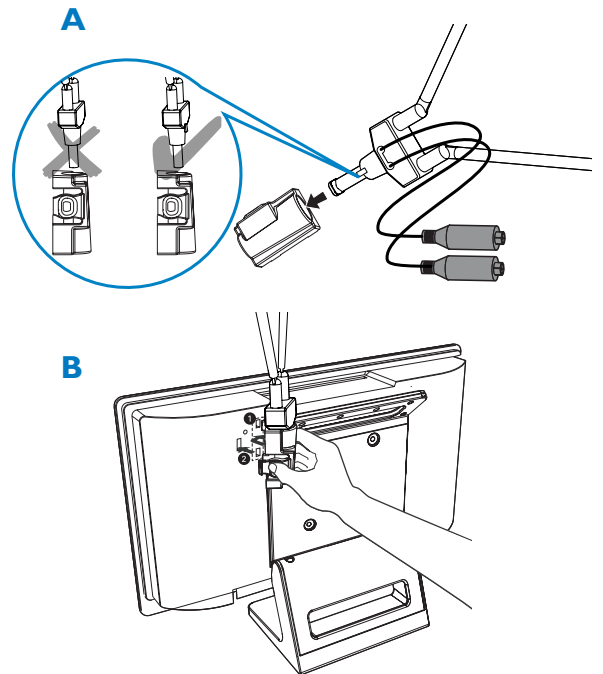
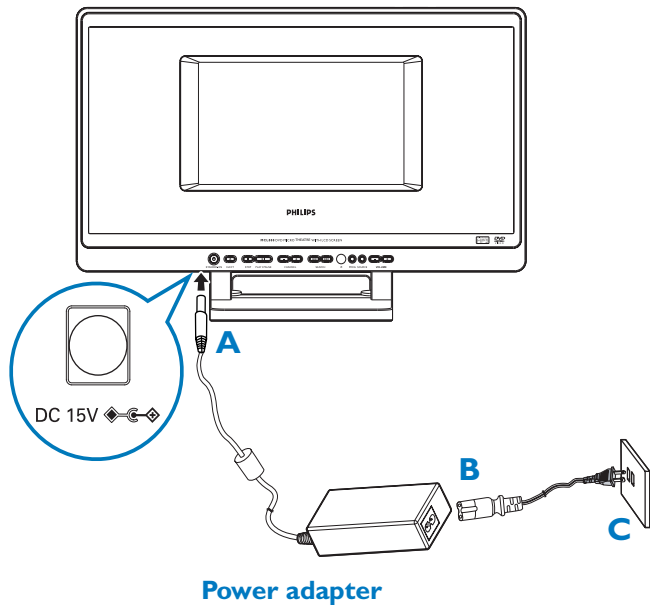
You should find these items upon opening the box.



Step A Setup

1 Plug the plug of the supplied power adapter to the DC 15V socket on the bottom panel, then plug the power adapter to the wall outlet with the supplied AC power cord.

2 To improve the TV and FM reception, connect the supplied TV/FM antenna to TV and FM antenna jacks on the bottom panel as shown below.



Insert the supplied TV/FM antenna into the supplied antenna holder, then fix the antenna holder to the back of the set.

Step B Enjoy

Playing a disc

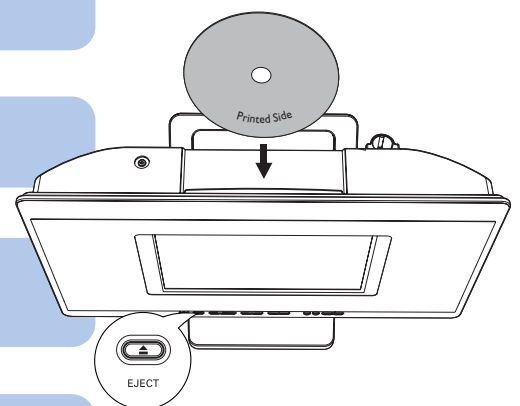
1 Press **STANDBY -ON** (⏻) (⏻ on the remote) to power on from the standby mode. The standby lamp lights green from red.

2 Press **SOURCE** once or more (**DISC** on the remote) to select disc mode.

3 Insert a disc with the print side facing toward the system's LCD screen. Make sure you have removed any other disc from the loader before inserting a disc.

4 Playback will start automatically. If not, press ▶ ||.

5 To stop playback, press ■.



Watching TV on your MCL888

- 1 Press **STANDBY -ON** (⏻) (⏻ on the remote) to power on from the standby mode. The standby lamp lights green from red.
- 2 Press **SOURCE** once or more (**TV** on the remote) to select TV mode.
- 3 Press and hold **PROG** (**PROGRAM** on the remote) until a displayed channel number starts running to auto search and store all the TV channels.
- 4 Press **CHANNEL -, +** (**CH +/-** (◀/▶)) on the remote) to select your desired TV channel.

Tips

- To improve TV reception, connect the supplied TV/FM antenna or other TV antenna to the TV antenna jack on the bottom of the set.
- To watch CATV, connect the CATV cable (not supplied) to the TV antenna jack on the bottom of the set.

Programming and tuning to radio stations

- 1 Press **STANDBY -ON** (⏻) (⏻ on the remote) to power on from the standby mode. The standby lamp lights green from red.
- 2 Press **SOURCE** once or more (**TUNER** on the remote) to select tuner mode.
- 3 Press and hold **PROG** (**PROGRAM** on the remote) until a displayed frequency starts running to auto search and store 20 FM radio stations in order of waveband reception strength.
- 4 Press **CHANNEL -, +** (**CH +/-** (◀/▶)) on the remote) to select your desired radio station.

Tip

To improve FM radio reception, connect the supplied TV/FM antenna to the FM antenna jack on the bottom of the set

Tip

Detailed playback features and additional functions are described in the accompanied owner's manual.

Notes for remote control:

- First, select the source you wish to control by pressing one of the source select keys on the remote control (DISC or TUNER, for example).
- Then select the desired function (▶||, ◀, ▶ for example).

