

Always there to help you
Register your product and get support at
www.philips.com/support



EN Short User Manual ZH-TW 短版使用手冊

BTM1360

PHILIPS



2015 © Gibson Innovations Limited. All rights reserved.
This product has been manufactured by, and is sold under the responsibility of Gibson Innovations (Shanghai) Commercial Company Ltd., and Gibson Innovations (Shanghai) Commercial Company Ltd. is the warrantor in relation to this product.
Philips and the Philips Shield Emblem are registered trademarks of Koninklijke Philips N.V. and are used under license from Koninklijke Philips N.V.

BTM1360_96_Short User Manual_V1.0



EN
To download the full user manual, visit www.philips.com/support.

ZH-TW
若要下載完整的使用手冊，請造訪 www.philips.com/support。

EN Switch to standby mode.
ZH-TW 切換為待機模式。

EN Switch to ECO standby mode.
ZH-TW 切換為節能待機模式。

EN
Repeat steps 2-3 to set hour and minute.

ZH-TW
重複步驟 2 至 3，設定小時和分鐘。

EN

- Press **PROG** to select the Bluetooth source.
↳ The Bluetooth indicator flashes blue.
- On your Bluetooth device, enable Bluetooth function and search for devices.
- In the device list, select 'Philips BTM1360', input '0000' if a password is required.
↳ After successful pairing and connection, the Bluetooth indicator turns solid blue, and the product beeps twice.
- Play audio on the connected device.

Note:

- If you fail to search for "Philips BTM1360" or cannot pair with this product, press and hold **SOURCE/PAIRING** (or **PROG** on the remote control) for three seconds until you hear a beep sound to enter Bluetooth pairing mode.
- Press and hold **PROG** on the main set for 8 seconds to clear Bluetooth pairing history.

ZH-TW

- 按 **PROG** 選擇藍牙來源。
↳ 藍牙指示燈會閃爍藍光。
- 在您的裝置上，啟用藍牙並搜尋可配對的藍牙裝置。
- 在具備藍牙功能的裝置上選擇「Philips BTM1360」，必要時請輸入「0000」作為配對密碼。
↳ 成功完成配對與連線後，藍牙指示燈會持續亮藍光，而且產品會發出兩聲嗶聲。
- 在連接的裝置上播放音訊。

備註：

- 如果您搜尋不到「Philips BTM1360」，或無法與本產品配對，請按住 **SOURCE/PAIRING** 三秒，直到藍牙指示燈快速閃爍藍光，即進入配對模式。
- 按住 **PROG** 8秒清除藍牙配對記錄。

EN Control play

- PROG** Start, pause, or resume play.
- STOP** Stop play.
- ALBUM** Select an album or a folder.
- SKIP** Press to skip to the previous or next track. Press and hold to search backward/forward within a track.
- REPEAT** Play a track or all tracks repeatedly.
- RANDOM** Play tracks randomly.
- VOL +/-** Increase or decrease the volume.
- MUTE** Mute or unmute sound.
- SOUND** Select a preset sound equalizer.
- DISPLAY** Adjust display brightness.

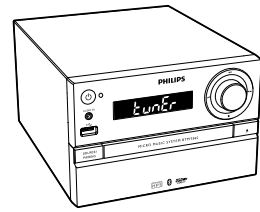
ZH-TW 控制播放

- PROG** 開始、暫停或繼續播放。
- STOP** 停止播放。
- ALBUM** 選擇專輯或資料夾。
- SKIP** 按下可跳至上/下一曲目。按住可在曲目內倒轉/快轉搜尋。
- REPEAT** 重複播放一首或所有曲目。
- RANDOM** 隨機播放曲目 (不適用於編排曲目)。



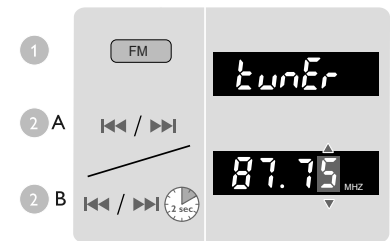
EN

Tune to FM radio stations



ZH-TW

調至 FM 廣播電台

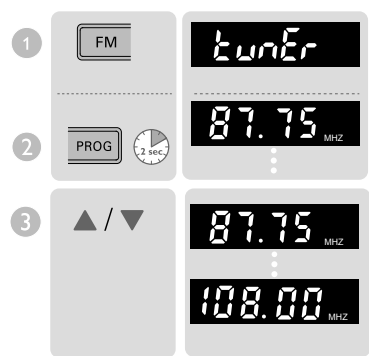


EN

Store FM radio stations automatically

ZH-TW

自動儲存 FM 廣播電台

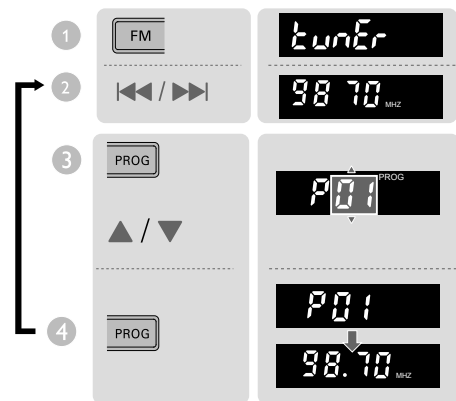


EN

Store FM radio station manually

ZH-TW

手動儲存 FM 廣播電台



EN

1 Safety

Read and understand all instructions before you use this micro music system. If damage is caused by failure to follow the instructions, the warranty does not apply.



This 'bolt of lightning' indicates uninsulated material within the device may cause an electrical shock. For the safety of everyone in your household, please do not remove the covering. The 'exclamation mark' calls attention to features for which you should read the enclosed literature closely to prevent operating and maintenance problems.

WARNING: To reduce the risk of fire or electric shock, the device should not be exposed to rain or moisture and objects filled with liquids, such as vases, should not be placed on the device. CAUTION: To prevent electric shock, fully insert the plug. (For regions with polarized plugs: To prevent electric shock, match wide blade to wide slot.)

Warning

- Never remove the casing of this apparatus.
- Never lubricate any part of this apparatus.
- Never look into the laser beam inside this apparatus.
- Never place this apparatus on other electrical equipment.
- Keep this apparatus away from direct sunlight, naked flames or heat.
- Ensure that you always have easy access to the power cord, plug or adaptor to disconnect the apparatus from the power.

- The device shall not be exposed to dripping or splashing.
- Do not place any source of danger on the device (e.g. liquid filled objects, lit candles).

- Where the MAINS plug or an appliance coupler is used as the disconnect device, the disconnect device shall remain readily operable.
- Make sure that there is enough free space around the product for ventilation.
- Battery usage CAUTION - To prevent battery leakage which may result in bodily injury, property damage, or damage to the unit:
 - Install all batteries correctly, + and - as marked on the unit.
 - Do not mix batteries (old and new or carbon and alkaline, etc.).
 - Batteries (packed or installed) shall not be exposed to excessive heat such as sunshine, fire or the like.
 - Remove batteries when the unit is not used for a long time.
- Only use attachments/accessories specified by the manufacturer.

2 Notice

Any changes or modifications made to this device that are not expressly approved by Gibson Innovations may void the user's authority to operate the equipment.

Compliance

This apparatus includes this label:



Care of the environment

Disposal of your old product

Your product is designed and manufactured with high quality materials and components, which can be recycled and reused.

Do not throw away the product with the normal household waste at the end of its life, but hand it in at an official collection point or recycling. By doing this, you help to preserve the environment.

Environmental information

All unnecessary packaging has been omitted. We have tried to make the packaging easy to separate into three materials: cardboard (box), polystyrene foam (buffer) and polyethylene (bags, protective foam sheet.)

Your system consists of materials which can be recycled and reused if disassembled by a specialized company. Please observe the local regulations regarding the disposal of packaging materials, exhausted batteries and old equipment.

The Bluetooth® word mark and logos are registered trademarks owned by Bluetooth SIG, Inc. and any use of such marks by Gibson is under license. Other trademarks and trade names are those of their respective owners.



The making of unauthorized copies of copy-protected material, including computer programs, files, broadcasts and sound recordings, may be an infringement of copyrights and constitute a criminal offence. This equipment should not be used for such purposes.

Care for your product

- Do not insert any objects other than discs into the disc compartment.
- Do not insert warped or cracked discs into the disc compartment.
- Remove the discs from the disc compartment if you are not using the product for an extended period of time.
- Only use microfiber cloth to clean the product.

Note

- The type plate is located on the back of the product.

ZH-TW

1 安全

使用此迷你音響之前，請先閱讀並瞭解所有指示。未遵守指示而造成的損壞，恕不在保固責任範圍內。了解這些安全符號



此「閃電」表示裝置內部的非絕緣材質可能導致電擊。為保障家中所有人員的安全，請勿拆卸外殼。對於「驚嘆號」提醒您注意的功能，應仔細閱讀隨附的說明文字，避免發生操作及維修問題。警告：為降低火災與觸電的危險，您應避免讓本裝置暴露在雨水或濕氣中，並且請勿在本裝置上放置花瓶等裝有液體之物品。注意：若要防止觸電，請完全地插入插頭。（使用具極性指示之插頭的地區：若要防止觸電，請將較寬的接腳插入較寬的插孔。）

警告

- 請勿打開產品外殼。
- 請勿在本產品的任何部位使用潤滑油。
- 請勿直視本產品內的雷射光。
- 請勿將本產品放置在其他電器上。
- 請勿讓本產品直接曝曬於陽光下，或靠近未隔離的火爐或熱源。
- 請確認電源線、插頭或變壓器位於容易取得的地方，以方便中斷產品電源。

- 請勿將裝置置於滴水或潑水的環境。
- 請勿在裝置上放置危險物品（如盛裝液體的容器、點燃的蠟燭等）。
- 當電源插頭或產品連接器作為中斷連接裝置時，中斷連接裝置應保持隨時可操作。
- 請確認產品周圍有足夠空間以保持通風。
- 電池使用注意事項 - 為防止電池滲漏導致人身傷害、財物受損或產品損壞：
 - 請依照產品上標示的 + 與 - 極正確安裝所有電池。
 - 請勿混用電池（新舊混用或碳鹼性電池混用等）。
 - 請勿讓電池（套組或安裝在內）暴露在過熱溫度下，例如日照或火焰等。
 - 若產品長時間不使用時，請將電池取出。
- 僅使用原廠指定的附件/配件。
- 經型式認證合格之低功率射頻電機，非經許可，公司、商號或使用者均不得擅自變更頻率、加大功率或變更原設計之特性及功能。
- 低功率射頻電機之使用不得影響飛航安全及干擾合法通信；經發現有干擾現象時，應立即停用，並改善至無干擾時方得繼續使用。

2 注意

未經 Gibson Innovations 明示核可即變更或修改本裝置，可能導致使用者操作本設備的授權失效。

符合

本產品包含此標籤：



保護環境

舊產品的處置

您的產品是使用高品質材質和元件所設計製造，可回收和重複使用。本產品使用壽命結束時，請勿與一般家庭廢棄物一併丟棄。請將該產品送至政府指定的回收點或進行回收。此舉能為環保盡一份心力。

環境保護資訊

所有非必要之包裝材料均已捨棄。我們嘗試讓包裝可以輕易拆解成三種材質：厚紙板（外盒）、聚苯乙烯泡棉（防震）以及聚乙烯（包裝袋、保護性泡棉膠紙）。產品本身含有可回收並重複使用的材質，但是需由專業公司拆解。請根據各地法規丟棄包裝材料、廢電池和舊機器。

Bluetooth® 文字標記及標誌為 Bluetooth SIG, Inc. 之註冊商標，Gibson 對這些標記的使用均已獲得授權。其他商標與商品名稱為其各自擁有者所有。



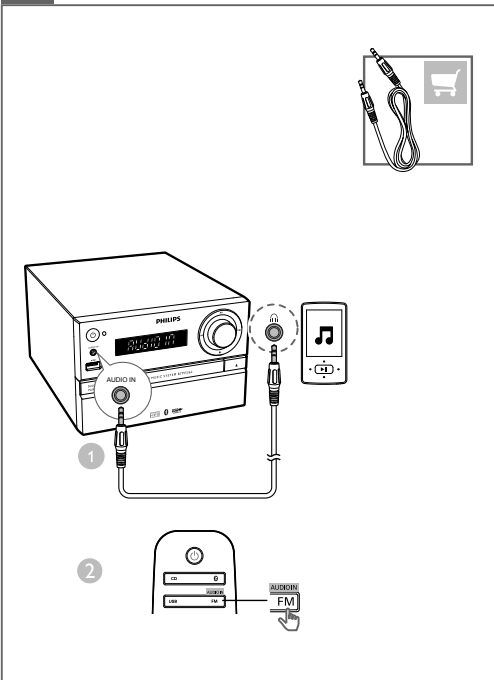
製作受版權保護之未經授權的資料，包括電腦程式、檔案、廣播及聲音錄製品，可能構成侵害版權之行為並引起刑事訴訟。本設備不應用於此類用途。

保護您的產品

- 請勿將光碟以外的任何物品放入光碟插槽中。
- 請勿將歪曲或破裂的光碟放入光碟插槽中。
- 若長期不使用產品，請將光碟插槽中的光碟取出。
- 請僅使用超細纖維布料清潔產品。

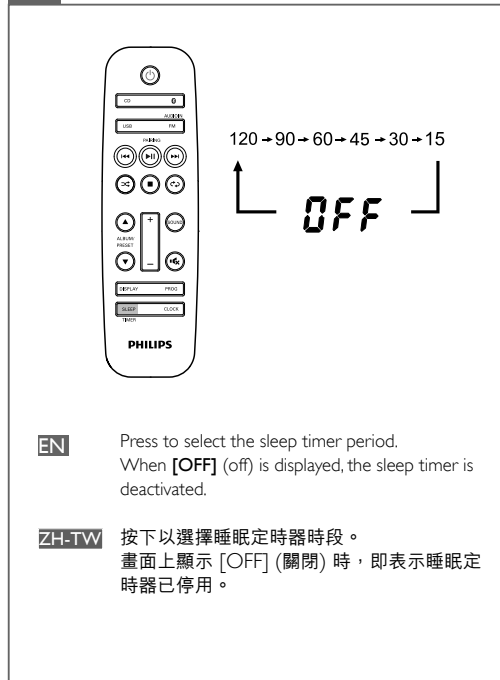
備註

- 機型牌位於產品背面。



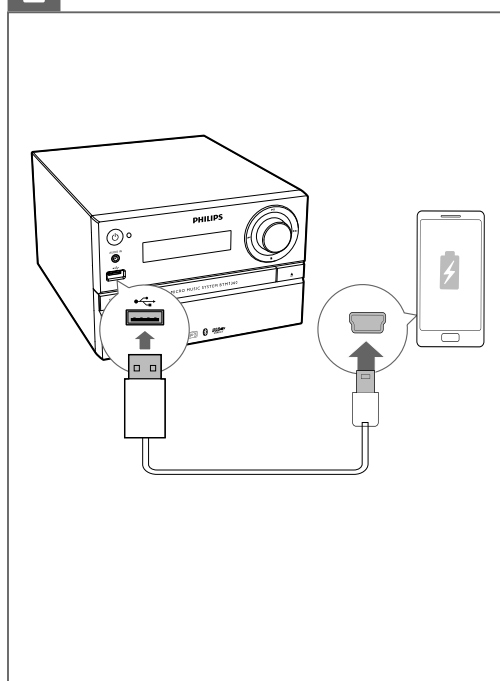
- Make sure that you have set the clock correctly.
- Repeat steps 2-3 to set minute, select a source, and set the alarm volume.

- 請務必正確設定時鐘。
- 重複步驟 2 至 3 以設定分鐘、選擇來源，並設定鬧鐘音量。



Press to select the sleep timer period. When [OFF] (off) is displayed, the sleep timer is deactivated.

按下以選擇睡眠定時器時段。畫面上顯示 [OFF] (關閉) 時，即表示睡眠定時器已停用。



Specifications	
Amplifier	
Total Output Power	Maximum 30 W
Frequency Response	60 Hz - 20 kHz; ±3 dB
Signal to Noise Ratio	≥75 dBA
Total Harmonic Distortion	<1%
Speakers	
Speaker Impedance	4 ohm
Sensitivity	83 ± 3dB/m/W
Tuner (FM)	
Tuning Range	87.5-108 MHz
Tuning grid	50 KHz
Preset Stations	20
USB	
USB Direct Version	2.0 Full Speed
Charging support	5V, 500mA
Disc	
Audio DAC	24 Bits/44.1 KHz
Frequency Response	20 Hz - 20 kHz (44.1 KHz)
Bluetooth	
Bluetooth Version	V4.0
Bluetooth Frequency Band	2.4 GHz ~ 2.48 GHz ISM Band
Bluetooth Range	10 m (free space)
General information	
AC power	100-240 V~, 50/60 Hz
Eco Standby Power Consumption	< 0.5 W
Dimensions	
- Main Unit (W x H x D)	180 x 121 x 227 mm
- Speaker Box (W x H x D)	120 x 195 x 143 mm
Weight	
- Main Unit	1.54 kg
- Speaker Box	0.81 kg x 2
規格	
擴大機	
總輸出功率	最大 30 W
頻率響應	60 Hz - 20 kHz; ±3 dB
訊噪比	≥75 dBA
總諧波失真	<1%
揚聲器	
揚聲器阻抗	4 歐姆
敏感度	83 ± 3dB/m/W
調諧器 (FM)	
調諧範圍	87.5- 108 MHz
變更調幅	50 KHz
預設電台	20
USB	
USB Direct 版本	2.0 全速
充電支援	5V, 500mA
光碟	
音訊 DAC	24 Bits/44.1 KHz
頻率響應	20 Hz - 20 kHz (44.1 KHz)
藍牙	
藍牙版本	V4.0
藍牙頻率波段	2.4 GHz ~ 2.48 GHz ISM 波段
藍牙範圍	10 公尺 (自由空間)
一般資訊	
AC 電源	100-240 V~, 50/60 Hz
節能待機耗電量	< 0.5 W
尺寸	
- 主裝置 (寬 x 高 x 深)	180 x 121 x 227 公釐
- 揚聲器音箱 (寬 x 高 x 深)	120 x 195 x 143 公釐
重量	
- 主裝置	1.54 公斤
- 揚聲器音箱	0.81 公斤 x 2