

# Always there to help you

Register your product and get support at  
[www.philips.com/welcome](http://www.philips.com/welcome)

DS1155/05



## User manual

# PHILIPS



# Contents

---

<b>1</b>	<b>Important</b>	<b>2</b>
	Safety	2

---

<b>2</b>	<b>Your Docking Speaker</b>	<b>3</b>
	Introduction	3
	What's in the box	3
	Overview of the main unit	3

---

<b>3</b>	<b>Get started</b>	<b>4</b>
	Connect power	4
	Adjust time	4
	Turn on	4

---

<b>4</b>	<b>Play</b>	<b>5</b>
	Play from iPod/iPhone	5
	Charge your mobile phone	5
	Adjust volume	6
	Adjust brightness	6

---

<b>5</b>	<b>Product information</b>	<b>7</b>
	Specifications	7

---

<b>6</b>	<b>Troubleshooting</b>	<b>8</b>
----------	------------------------	----------

---

<b>7</b>	<b>Notice</b>	<b>9</b>
----------	---------------	----------

# 1 Important

the disconnect device shall remain readily operable.

---

## Safety

---

### Important Safety Instructions

- Heed all warnings.
- Follow all instructions.
- Do not use this apparatus near water.
- Clean only with dry cloth.
- Do not block any ventilation openings. Install in accordance with the manufacturer's instructions.
- Do not install near any heat sources such as radiators, heat registers, stoves, or other apparatus (including amplifiers) that produce heat.
- Protect the power cord from being walked on or pinched, particularly at plugs, convenience receptacles, and the point where they exit from the apparatus.
- Only use attachments/accessories specified by the manufacturer.
- Unplug this apparatus during lightning storms or when unused for long periods of time.
- Refer all servicing to qualified service personnel. Servicing is required when the apparatus has been damaged in any way, such as power-supply cord or plug is damaged, liquid has been spilled or objects have fallen into the apparatus, the apparatus has been exposed to rain or moisture, does not operate normally, or has been dropped.
- Apparatus shall not be exposed to dripping or splashing.
- Do not place any sources of danger on the apparatus (e.g. liquid filled objects, lighted candles).
- Where the plug of the Direct Plug-in Adapter is used as the disconnect device,



### Warning

- Never remove the casing of this apparatus.
- Never lubricate any part of this apparatus.
- Never place this apparatus on other electrical equipment.
- Keep this apparatus away from direct sunlight, naked flames or heat.
- Make sure that you always have easy access to the power cord, plug, or adaptor to disconnect the apparatus from the power.

# 2 Your Docking Speaker

Congratulations on your purchase, and welcome to Philips! To fully benefit from the support that Philips offers, register your product at [www.philips.com/welcome](http://www.philips.com/welcome).

---

## Introduction

With this docking speaker, you can:

- set time;
- enjoy audio from your iPod/iPhone.

---

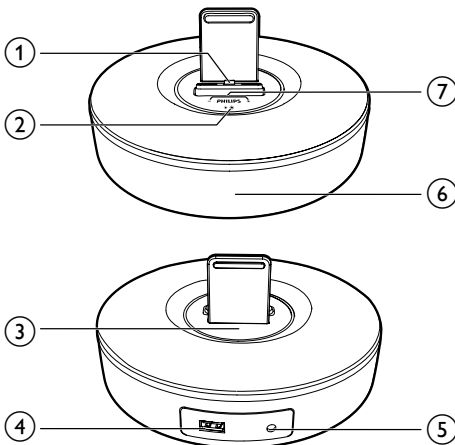
## What's in the box

Check and identify the contents of your package:

- Main unit
- 1 x AC adaptor
- Short user manual

---

## Overview of the main unit



- ① **Dock for iPod/iPhone**
- ② Adjust brightness of bottom light.
- ③ **CLOCK**
  - Adjust brightness of the display.
  - Press and hold to set the clock.
- ④ Charge your mobile phone through a USB cable.
- ⑤ **DC IN**
  - Connect AC power.
- ⑥ **Display**
- ⑦ **+ / -**
  - Adjust volume.

## 3 Get started

Always follow the instructions in this chapter in sequence.

If you contact Philips, you will be asked for the model and serial number of this apparatus. The model number and serial number are on the bottom of the apparatus. Write the numbers here:

Model No. \_\_\_\_\_

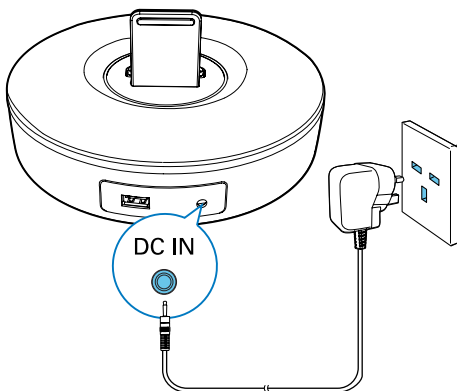
Serial No. \_\_\_\_\_

### Connect power



#### Caution

- Risk of product damage! Make sure that the power supply voltage corresponds to the voltage printed on the back of the unit.
- Risk of electric shock! When you unplug the AC adaptor, always pull the plug from the socket. Never pull the cord.
- Before connecting the AC adaptor, make sure that you have completed all other connections.



### Adjust time

- 1 In standby mode, press and hold **CLOCK** to enter the clock setting mode.  
↳ [24H] or [12H] hour format is displayed.
- 2 Press +/- to select [24H] or [12H] hour format, and then press **CLOCK**.  
↳ The hour digits are displayed and begin to blink.
- 3 Press +/- to set hour, and then press **CLOCK**.  
↳ The minute digits are displayed and begin to blink.
- 4 Repeat step 3 to set minute.

### Turn on

In standby mode, the docking speaker turns on automatically when it detects an audio signal from docked iPod/iPhone.

### Switch to standby mode

The unit switches to standby mode if there is no audio signal from docked iPod/iPhone over 15 minutes.

# 4 Play

## Play from iPod/iPhone

You can enjoy audio from iPod/iPhone through this docking speaker.

### Compatible iPod/iPhone

The docking speaker supports the following iPod/iPhone models.

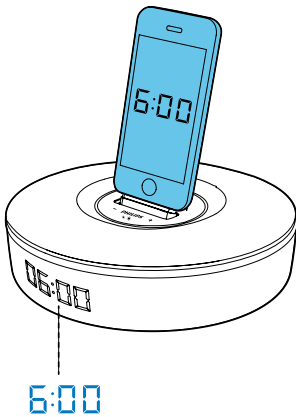
Made for:

- iPhone 5
- iPod nano (7th generation)
- iPod touch (5th generation)

### Load the iPod/iPhone

Insert your iPod/iPhone into the dock.

- ↳ The docking speaker synchronizes time from the docked iPod/iPhone.



To remove the iPod/iPhone:

- Pull your iPod/iPhone out of the dock.

## Listen to the iPod/iPhone

### Note

- Make sure that the iPod/iPhone is loaded correctly.

Start to play music from your iPod/iPhone.

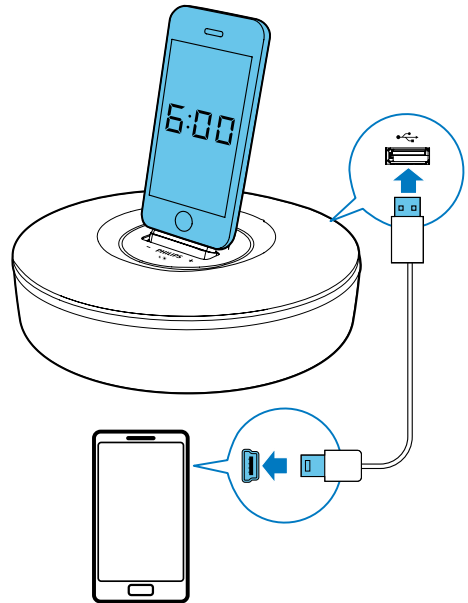
- ↳ Music streams from the docking speaker automatically.

## Charge the iPod/iPhone

The docked iPod/iPhone begins to charge automatically after connected to power.

## Charge your mobile phone

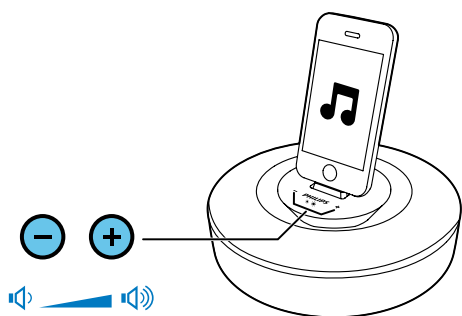
You can charge your mobile phone through the USB socket in this device with a USB cable (not supplied)



---


## Adjust volume

During play, press +/- repeatedly to increase or decrease the volume.



---

## Adjust brightness

- Press **CLOCK** repeatedly to select different levels of display brightness.
- Press \*  repeatedly to select different levels of bottom light brightness.



# 5 Product information

## Note

- Product information is subject to change without prior notice.

## Specifications

### Amplifier

Rated Output Power	2 × 3 W RMS
Signal to Noise Ratio	77 dBA

### General information

AC power adaptor	Model: S018KB0590240 (Philips) Input: 100-240 V, 50/60 Hz, 500 mA; Output: 5.9 V $\approx$ 2400 mA;
Operation Power Consumption	18 W
Charging (USB)	$\leq$ 500 mA
Dimensions: Main Unit (W × H × D)	177 × 177 × 100 mm
Weight: Main Unit	0.88 kg

# 6 Troubleshooting



## Warning

- Never remove the casing of this device.

To keep the warranty valid, never try to repair the system yourself.

If you encounter problems when using this device, check the following points before requesting service. If the problem remains unsolved, go to the Philips Web page ([www.philips.com/support](http://www.philips.com/support)). When you contact Philips, make sure that the device is nearby and the model number and serial number are available.

### No power

- Make sure that the AC power plug of the unit is connected properly.
- Make sure that there is power at the AC outlet.

### No sound or poor sound

- Adjust the volume of your docking speaker.
- Adjust the volume of your iPod/iPhone or external audio device.

### No response from the unit

- Disconnect and reconnect the AC power plug, and then turn on the docking speaker again.

# 7 Notice

Any changes or modifications made to this device that are not expressly approved by Philips Consumer Lifestyle may void the user's authority to operate the equipment.



This product complies with the radio interference requirements of the European Community.



Your product is designed and manufactured with high quality materials and components, which can be recycled and reused.



When this crossed-out wheeled bin symbol is attached to a product it means that the product is covered by the European Directive 2002/96/EC.

Please inform yourself about the local separate collection system for electrical and electronic products.

Please act according to your local rules and do not dispose of your old products with your normal household waste. Correct disposal of your old product helps to prevent potential negative consequences for the environment and human health.

## Environmental information

All unnecessary packaging has been omitted. We have tried to make the packaging easy to separate into three materials: cardboard (box), polystyrene foam (buffer) and polyethylene (bags, protective foam sheet.)

Your system consists of materials which can be recycled and reused if disassembled by a specialized company. Please observe the

local regulations regarding the disposal of packaging materials, exhausted batteries and old equipment.



The making of unauthorized copies of copy-protected material, including computer programs, files, broadcasts and sound recordings, may be an infringement of copyrights and constitute a criminal offence. This equipment should not be used for such purposes.



"Made for iPod" and "Made for iPhone" mean that an electronic accessory has been designed to connect specifically to iPod or iPhone respectively, and has been certified by the developer to meet Apple performance standards. Apple is not responsible for the operation of this device or its compliance with safety and regulatory standards. Please note that the use of this accessory with iPod or iPhone may affect wireless performance. iPod and iPhone are trademarks of Apple Inc., registered in the U.S. and other countries.

## Note

- The type plate is located on the bottom of the apparatus.



Specifications are subject to change without notice  
© 2013 Koninklijke Philips Electronics N.V.  
All rights reserved.

DS1155\_05\_UM\_V1.0

