

**PHILIPS**

Speakers

BT40BK



## User manual

Register your product and get support at [www.philips.com/welcome](http://www.philips.com/welcome)

## General information

### Warnings

- Only use attachments or accessories specified by manufacturer.
- The battery shall not be exposed to excessive heat such as sunshine, fire etc.
- Unit can use indoor/outdoor.

### Care and safety information

Avoid high temperatures, moisture, water and dust

- Apparatus should not be exposed to dripping or splashing of liquid.
  - Do not place any source of danger on the speaker (e.g. liquid filled objects lighted candles).
  - Do not install near heat sources.
- Do not block any ventilation opening
- Place the apparatus in a location with adequate ventilation to prevent internal heat build up.
  - Allow at least 10cm (4 inches) of free space all around the apparatus for adequate ventilation.

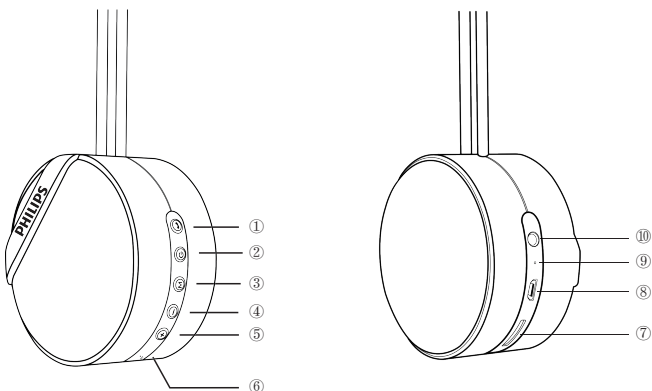
### Care of the cabinet

- Use a soft cloth slightly moistened to clean the cabinet.
- Do not use a solution containing alcohol, spirits, ammonia or abrasives to clean the cabinets.

## Accessories

Item	User manual	USB cable	AUX cable
Quantity	1	1	1

## Top & Back panel



## Over view of the speaker

1.
  - Answer or reject an incoming call
  - End the current call
2.
  - Turn the speaker on or off with long press.
3. **M**
  - Select source by short pressing Bluetooth/micro SD card (TF card)/ Line in (line in is available only when stereo cable is connected)
  - Connect and disconnect the bluetooth by long press.
4. **-**
  - Volume decrease -long press
  - Previous song-short press in bluetooth & TF mode .
5. **+**
  - Volume increase -long press
  - Next song/short press in bluetooth & TF mode .
6. **Reset**
  - Reset unit
7. **Micro SD card (TF card).**
8. **DC in-** Recharging the built in battery.
9. **Mic**
10. **Line in-** Connect an external audio device.

### Get started

- Place the speaker on a flat surface.
  - Charge the built in battery
- Notes for charging
- a) Before use, fully charge the built in battery.
  - b) The Micro USB socket is for charging only.
  - c) Rechargeable battery has a limited number of charge cycles.
- Battery life and number of charge cycle vary by use & settings.
  - Connect the USB cable between DC in socket on the speaker and USB Socket of a computer.

## Warranty

This Philips Bluetooth Speaker is warranted against any defect due to defective materials or workmanship for 12 months from the date of purchase, should a defect develop during the period of warranty, Gibson Innovations India Private Limited undertake to replace the apparatus FREE OF CHARGE at the dealer point from where the product was purchased or any of the Philips Authorised Service Centres.

The warranty is not valid in case :

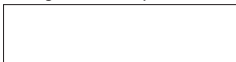
1. Proof of purchase is not accompanied with this warranty card.
2. The warranty card is not completed immediately after purchase.
3. The apparatus is not used according to this manual.
4. Defects are caused by improper or reckless use.
5. Any repairs are done by persons other than Philips Authorised service centre.
6. The serial number is tampered with.
7. Defects due to causes beyond control like lightning, abnormal voltage, acts of God or while in transit to the purchaser's residence.

All consumables and parts susceptible to normal wear and tear are not covered under warranty.

Model No. \_\_\_\_\_ Product SI No. \_\_\_\_\_  
Inv. No. \_\_\_\_\_ Date of Purchase \_\_\_\_\_

Customer's name and address: \_\_\_\_\_

Dealer Signature & Stamp



Always there to help you  
Question? Contact Philips  
Visit us at [www.india.philips.com](http://www.india.philips.com)  
Contact at: 1860 180 1111  
Or [customercare.india@philips.com](mailto:customercare.india@philips.com)

Gibson Innovations India Private Limited 4th Floor, Block-1, Vatika Business Park, Sector 49, Sohna Road, Gurgaon-122018, Haryana, India

## Side panel operation

### A. Switch operation

	1.	2.	3. <b>M</b>	4. <b>-</b>	5. <b>+</b>
BT mode.	long press	on/off	connect/disconnect	Volume decreases, when it reaches lower volume it will make single beep sound	Volume increases, when it reaches higher volume it will make double beep sound
	short press	accept or reject an incoming call	play/pause	Prev Song/Track*	Next Song/Track*
AUX mode.	long press	on/off		Volume decreases, when it reaches lower volume it will make single beep sound	Volume increases, when it reaches higher volume it will make double beep sound
	short press	play/pause	select source		
TF mode.	long press	on/off		Volume decreases, when it reaches lower volume it will make single beep sound	Volume increases, when it reaches higher volume it will make double beep sound
	short press	play/pause	select source	Prev Song/Track*	Next Song/Track*

### B. LED

- a) Red LED charging in off position
- b) Red LED with blue flickering charging in on position while unit is not connected
- c) Blue LED flickering not connected
- d) Solid blue LED-speaker unit connected
- e) Red & solid blue LED charging in on position & unit connected
- f) Once fully charged, red LED will not glow

### C. Back panel

6. Reset
7. (MICRO SD Card/TF Card)
8. (MICRO USB )socket for charging the unit .
9. Mic
10. (AUX): 3.5mm AUX socket.

## Bluetooth pairing

- Entering bluetooth mode with "single Beep" sound, blue LED flickering.
- Turn on Bluetooth device like mobile, computer and search the Bluetooth name "Philips BT40BK"
- Press pair in the device to connect with the speaker, it will give out a "double Beep" sound after pairing successfully, blue LED will become solid .
- After pairing successfully, the device will connect with speaker automatically next time. In case does not connect automatically, long press "M" to connect it.
- Long press "M" to disconnect current device, speaker enters in pairing mode.
- If the unit not working continuously 5 minutes it will go in off mode.
- In case of laptop BT connection, this will work with windows media player.

## Line in

- Connect a stereo cable (audio input cable) on both ends to connect Line in socket of speaker
- The headphone socket on the external device Speaker will automatically go into line in mode Without Audio cable, speaker cannot go into line in mode.

## Micro SD card ( TF card )

When inserting micro SD card (TF card) it will automatically switch to micro SD mode.

## Handfree phone call function

When there is an incoming call, the speaker will also come out with "Ring tone" sound, press button ( ) to answer the phone call. to decrease or increase volume by pressing "VOL-"/"VOL+", press ( ) to disconnect.

## Low power

When it comes to low power, the speaker will come out with "double Beep" sound, at the same time volume will be decreased to keep perfect playback. The speaker will shutdown if no power led will glow solid red while charging . if you are not using the speaker for long time, ensure that it is being fully charged once every month in order to protect the battery.

## Product specifications\*

Amplifier	
Rated output power	3W RMS
Signal to Noise Ratio	>75dB
Audio input	600mV
Frequency Response	80Hz-15KHz
Speaker	
Speaker Impedance	3 ohm(±5%ohm)
Speaker Driver	1.5 inch/40mm
Sensitivity	80 dBm
Bluetooth	
Bluetooth version	V 4.1
Bluetooth freq	2.4GHz-248GHz
Bluetooth range	Upto 10M (freespace)

### General Introduction

Power supply	5V  1A
Built in Battery	Li-polymer battery
Dimension main unit (LxWxH)mm	72x72x41mm
Weight	140g
battery capacity	400mAh

Connectivity	micro SD (TF-Card), line-in, Bluetooth
Micro SD (TF card)	upto 32GB

\*Specification subject to change without prior notice. Measured under specific conditions.

The Philips trademark and Philips shield emblem are registered trademarks of Koninklijke Philips N.V. used under license.

This product has been manufactured by and sold under the responsibility of Gibson Innovation India Private Ltd. and Gibson Innovations India private Ltd. is the warrantor in relation to this product.

