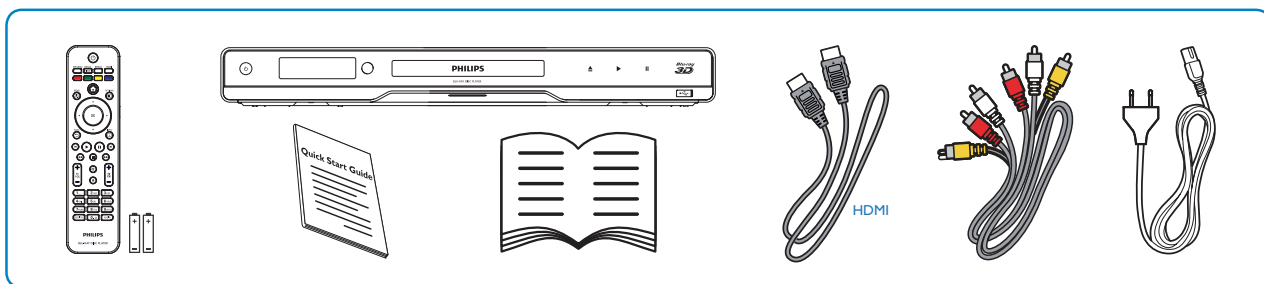
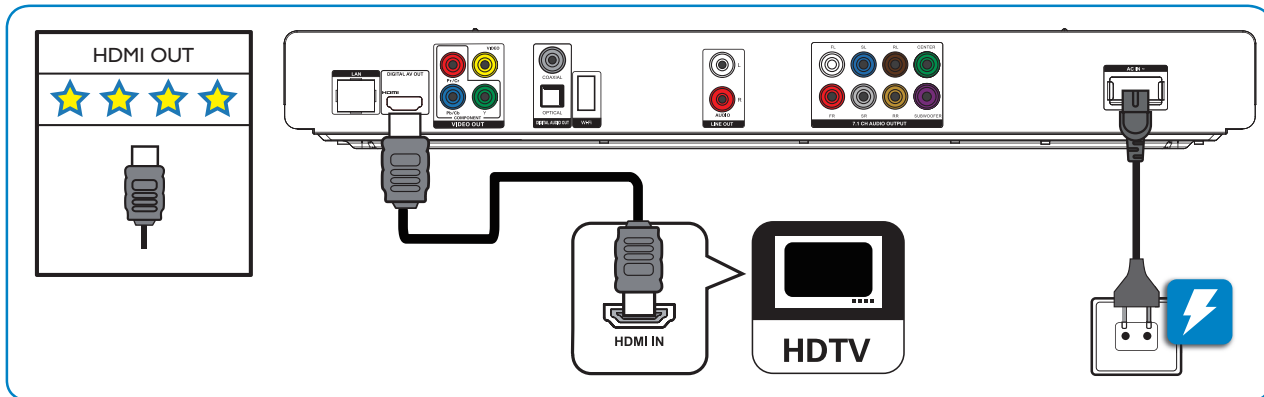




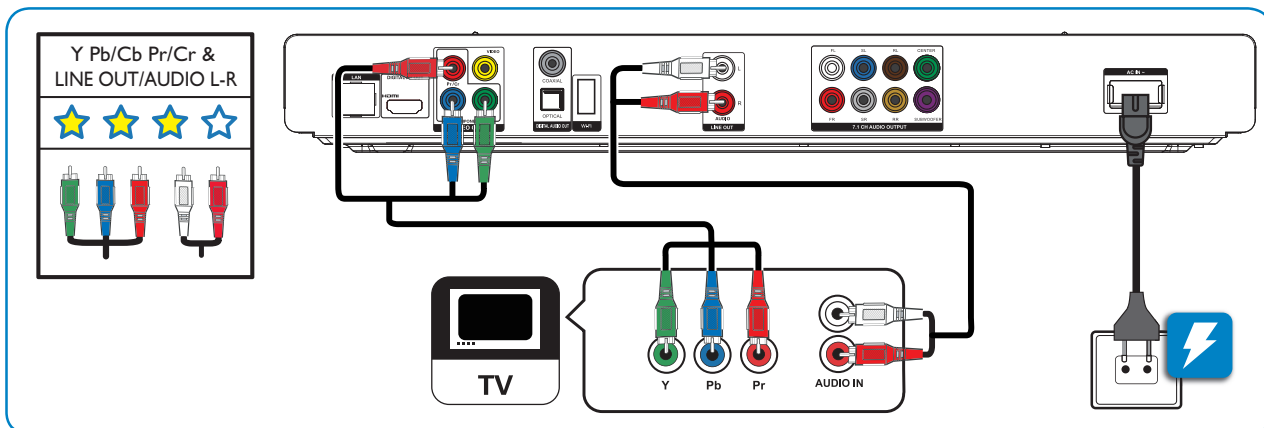
PHILIPS



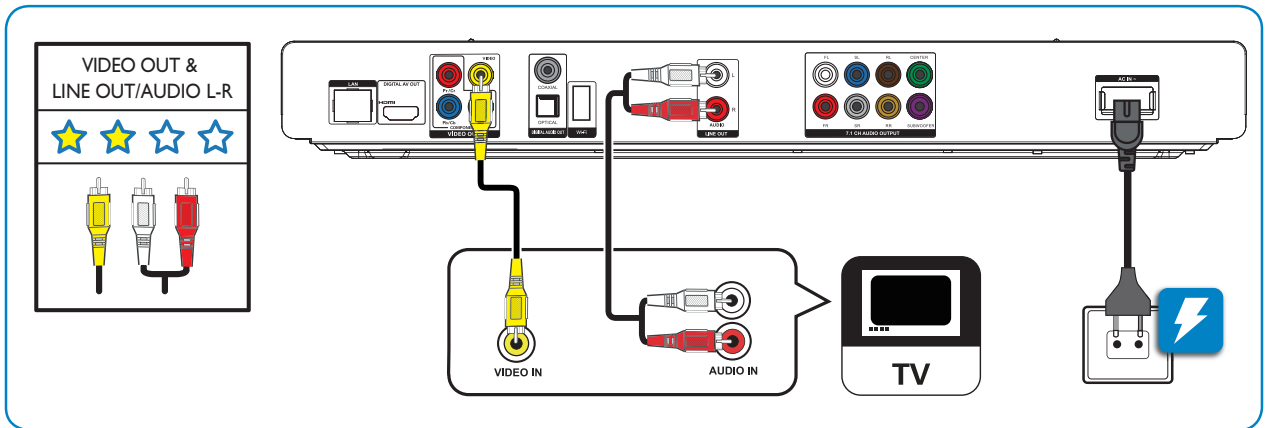
1a



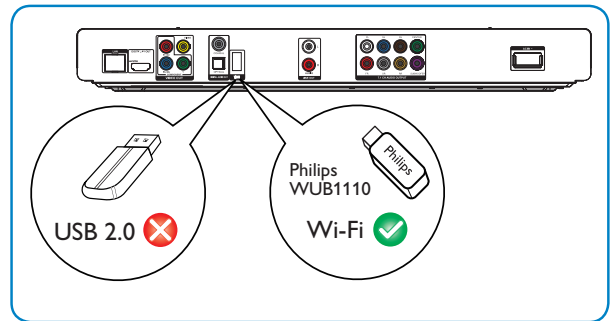
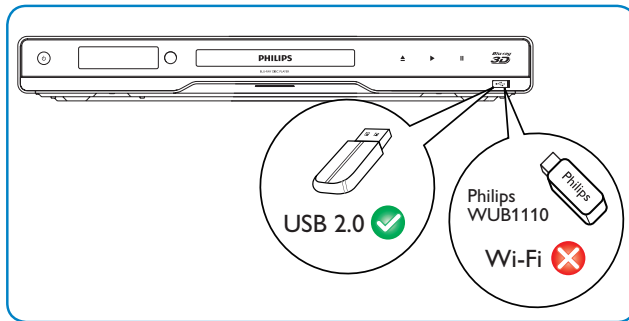
1b



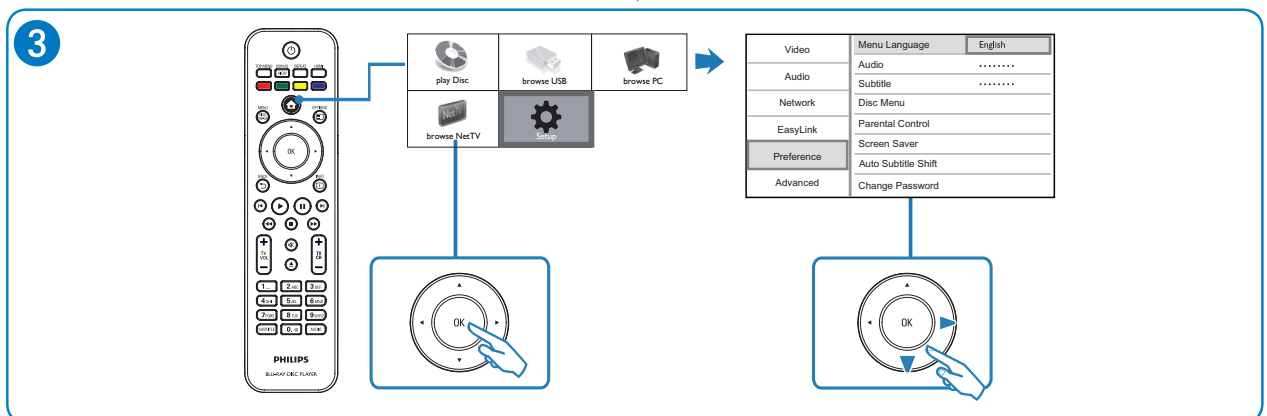
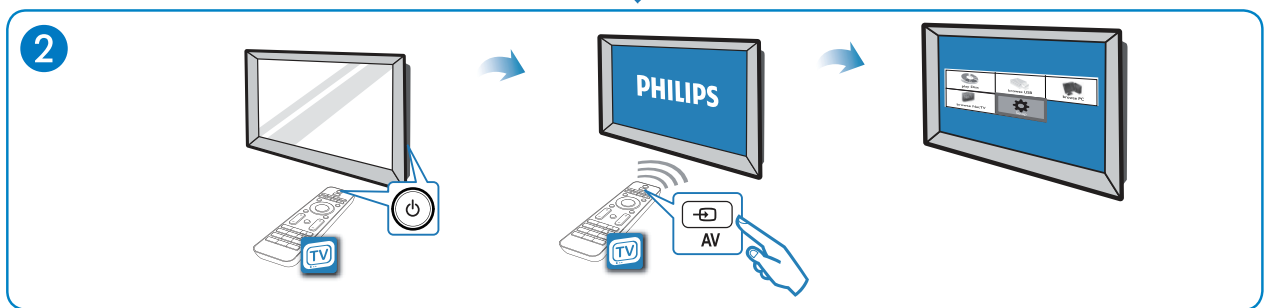
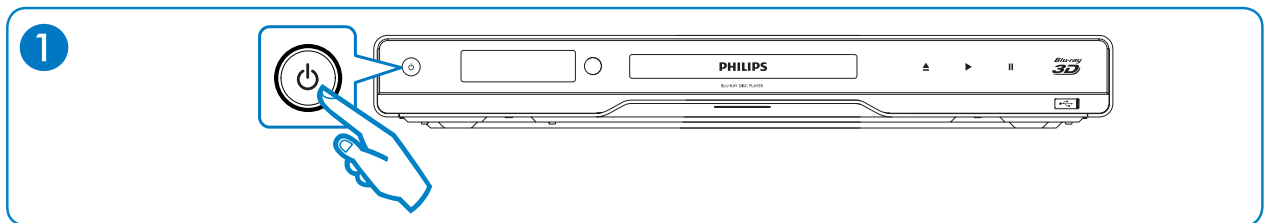
1c



2



3



2010 © Koninklijke Philips N.V.
All rights reserved.

BDP7500 MK II_51_98_QSG_V3.0_1035

Be responsible
Respect copyrights

