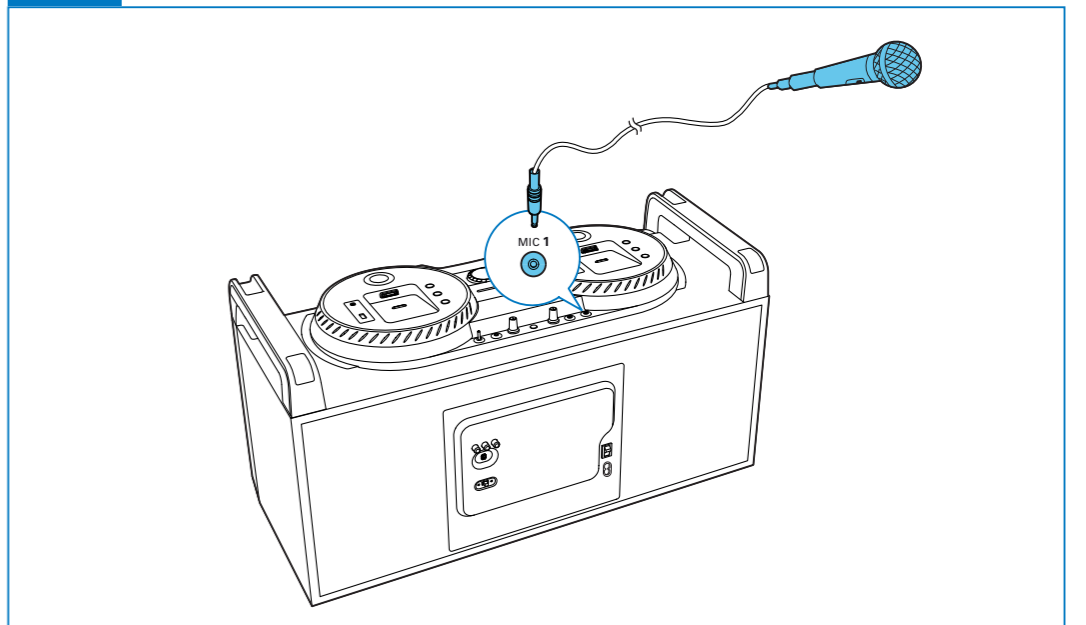
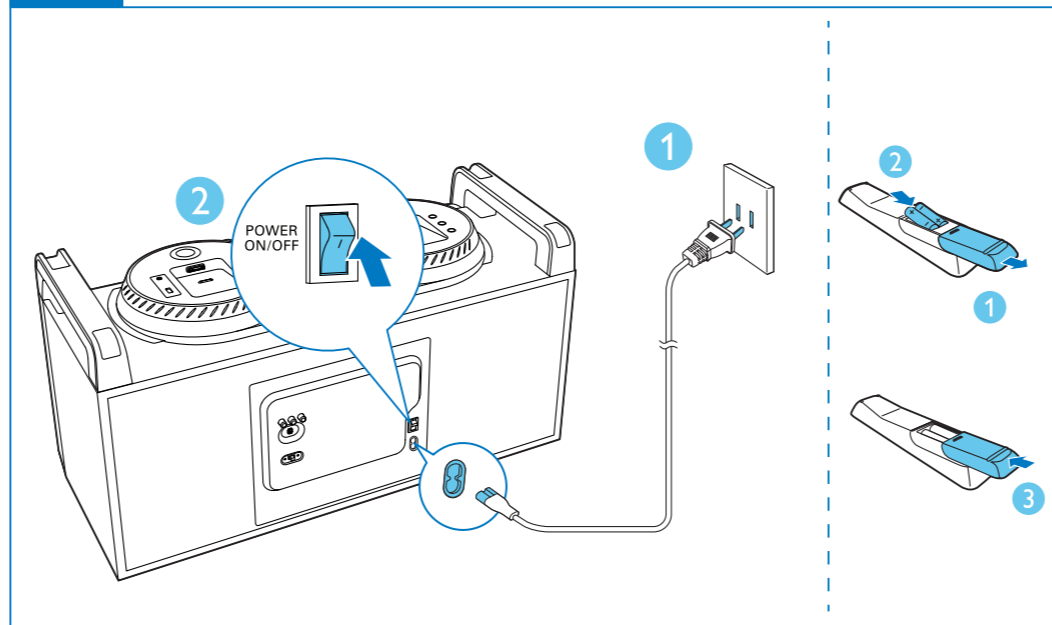
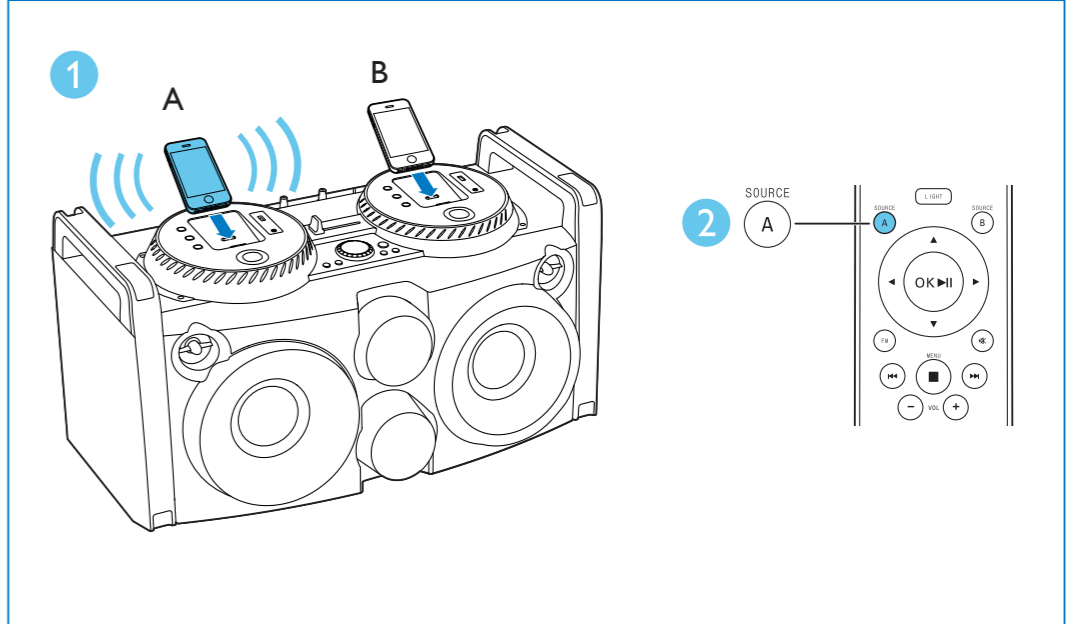
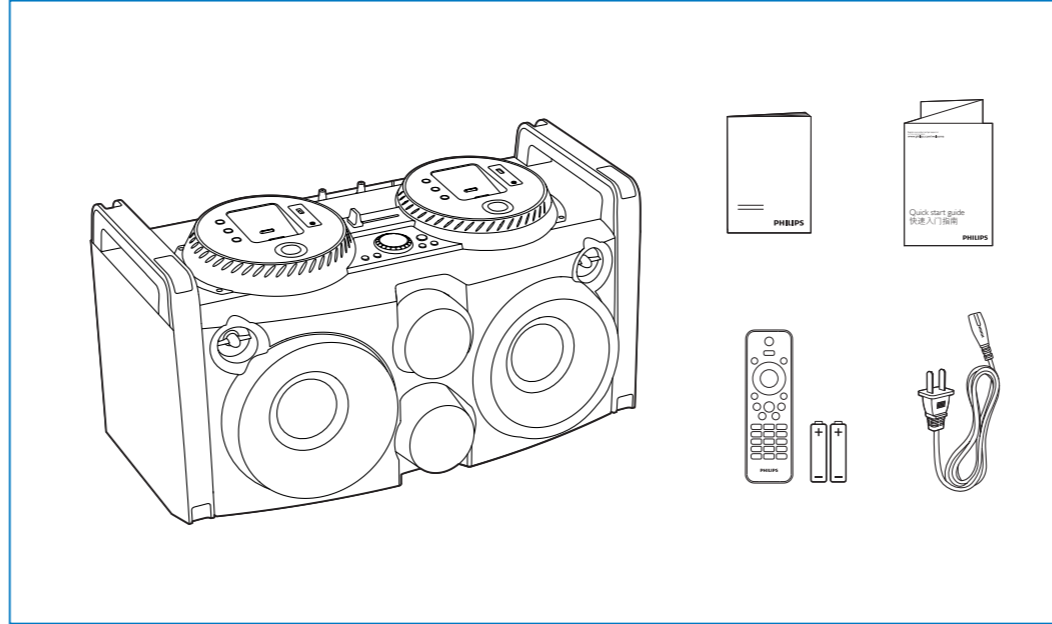


Register your product and get support at  
在以下网站上注册产品并获得支持  
[www.philips.com/welcome](http://www.philips.com/welcome)

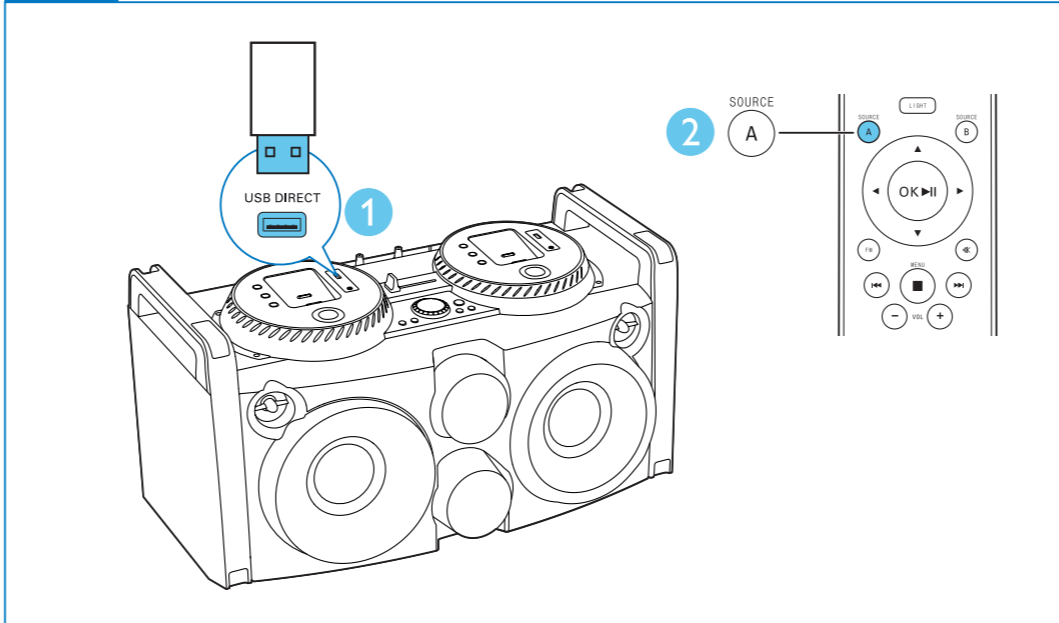
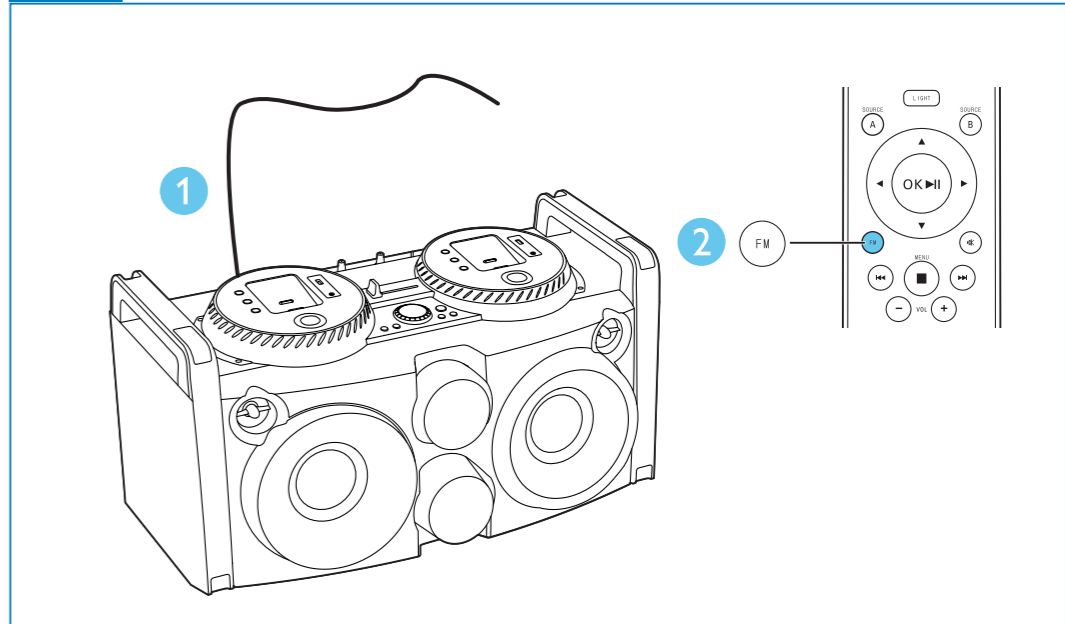
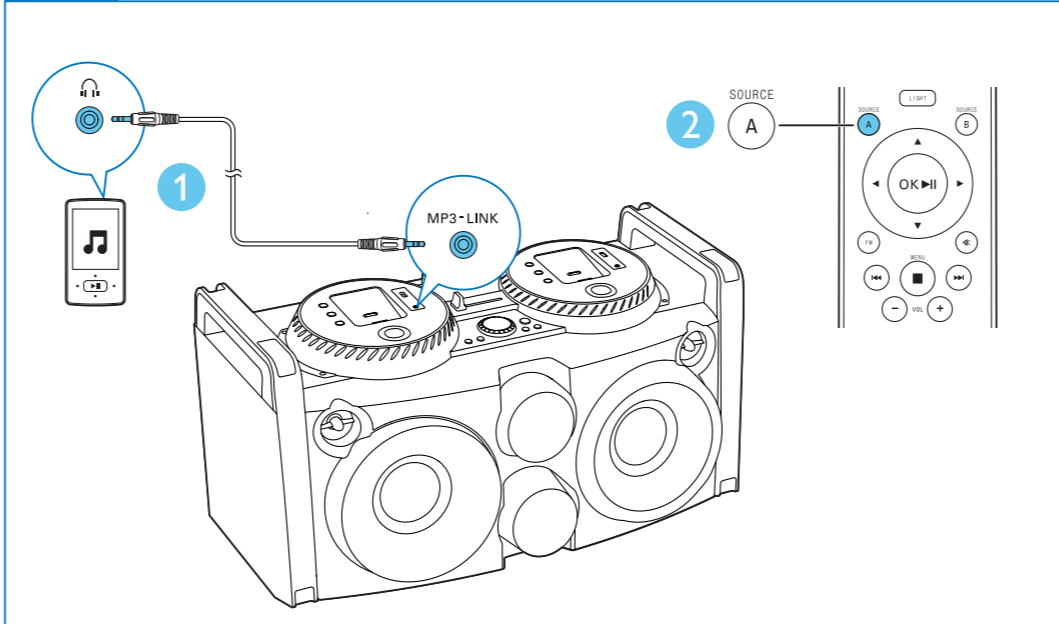
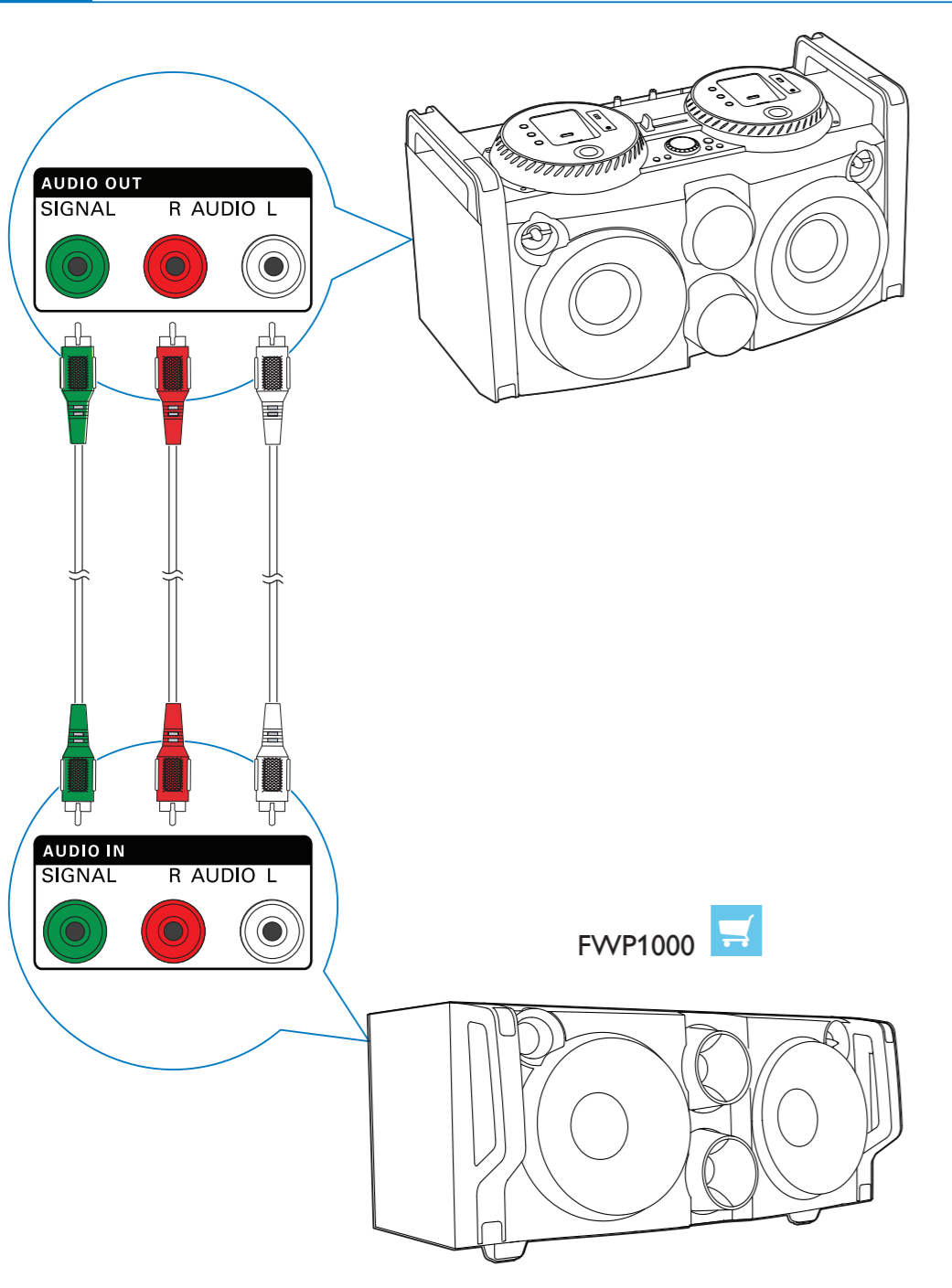
FWP3200D



# Quick start guide 快速入门指南

# PHILIPS





2013 © WOOX Innovations Limited. All rights reserved.  
 Philips and the Philips' Shield Emblem are registered  
 trademarks of Koninklijke Philips N.V. and are used by  
 WOOX Innovation Limited under license from  
 Koninklijke Philips N.V.

FWP3200D\_93\_QSG\_V2.0

