

Quick Start Guide



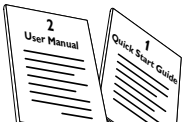
Step A *Connect*

Step B *Setup*

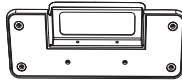
Step C *Enjoy*

What's in the Box?

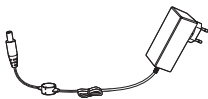
You should find these items upon opening the box.



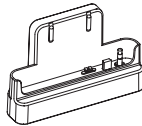
User Manual
Quick Start Guide



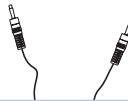
1 X stand



AC power adaptor



5 X docks for GoGear
player



1 x MP3 Link cable

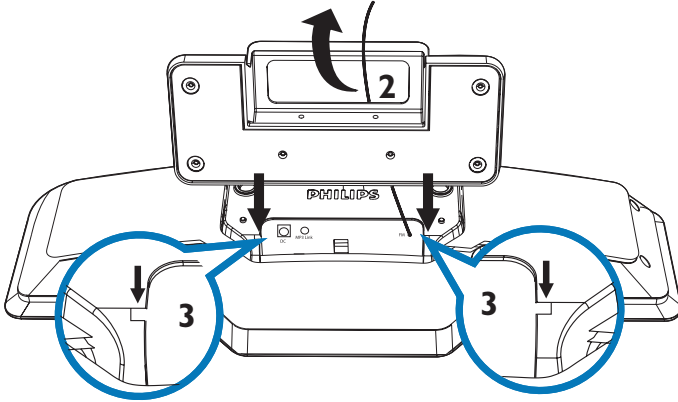
PHILIPS

Step A **Connect**

1

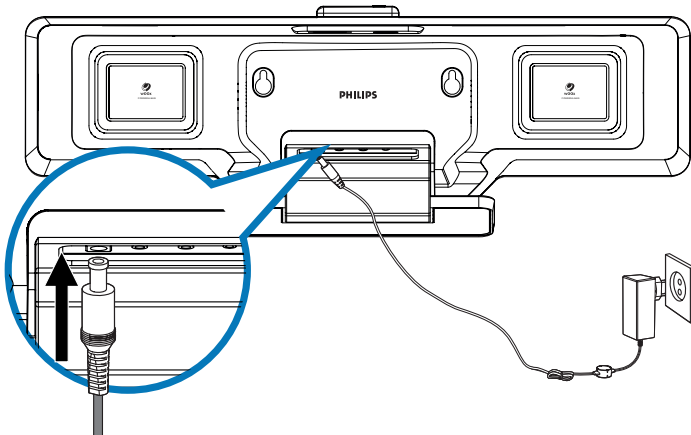
Before you place the micro hi-fi on a flat surface, attach the supplied stand.

1. Place the micro hi-fi face down on a flat surface.
2. Hold the stand above the micro hi-fi and pull the FM antenna gently through the stand.
3. Insert the stand into the two slots on the back of the micro hi-fi.



2

Connect the AC power adaptor to the micro hi-fi and the wall socket.



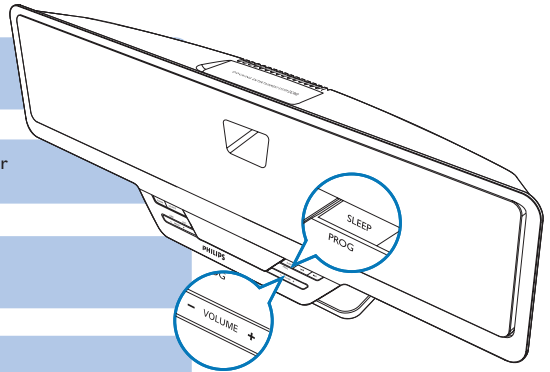
Tip

- Use the supplied AC power adaptor only! Using any other power connection device may damage your main set!
- To wall mount the micro hi-fi, see the included separate sheet of wall mounting instructions.

Step B Setup

Set clock

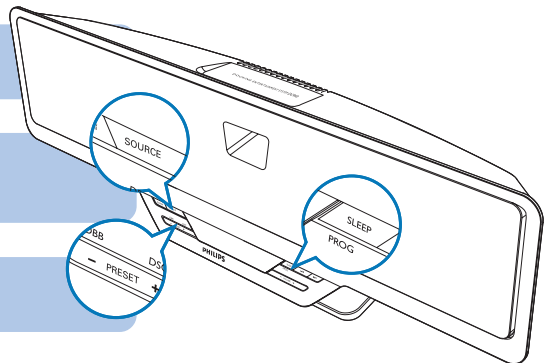
- 1 In standby mode, press and hold **SLEEP/PROG** for 2 seconds to enter the clock setting mode.
- 2 Press **VOLUME +/-** repeatedly to select 12 hour or 24 hour format.
- 3 Press **SLEEP/PROG** to confirm.
→ The hour digits are displayed and begin to blink.
- 4 Press **VOLUME +/-** to set the hours.
- 5 Press **SLEEP/PROG** to confirm.
→ The minute digits are displayed and begin to blink.
- 6 Press **VOLUME +/-** to set the minutes.
- 7 Press **SLEEP/PROG** to confirm the clock setting.



Step C Enjoy

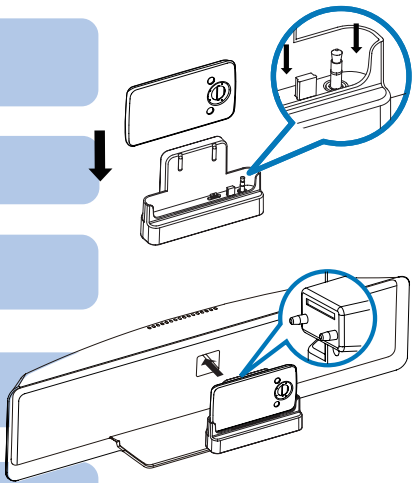
Program and tune to radio stations

- 1 Press **SOURCE** repeatedly to select FM.
- 2 Press and hold **SLEEP/PROG** for 4 seconds to activate automatic program mode.
→ [AUTO] (auto) is displayed.
- 3 Press **PRESET +/-** to select a preset number.



Play from Philips GoGear player

- 1 Identify the correct dock for the GoGear player.
→ There are 5 GoGear docks supplied. Each of the docks fit the GoGear models that begin with the model indicated on the dock.
- 2 Align the USB and headphone jacks on the GoGear player with the plugs on the dock, then push firmly in.
- 3 Load the dock into the cradle.
→ The GoGear player begins to charge.
- 4 Press **SOURCE** repeatedly to select GoGear source if GoGear source is not selected.
- 5 Turn on the GoGear player.
- 6 Control play with the GoGear player controls.
→ To adjust volume and sound effect, you can press **VOLUME +/-**, **DBB** and **DSC**.



Tip
Detailed playback features and additional functions are described in the accompany owner's manual.

