
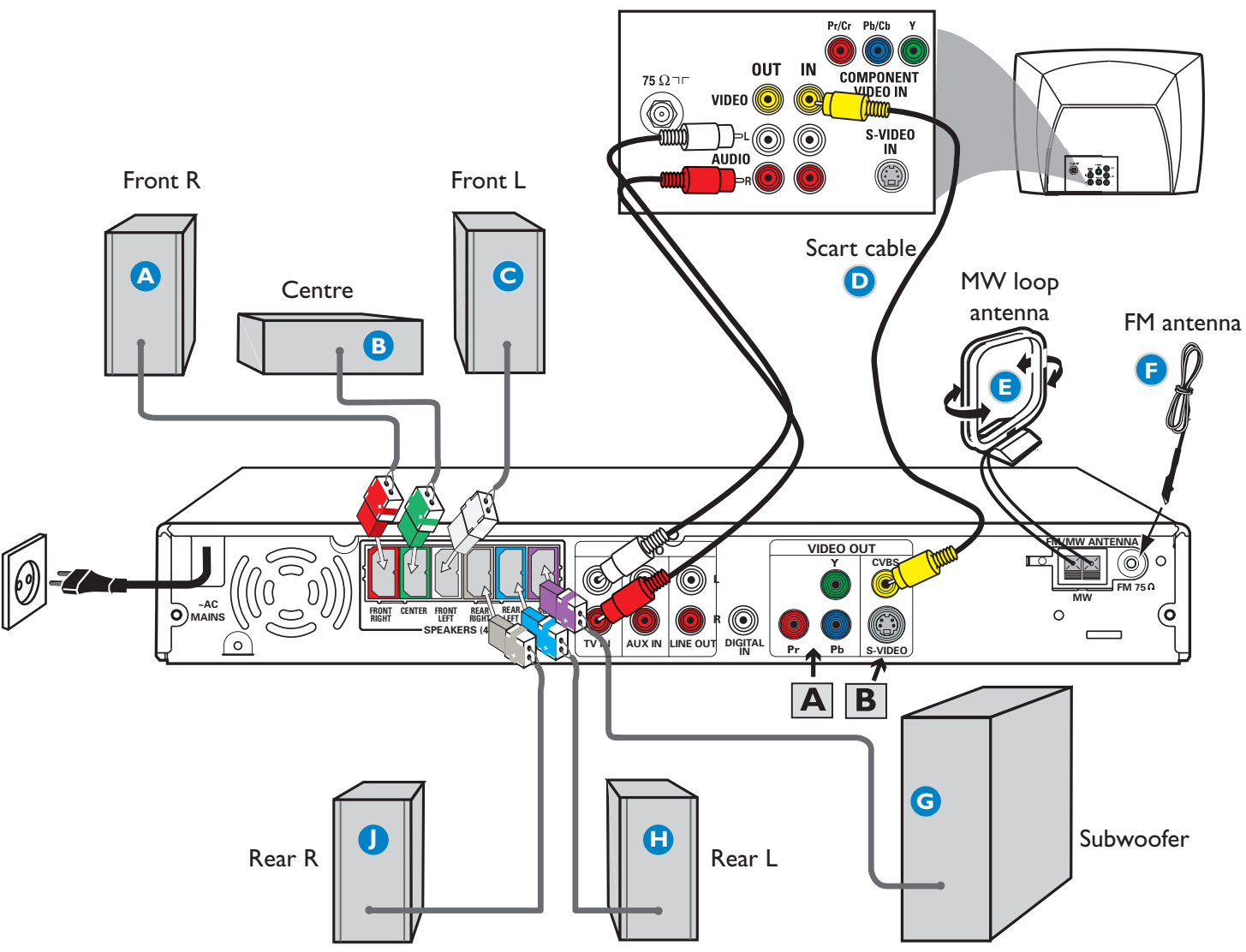


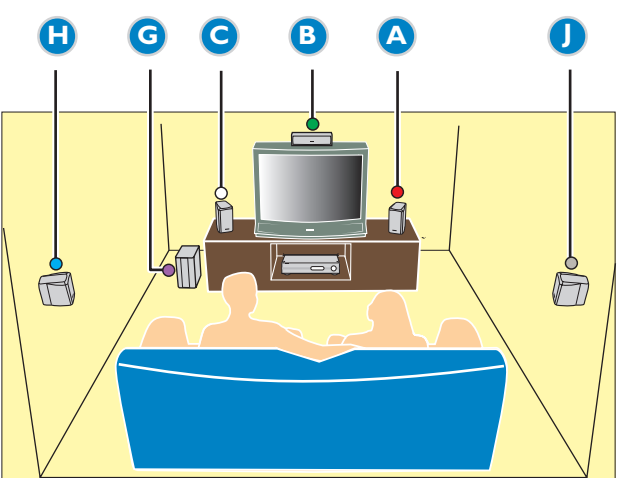
LX3900SA



12nc: 3139 115 23301




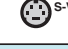
First connect ...





Helpful Hints

To obtain a better picture quality effect, you can choose to connect an extra video connection if your TV has the same input connector: **A** or **B**.

	Use this video cable (not supplied)	If your TV has this video input jack(s)
A		 COMPONENT VIDEO IN
B		 S-VIDEO IN

Antenna Note: If your TV has only a single Antenna In jack, you will need an accessory RF modulator. The RF modulator converts the video from the DVD system so it can play through the TV's Antenna connector. Refer to your owner's manual for proper connection (refer to page 9 in the owner's manual).

When listening to TV programmes, press TV button on the remote to set the DVD system to TV mode in order for the sound to be heard.

For connecting to a VCR, see page 11 in the owner's manual for more details.

... then play
(see next page)

