

Register your product and get support at  
[www.philips.com/welcome](http://www.philips.com/welcome)

CSP251/00



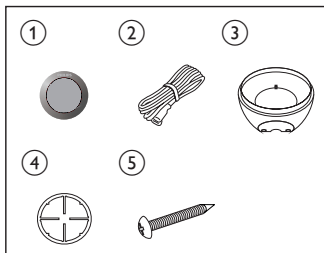
---

EN      User manual

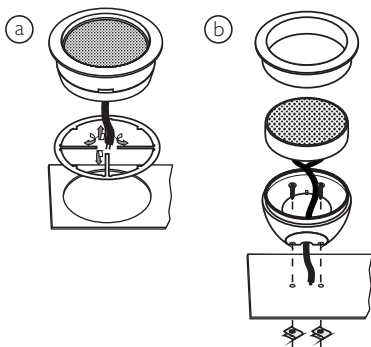
---

**PHILIPS**

1

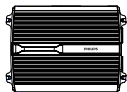


2



### Connection

### Network (Not included)



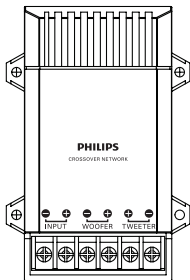
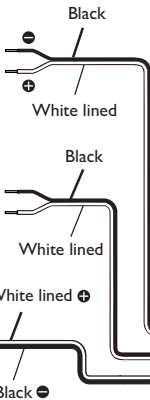
Amplifier  
(Not included)



Woofer  
(Not included)



Tweeter



## 1. What's in the box 1

Check and identify the contents of your package:

- ① Tweeter (with wire) (x2)
- ② Speaker wire (x4)
- ③ Angle adapter (x2)
- ④ Mounting bracket (x4)
- ⑤ Screw

## 2. Mount the Tweeter 2

Option 1: Flush mounting a

Option 2: Angle mounting b

## 3. Connect the tweeter to network 3

## 4. Product information

Model	CSP251
Speaker type	1" (25mm) tweeter
RMS power (Watts)	10W
Peak music power (Watts)	100W (PMPO)
Sensitivity (dB/W/m)	90dB
Frequency response (Hz)	2000-35kHz
Impedance (ohms)	4 ohms

Note: Product information is subject to change without prior notice.



© 2010 Koninklijke Philips Electronics N.V.

All rights reserved.

CSP251\_00\_UM\_V1.0



100% recycled paper  
100% papier recyclé