

Always there to help you

Register your product and get support at
www.philips.com/welcome

DS1155



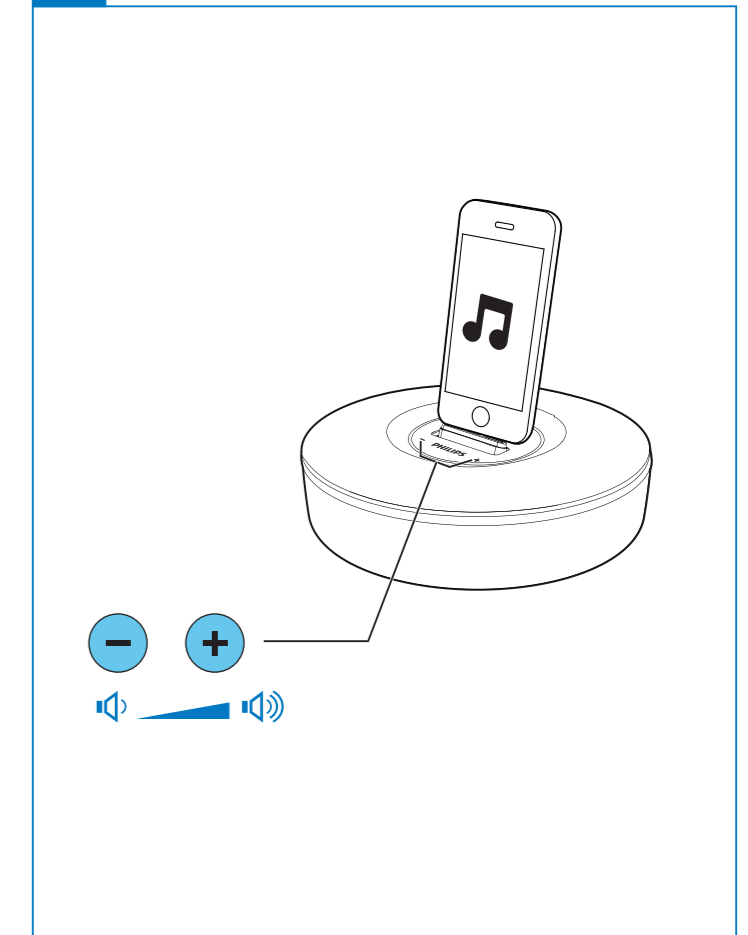
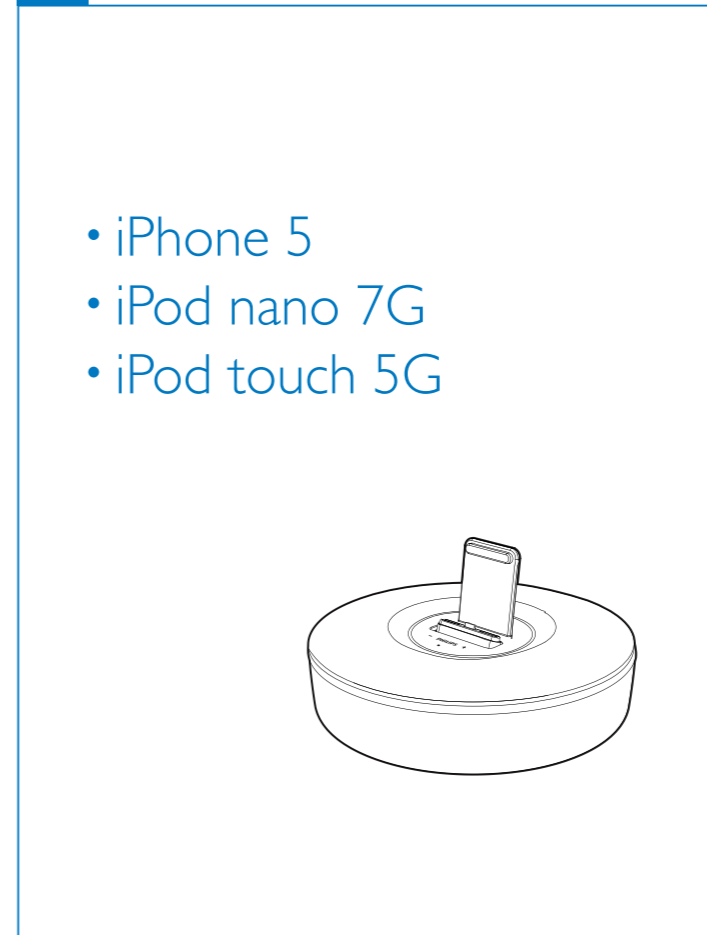
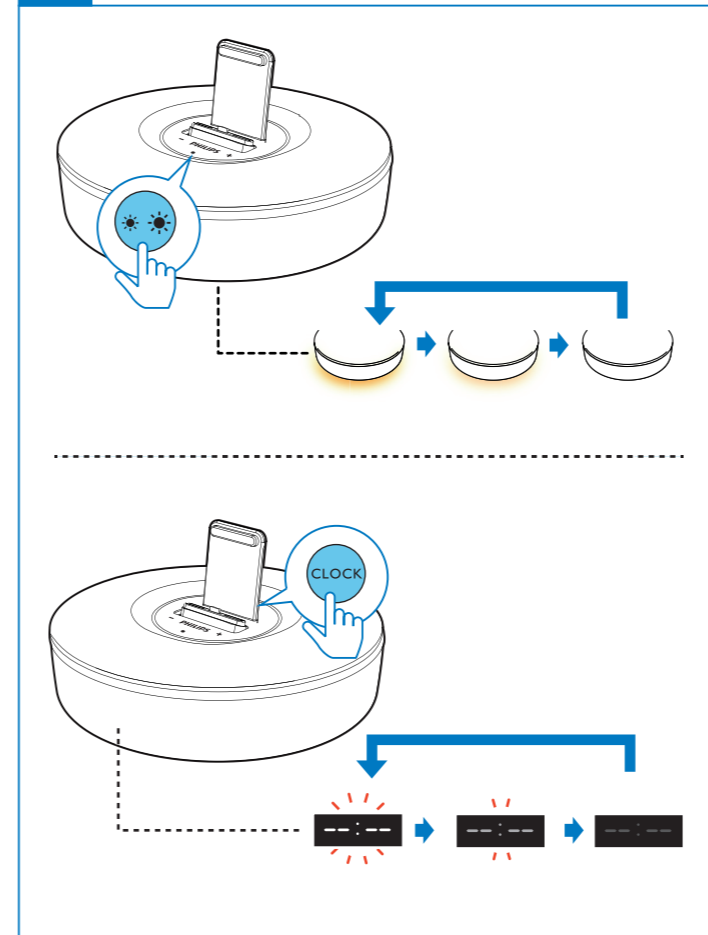
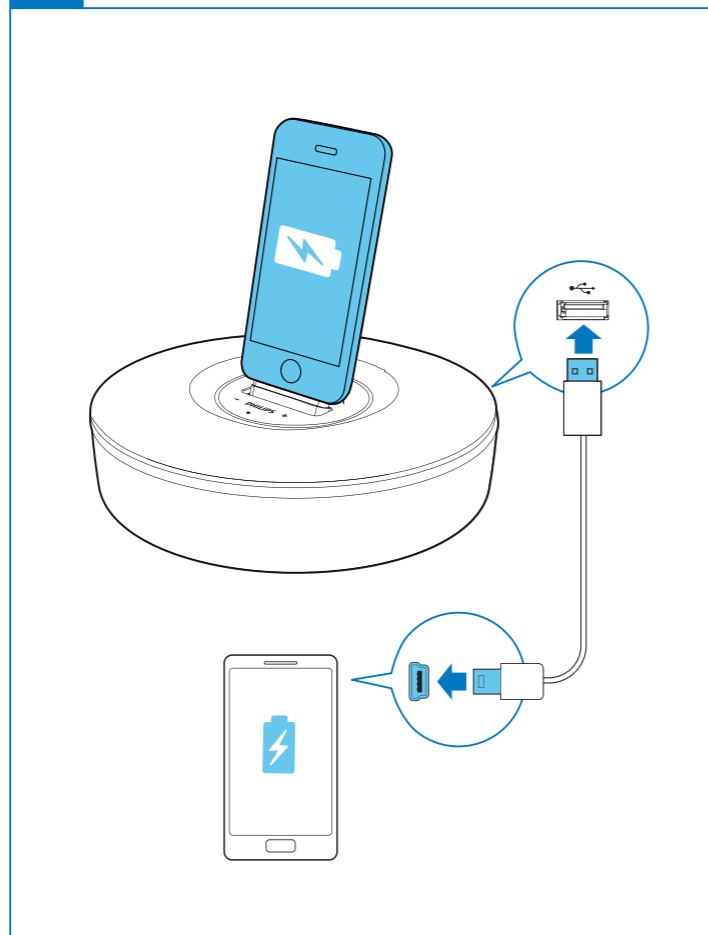
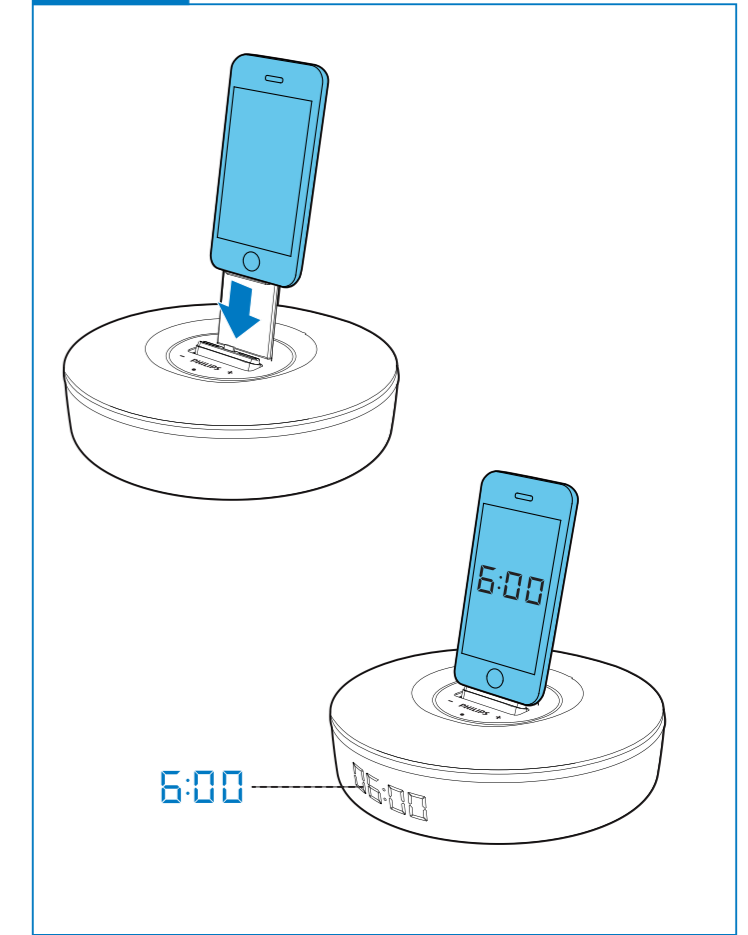
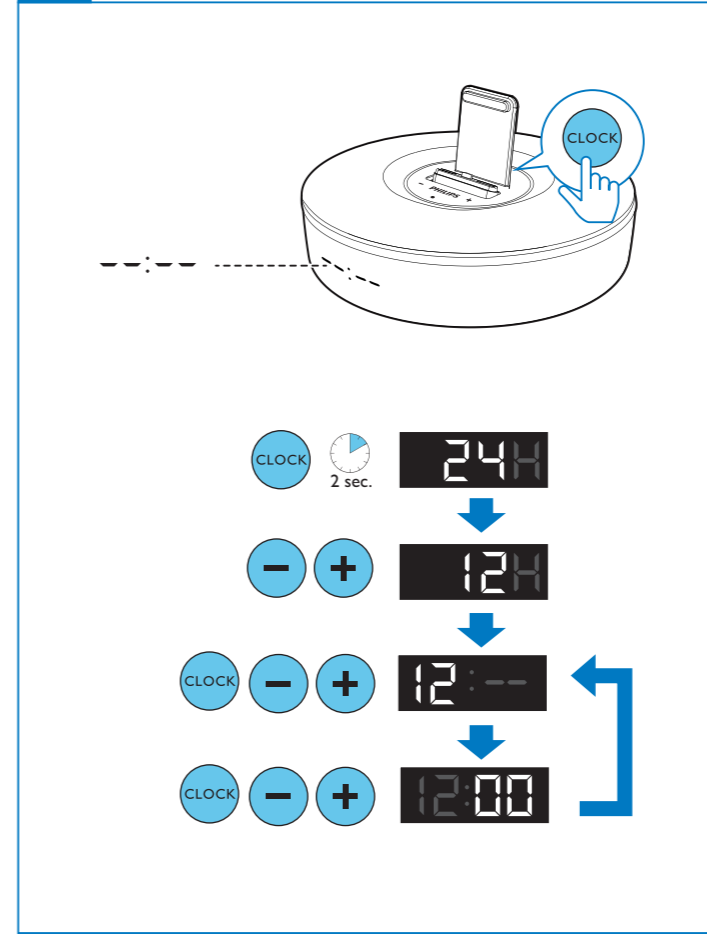
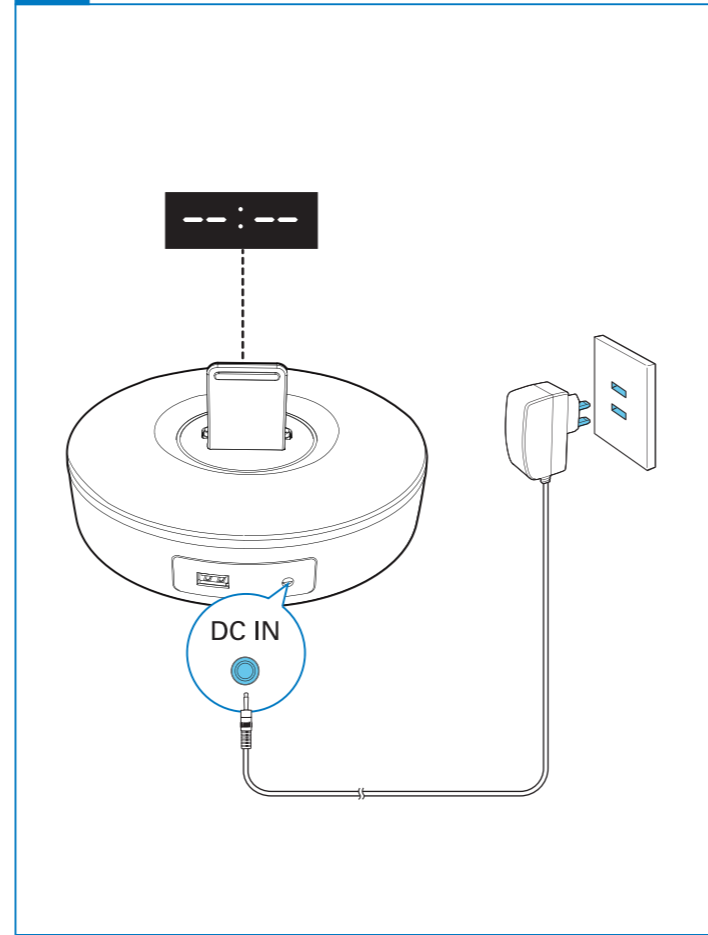
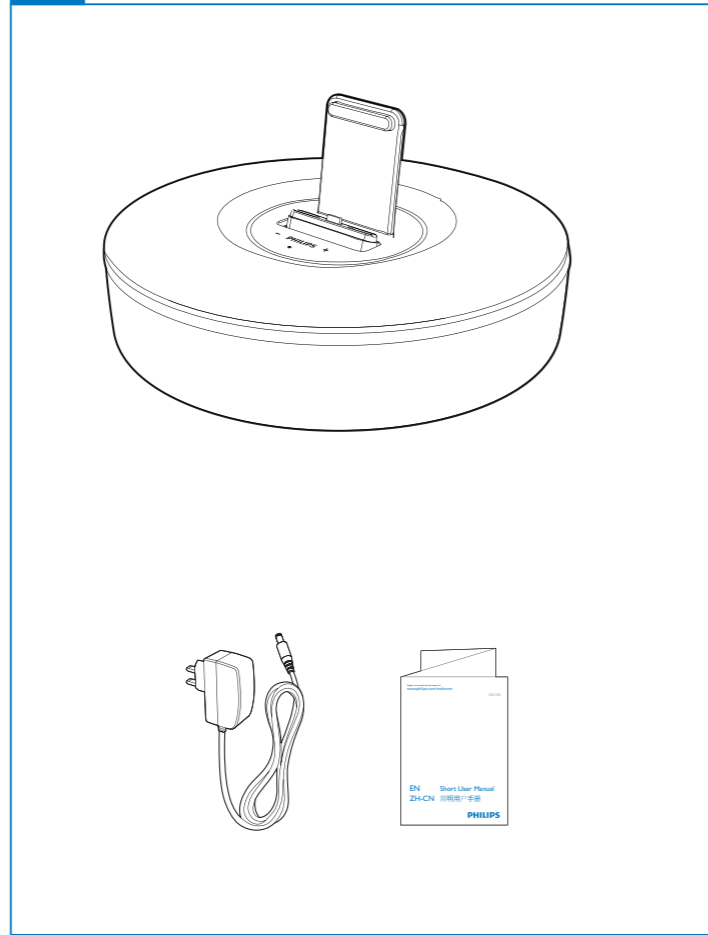
EN Short User Manual
ZH-CN 简明用户手册

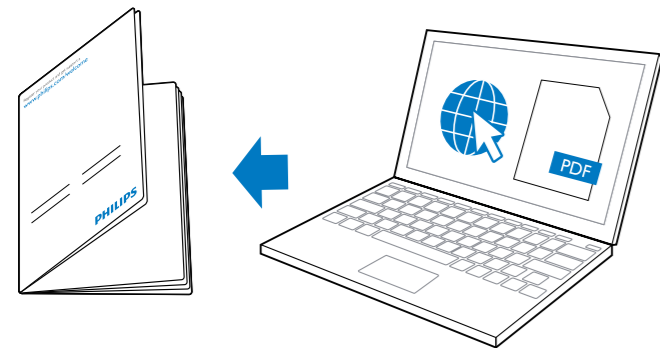
PHILIPS



All registered and unregistered trademarks are property of their respective owners.
© 2013 Koninklijke Philips Electronics N.V.
All rights reserved.

DS1155_93_Short User Manual_V1.0





www.philips.com/support



EN Before using your product, read all accompanying safety information.

To get the full user manual, visit www.philips.com/support.

ZH-CN 使用产品之前, 请阅读所有随附的安全信息。

要获取完整的用户手册, 请访问 www.philips.com/support。



Specifications

Amplifier	
Rated Output Power	2X3 W RMS
Signal to Noise Ratio	77 dBA
General information	
AC power (power adaptor)	OH-1018A0602400U-CCC (Philips) Input: 100-240 V~.50/60 Hz 650 mA Output: 6 V \equiv 2.4 A
Operation Power Consumption	18 W
Charging (USB)	\leq 500 mA
Dimensions - Main Unit	177 x 177 x 100 mm
Weight - Main Unit	0.88 kg



规格

功放器	
额定输出功率	2X3 W RMS
信噪比	77 dB
一般信息	
交流电源 (电源适配器)	OH-1018A0602400U-CCC (Philips) 输入: 100-240 伏, 50/60 赫兹 650 毫安 输出: 6 V \equiv 2.4 安
工作功耗	18 瓦
充电(USB)	\leq 500 毫安
尺寸 - 主机 (W x H x D)	177 x 177 x 100 毫米
重量 - 主机	0.88 公斤



EN Congratulations on your purchase and welcome to Philips!
To fully benefit from the support that Philips offers, register your product at www.philips.com/welcome.

Safety

Important Safety Instructions

- Heed all warnings.
- Follow all instructions.
- Do not use this apparatus near water.
- Clean only with dry cloth.
- Do not block any ventilation openings. Install in accordance with the manufacturer's instructions.
- Do not install near any heat sources such as radiators, heat registers, stoves, or other apparatus (including amplifiers) that produce heat.
- Protect the power cord from being walked on or pinched, particularly at plugs, convenience receptacles, and the point where they exit from the apparatus.

- Only use attachments/accessories specified by the manufacturer.
- Unplug this apparatus during lightning storms or when unused for long periods of time.
- Refer all servicing to qualified service personnel. Servicing is required when the apparatus has been damaged in any way, such as power-supply cord or plug is damaged, liquid has been spilled or objects have fallen into the apparatus, the apparatus has been exposed to rain or moisture, does not operate normally, or has been dropped.
- Apparatus shall not be exposed to dripping or splashing.
- Do not place any sources of danger on the apparatus (e.g. liquid filled objects, lighted candles).
- Where the plug of the Direct Plug-in Adapter is used as the disconnect device, the disconnect device shall remain readily operable.



Warning

- Never remove the casing of this apparatus.
- Never lubricate any part of this apparatus.
- Never place this apparatus on other electrical equipment.
- Keep this apparatus away from direct sunlight, naked flames or heat.
- Make sure that you always have easy access to the power cord, plug, or adaptor to disconnect the apparatus from the power.

Notice

Any changes or modifications made to this device that are not expressly approved by Philips Consumer Lifestyle may void the user's authority to operate the equipment.

Disposal of your old product

Your product is designed and manufactured with high quality materials and components, which can be recycled and reused. Never dispose of your product with other household waste. Please inform yourself about the local rules on the separate collection of electrical and electronic products and batteries. The correct disposal of these products helps prevent potentially negative consequences on the environment and human health. Please visit www.recycle.philips.com for additional information on a recycling center in your area.

Environmental information

All unnecessary packaging has been omitted. We have tried to make the packaging easy to separate into three materials: cardboard (box), polystyrene foam (buffer) and polyethylene (bags, protective foam sheet.) Your system consists of materials which can be recycled and reused if disassembled by a specialized company. Please observe the local regulations regarding the disposal of packaging materials, exhausted batteries and old equipment.



The making of unauthorized copies of copy-protected material, including computer programs, files, broadcasts and sound recordings, may be an infringement of copyrights and constitute a criminal offence. This equipment should not be used for such purposes.



"Made for iPod" and "Made for iPhone" mean that an electronic accessory has been designed to connect specifically to iPod or iPhone respectively, and has been certified by the developer to meet Apple performance standards. Apple is not responsible for the operation of this device or its compliance with safety and regulatory standards. Please note that the use of this accessory with iPod or iPhone may affect wireless performance. iPod and iPhone are trademarks of Apple Inc., registered in the U.S. and other countries.



Note

- The type plate is located on the bottom of the apparatus.

ZH-CN

安全

重要安全说明

- 注意所有警告。
- 遵循所有说明。
- 不要在靠近水的地方使用本装置。
- 只能使用干布进行清洁。
- 不要堵塞任何通风口。按照制造商的说明进行安装。
- 不要在任何热源附近安装, 如散热器、蓄热器、炉具或其它发热设备 (包括功放器)。
- 防止电源线被踩踏或挤夹, 特别是在插头、电源插座和设备电源线出口位置。
- 仅使用制造商指定的附件/配件。
- 在雷电天气期间或长期不用的情况下, 请拔下本装置的电源插头。
- 所有维修均应由合格的维修人员来执行。本装置有任何损坏时, 如电源线或插头损坏, 液体泼溅到或物体跌落到装置上, 装置淋雨或受潮, 无法正常运行, 或者跌落, 均需要进行维修。
- 切勿将本装置置于漏水或溅水环境下。
- 不要将任何危险源放在本装置上 (例如装有液体的物体、点燃的蜡烛)。
- 如果将直插式适配器的插头用作断开设备, 则断开设备应可以随时使用。



警告

- 切勿拆下本产品的外壳。
- 切勿润滑本装置的任何部件。
- 切勿将本装置放在其它电器设备上。
- 应让本装置远离阳光直射、明火或高温。
- 确保始终可轻易地接触到电源线、电源插头或适配器, 以便将本装置从电源断开连接。

注意

如果用户未经 Philips 优质生活部门的明确许可而擅自对此设备进行更改或修改, 则可能导致其无权操作此设备。

弃置旧产品

本产品采用可回收利用的高性能材料和组件制造而成。切勿将本产品与其它生活垃圾一起处理。请自行了解当地关于分类收集电子、电气产品及电池的规定。正确弃置这些产品有助于避免对环境对人体健康造成潜在的负面影响。关于您所在地区回收中心的更多信息, 请访问 www.recycle.philips.com。

环境信息

已省去所有不必要的包装。我们努力使包装易于分为三种材料: 纸板 (盒)、泡沫塑料 (缓冲物) 和聚乙烯 (袋、保护性泡沫片)。您的系统包含可回收利用的材料 (如果由专业公司拆卸)。请遵守当地有关包装材料、废电池和旧设备的处理的规定。



进行受版权保护材料 (包括计算机程序、文件、广播和录音) 的未授权复制可能会侵犯版权并构成犯罪。不得将此设备用于这些目的。



"Made for iPod" 和 "Made for iPhone" 表示电子附件专为连接 iPod 或 iPhone 而设计, 并经开发人员认证, 符合 Apple 性能标准。Apple 对该设备的操作及其是否符合安全和法规标准不负任何责任。请注意, 通过 iPod 或 iPhone 使用该附件可能影响无线性能。iPod 和 iPhone 是 Apple Inc. 在美国 和其它国家/地区注册的商标。



注

- 型号铭牌位于本设备的底部。

部件名称 Name of the Parts	有毒有害物质或元素 Hazardous/toxic Substance				
	铅 (Pb, Lead)	汞 (Hg, Mercury)	镉 (Cd, cadmium)	六价铬 (Chromium 6+)	多溴联苯 (PBB)
Housing 外壳	○	○	○	○	○
Loudspeakers 喇叭单元	○	○	○	○	○
PWBs 电路板组件	○	○	○	○	○
Accessories (Remote control & cables) 附件 (遥控器, 电源线, 连接线)	○	○	○	○	○

○: 表示该有毒有害物质在该部件所有均质材料中的含量均在SJ/T11363-2006标准规定的限量要求以下。
○: Indicates that this toxic or hazardous substance contained in all of the homogeneous materials for this part is below the limit requirement in SJ/T11363 - 2006.

x: 表示该有毒有害物质至少在该部件的某一均质材料中的含量超出SJ/T11363 - 2006标准规定的限量要求。
X: indicates that this toxic or hazardous substance contained in at least one of the homogeneous materials used for this part is above the limit requirement in SJ/T11363 - 2006.



环保使用期限 Environmental Protection Use Period

This logo refers to the period (10 years)

电子信息产品中含有的有毒有害物质或在正常使用条件下不会发生外泄或突变, 电子信息产品用户使用该电子信息产品不会对环境污染造成严重污染或对其人身、财产造成严重损害的期限。

This logo refers to the period (10 years) during which the toxic or hazardous substances or elements contained in electronic information products will not leak or mutate so that the use of these [substances or elements] will not result in any severe environmental pollution, any bodily injury or damage to any assets.