



Quick Use Guide



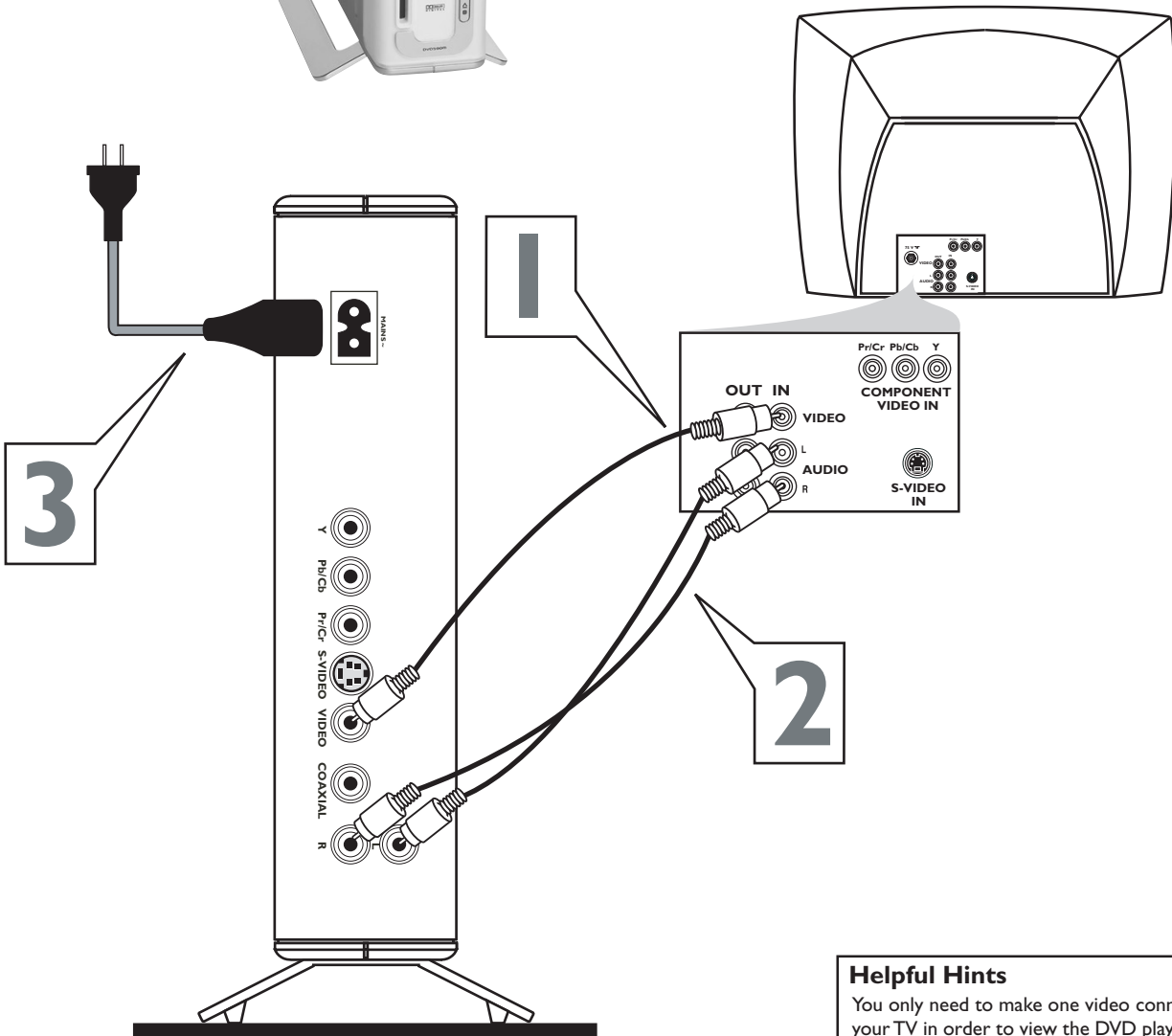
PHILIPS

12nc: 8239 210 98131
Printed in China



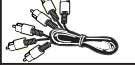



First connect ...



DVD590M



Helpful Hints
You only need to make one video connection to your TV in order to view the DVD playback.

	Use this video cable(s)	If your TV has this video input jack(s)
1		 VIDEO IN
2		 Component Video
3	not supplied 	 S-VIDEO IN

... then play

(see next page)



continue...

1 Turn on the TV, then press **⏻** to turn on the DVD Player.
You should see the blue Philips DVD background screen on the TV (if no disc in the DVD Player).

2 Gently insert a disc into the disc slot. From that point, the Player will take the disc and load it automatically.
Make sure the disc label is facing left. For double-sided discs, load the side you want to play facing left. For 8cm discs, load it in the middle of the disc slot.

3 Playback will start automatically.
If a disc menu appears, use **▲▼◀▶** buttons on the remote to make the necessary selection, then press **OK** to confirm. Or, use the numeric keypad on the remote to select features. Follow the instructions given in the disc menu.

4 To stop playback, press **■**.

Make sure your DVD Player and TV are connected and turned on!

Playing a disc

No picture?

Check the AV (Audio/Video) mode on your TV.

- * Usually this channel is between the lowest and highest channels and may be called FRONT, A/V IN, or VIDEO.
- * Or, you may go to channel 1 on your TV, then press the Channel down button repeatedly until you see the Video In channel.
- * Or, your TV remote control may have a button or switch that chooses different video modes.
- * Do not use channel 3 or 4 on the TV unless you are using an RF modulator.
- * See your TV manual for more details.

Region Codes
DVDs must be labeled for ALL regions or for Region 1 in order to play on this DVD system.

Detailed playback features and additional functions are described in the accompanying owner's manual.

