

Register your product and get support at  
[www.philips.com/welcome](http://www.philips.com/welcome)

SPS8038A



# User manual

**PHILIPS**



# 1 Important safety instructions

This manual contains important information about the Philips home charging station. Read it carefully before you start the installation and setup.

## Warning

- Do not operate your home charging station near the rain or wet areas.
- Do not operate your home charging station if liquid of any kind is spilled onto or inside the unit.
- Do not disassemble or repair.
- Do not expose your home charging station to direct sunlight or place it near wall heaters, space heaters, or enclosed space prone to temperature increase.
- The Philips home charging station requires a properly grounded outlet for safety and to protect the connected equipment. If you are not sure whether your home's electrical wiring has proper grounding, consult a qualified electrician.

## Caution

- Risk of electrical shock! Not for use outdoors or in other wet or damp areas, with aquariums, in hazardous environments requiring failsafe performance (such as nuclear facilities or aircraft), or for medical or life support equipment.

## Notice for USA

This equipment has been tested and found to comply with the limits for a Class B digital device, pursuant to part 15 of the FCC Rules. These limits are designed to provide reasonable protection against harmful interference in a residential installation. This equipment generates, uses and can radiate radio frequency energy and, if not installed and used in accordance with the instruction manual, may cause harmful interference to radio communications.

However, there is no guarantee that interference will not occur in a particular installation. If this equipment does cause harmful interference to radio or television reception, which can be determined by turning the equipment off and on, the user is encouraged to try to correct the interference by one or more of the following measures:

- Relocate the receiving antenna.
- Increase the separation between equipment and receiver.
- Connect the equipment into an outlet on a circuit different from that to which the receiver is connected.
- Consult the dealer or an experienced radio/TV technician for help.

## Recycling



Your product is designed and manufactured with high quality materials and components, which can be recycled and reused.

Never dispose of your product with other household waste. Please inform yourself about the local rules on the separate collection of electrical and electronic products. The correct disposal of your old product helps prevent potentially negative consequences on the environment and human health.

The packaging of this product is intended to be recycled. Contact your local authorities for information about how to recycle the packaging.

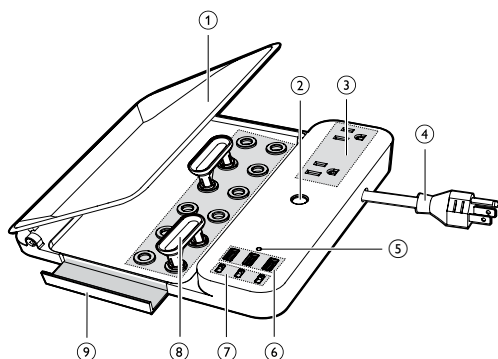
## 2 Your home charging station

Congratulations on your purchase and welcome to Philips!

To fully benefit from the support that Philips offers, register your product at [www.philips.com/welcome](http://www.philips.com/welcome).

---

### Overview



- ① Non-slip panel
- ② POWER button
- ③ AC outlet
- ④ Power cord
- ⑤ LED
- ⑥ USB charging port
- ⑦ USB charging configuration switch
- ⑧ Cable clip
- ⑨ Slide-out tray

# 3 Get started

## Warning

- To avoid any potential hazard, use the power source supplied by your local authorities.

- 1 Put the home charging station on a flat surface.
- 2 Plug the home charging station into a properly grounded outlet.

# 4 Charge your devices

## Charge from AC outlet

There are two AC outlets in this home charging station.

- 1 Plug a proper charging adaptor (not included) into the AC outlet.
- 2 Connect your device to output of the charging adaptor.
- 3 Put your device on the non-slip panel or the sliding tray.
- 4 Press **POWER** button to turn the home charging station on.
  - ↳ The LED turns on.
  - ↳ The connected device is charged for six hours continuously.
- 5 Lift up the non-slip panel for easier viewing.

### \* Tip

- The AC output fully turns off automatically after six hours. To ensure a full six-hour charging cycle, press **POWER** button when a new device is plugged into this home charging station.
- If one device is fully charged within six hours and another device needs to be charged, you can press **POWER** button, the home charging station starts to work for another six hours continuously and the LED flashes for three times to confirm.

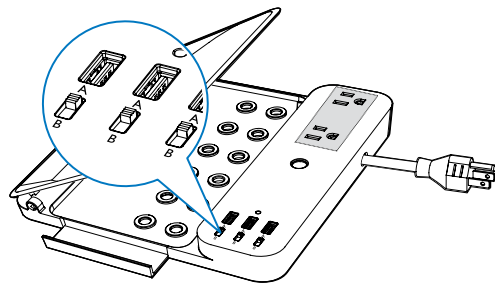
## Charge from USB port

There are three USB charging ports in this home charging station.

### ≡ Note

- Each USB charging port is controlled by a related USB charging configuration switch. You can set the switch to **A** for charging iPod, iPhone and iPad and set the switch to **B** for other USB devices.

- 1 Set the USB charging configuration switch to **A** or **B**.



- 2 Connect your device to the home charging station with a proper USB cable (not included).
- 3 Put your device on the non-slip panel or the slide-out tray.
- 4 Press **POWER** button to turn the home charging station on.
  - ↳ The LED turns on.
  - ↳ The connected device is charged for six hours continuously.
- 5 Lift up the non-slip panel for easier viewing.

### \* Tip

- The home charging station fully turns off automatically after six hours. To ensure a full six-hour charging cycle, press **POWER** button when a new device is plugged into this home charging station.
- If one device is fully charged within six hours and another device needs to be charged, you can press **POWER** button, the charging station starts to work for another six hours continuously and the LED flashes for three times to confirm.
- If your device is not charged, try to unplug the USB cable, change the related USB charging configuration switch, then plug in the USB cable again.
- In case a device can only be charged with its original adaptor, you can charge from an AC outlet of this charging station.

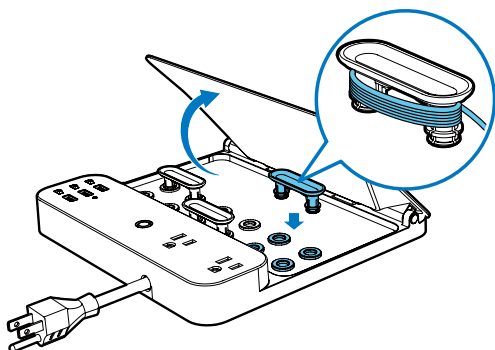
## 5 Other features

---

### Tidy up cables

You can tidy up your cables and make them neat with cable clips.

- 1 Lift up the non-slip panel.
- 2 Route your cables through the cable clips.
- 3 Fix the cable clips onto the home charging station freely.

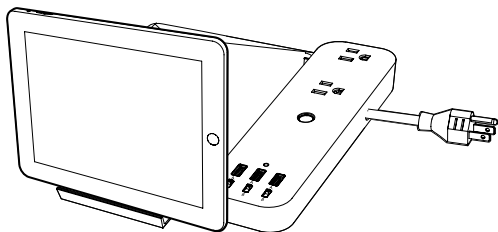


---

### Use the slide-out tray

The slide-out tray can hold the charged device securely.

- 1 Slide out the tray.
- 2 Put the charged device on the tray.



# 6 Limited warranty

---

## Limited One-Year Warranty

Philips warrants that this product shall be free from defects in material, workmanship and assembly, under normal use, in accordance with the specifications and warnings, for a period of one year from the date of purchase.

This warranty does not cover damages (a) as a result of an accident; (b) resulting from the use of parts not manufactured or sold by Philips; (c) or resulting from modification of the surge protector. After any repair or modification of the surge protector by a facility not authorized by Philips, any problems that arise will not be remedied under this warranty.

These warranties extend only to the original purchaser of the product, and are not transferable. To exercise your rights under this warranty, you must provide proof of purchase in the form of an original sales receipt that shows the product name and the date of purchase.

For customer support or to obtain warranty service, please visit our website **[www.philips.com/support](http://www.philips.com/support)**. There are no other express or implied warranties. Philips' liability is limited to repair or, at its sole option, replacement of the product. Incidental, special and consequential damages are disclaimed where permitted by law. This warranty gives you specific legal rights. You may also have other rights that vary from state to state.





