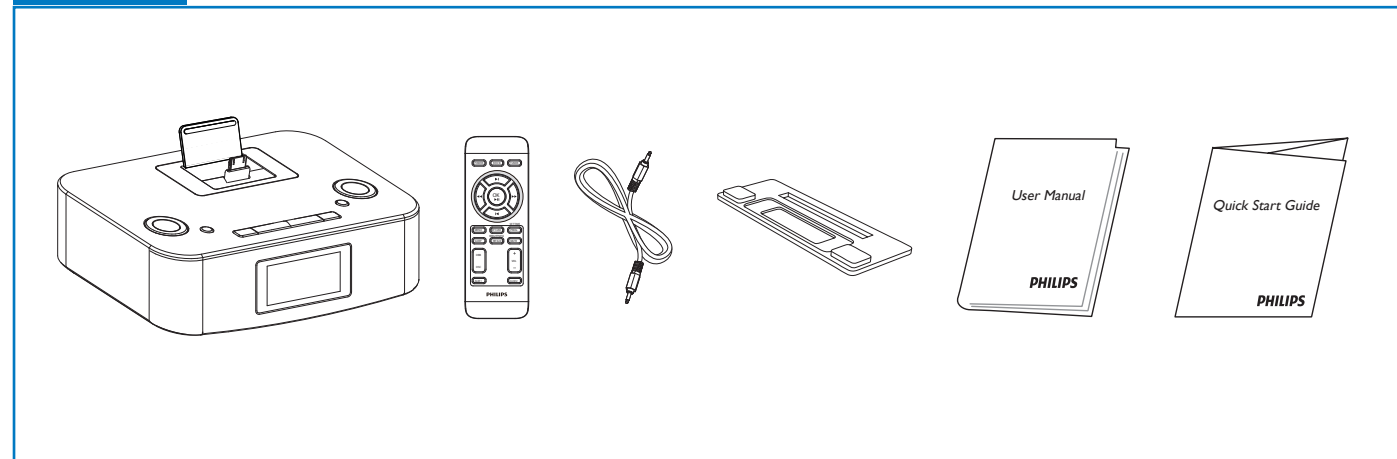


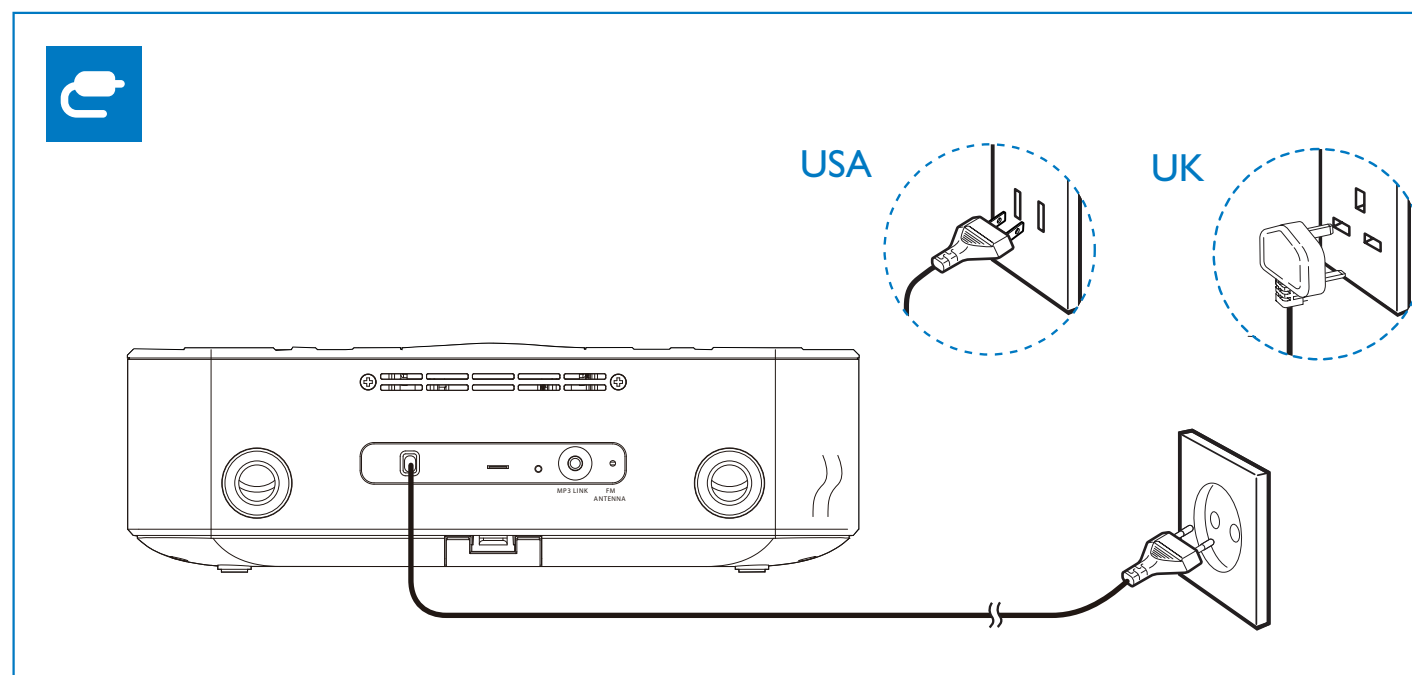
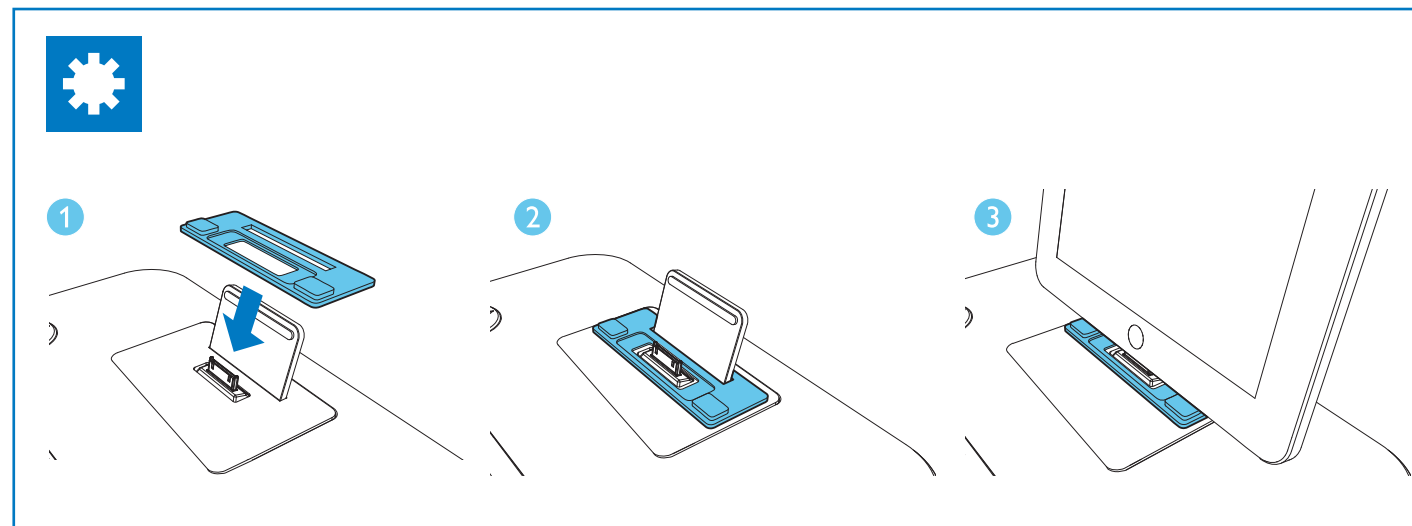
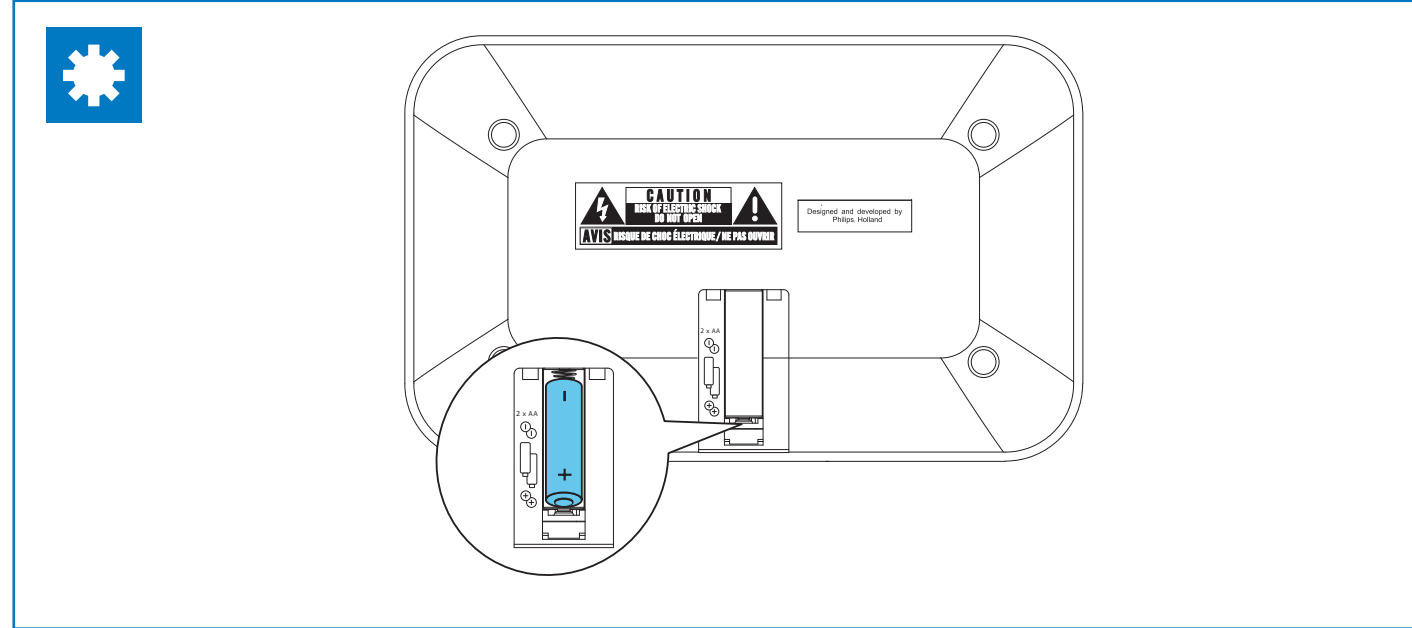
Register your product and get support at [www.philips.com/welcome](http://www.philips.com/welcome)

DC291



**PHILIPS**

# 1



# 2

**SET TIME**  
PROG 2 sec.

OK

▶

◀

**SET TIME**  
PROG

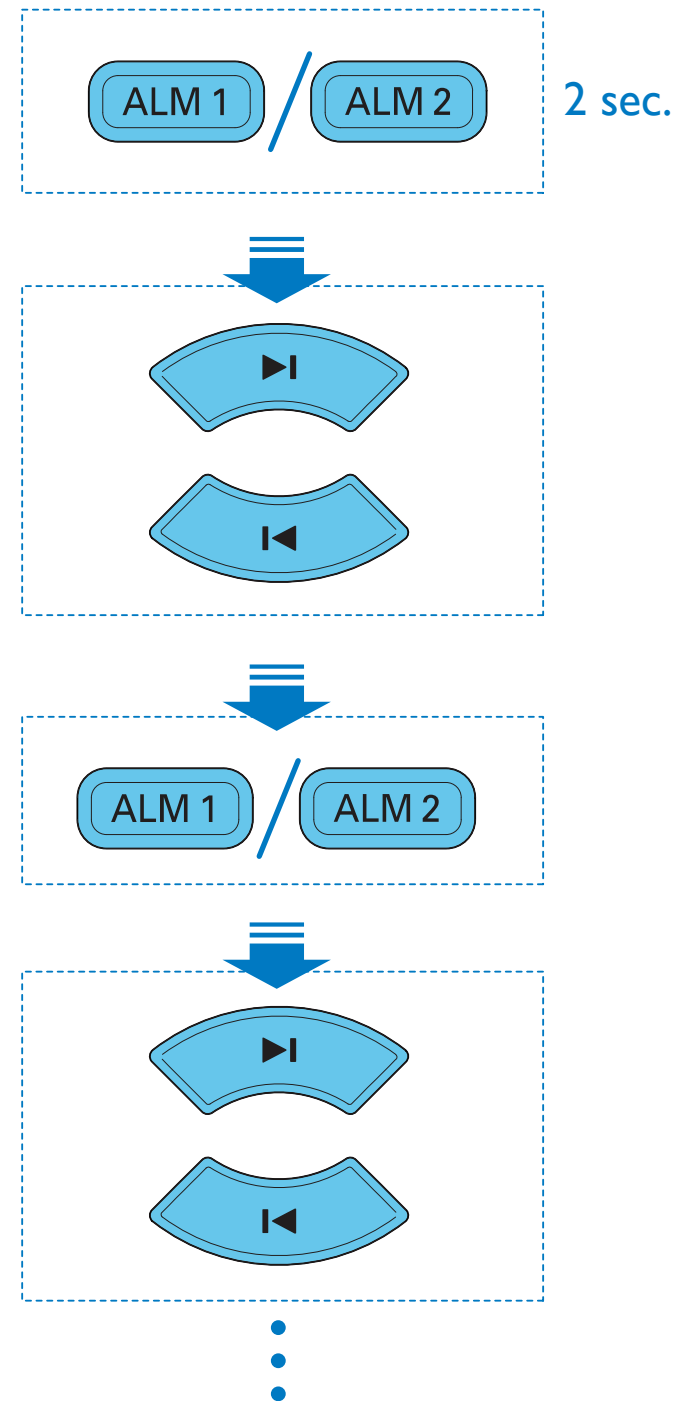
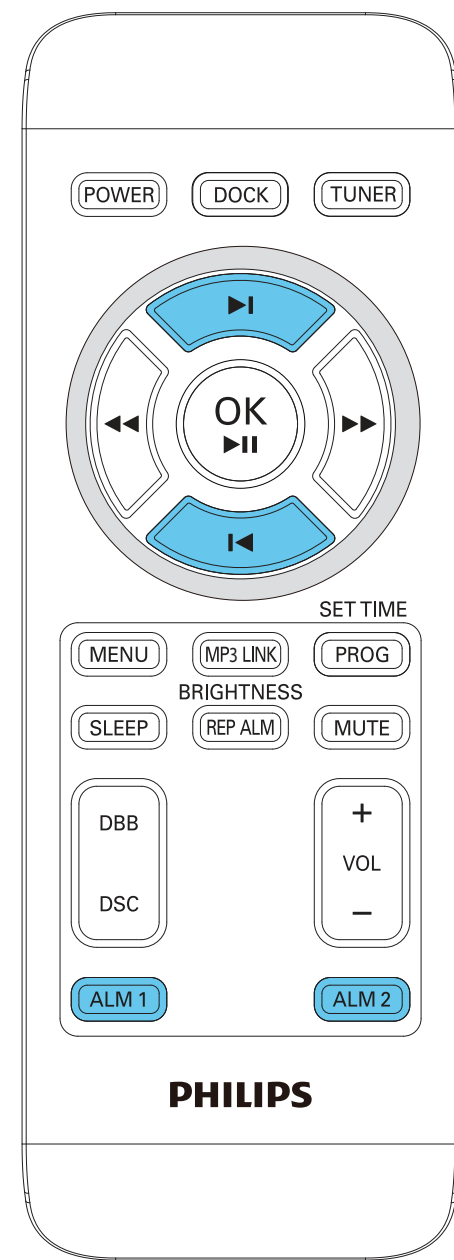
▶

◀

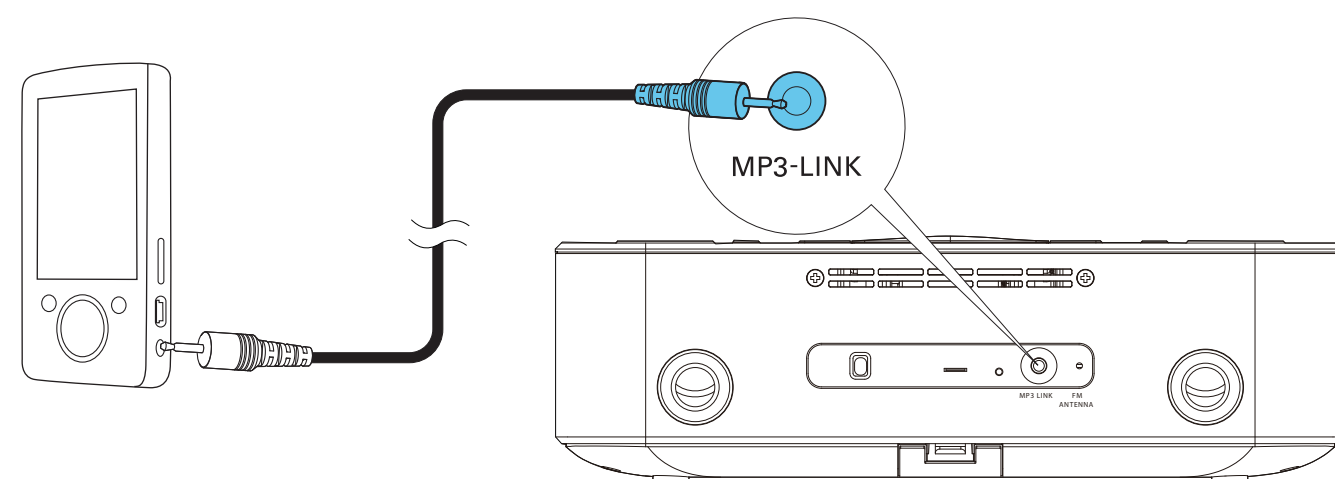
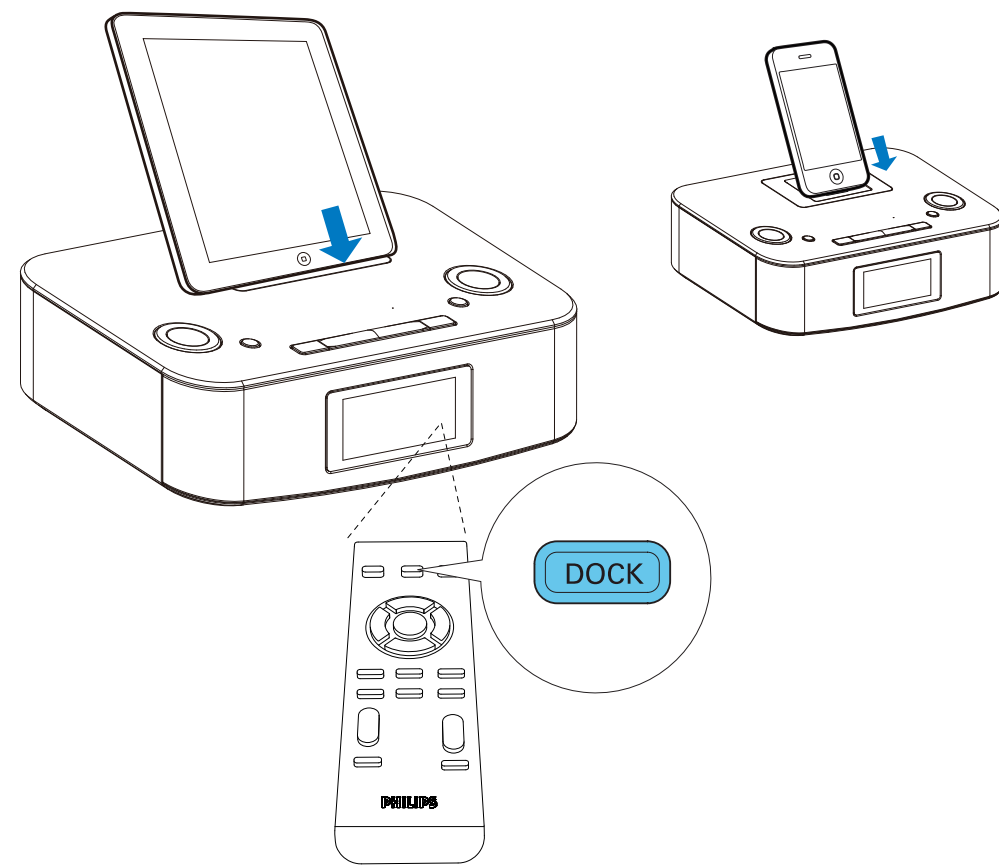
⋮



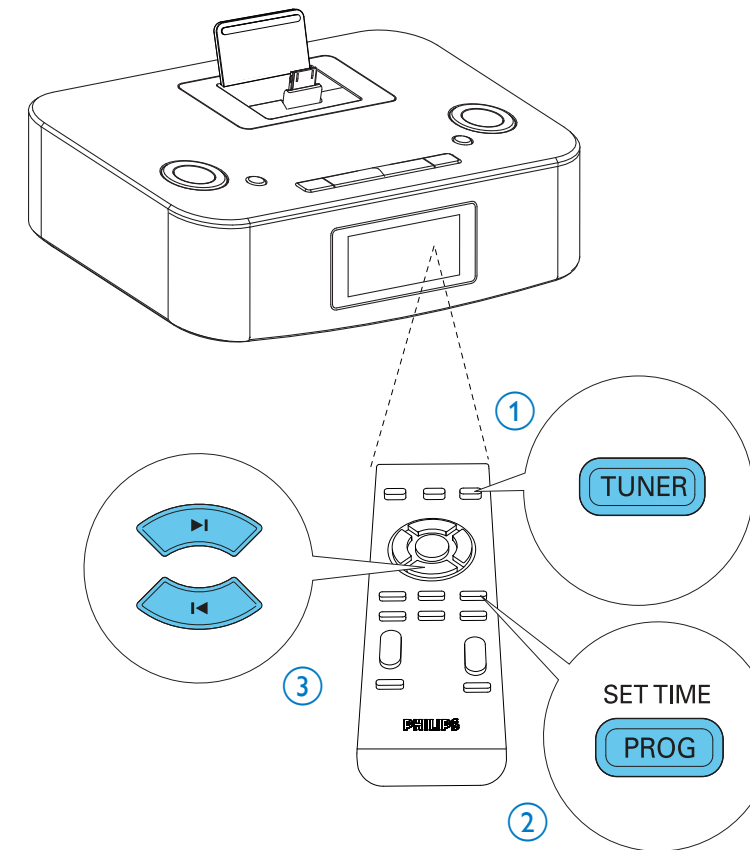
# 3



# 4



# 5



Specifications are subject to change without notice.  
 2013 © WOOX Innovations Limited. All rights reserved.  
 This product was brought to the market by WOOX Innovations Limited or one of its affiliates, further referred to in this document as WOOX Innovations, and is the manufacturer of the product. P&F is the warrantor in relation to the product with which this booklet was packaged. Philips and the Philips Shield Emblem are registered trademarks of Koninklijke Philips N.V.

