

# Always there to help you

Register your product and get support at  
[www.philips.com/support](http://www.philips.com/support)



BT3550



## User manual

# PHILIPS

# Contents

---

|          |                  |          |
|----------|------------------|----------|
| <b>1</b> | <b>Important</b> | <b>2</b> |
|----------|------------------|----------|

---

|          |                               |          |
|----------|-------------------------------|----------|
| <b>2</b> | <b>Your Bluetooth speaker</b> | <b>2</b> |
|          | Introduction                  | 2        |
|          | What's in the box             | 2        |
|          | Overview of the speaker       | 3        |

---

|          |                             |          |
|----------|-----------------------------|----------|
| <b>3</b> | <b>Get started</b>          | <b>4</b> |
|          | Place the speaker           | 4        |
|          | Charge the built-in battery | 4        |
|          | Turn on/off                 | 4        |

---

|          |                              |          |
|----------|------------------------------|----------|
| <b>4</b> | <b>Use Bluetooth devices</b> | <b>5</b> |
|          | Connect a device             | 5        |
|          | Play from Bluetooth device   | 6        |
|          | Control your phone call      | 6        |

---

|          |                              |          |
|----------|------------------------------|----------|
| <b>5</b> | <b>Other features</b>        | <b>7</b> |
|          | Listen to an external device | 7        |
|          | Adjust volume                | 7        |

---

|          |                            |          |
|----------|----------------------------|----------|
| <b>6</b> | <b>Product information</b> | <b>7</b> |
|          | Specifications             | 7        |

---

|          |                        |          |
|----------|------------------------|----------|
| <b>7</b> | <b>Troubleshooting</b> | <b>8</b> |
|          | General                | 8        |
|          | About Bluetooth device | 8        |

---

|          |                         |          |
|----------|-------------------------|----------|
| <b>8</b> | <b>Notice</b>           | <b>9</b> |
|          | Compliance              | 9        |
|          | Care of the environment | 9        |
|          | Trademark notice        | 10       |

# 1 Important

## Warning

- Never remove the casing of this speaker.
- Never lubricate any part of this speaker.
- Never place this speaker on other electrical equipment.
- Keep this speaker away from direct sunlight, naked flames or heat.

- Make sure that there is enough free space around the speaker for ventilation.
- Only use attachments or accessories specified by the manufacturer.
- The battery shall not be exposed to excessive heat such as sunshine, fire or the like.
- The speaker shall not be exposed to dripping or splashing.
- Do not place any sources of danger on the speaker (e.g. liquid filled objects, lighted candles).

## Note

- The type plate is located on the back of the product.

# 2 Your Bluetooth speaker

Congratulations on your purchase, and welcome to Philips! To fully benefit from the support that Philips offers, register your product at [www.philips.com/welcome](http://www.philips.com/welcome).

## Introduction

With this speaker, you can

- enjoy audio from your Bluetooth-enabled devices or other external audio devices; and
- control the incoming phone call through Bluetooth connection.

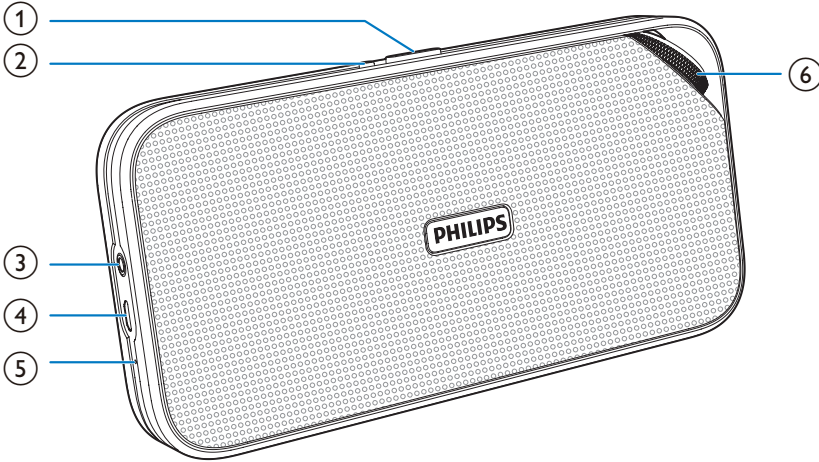
## What's in the box

Check and identify the contents of your package:

- Main unit
- USB cable
- Short user manual
- Safety and notice leaflet



## Overview of the speaker



- ① **Source selector (OFF/0/AUDIO IN)**
  - Turn the speaker on or off.
  - Select Bluetooth or AUDIO IN source.
- ② **Call control**
  - Answer or reject an incoming call.
  - End the current phone call.
  - Transfer the call to your mobile device.
  - Disconnect Bluetooth connection.
  - Enter Bluetooth pairing mode.
- ③ **AUDIO IN**
  - Connect an external audio device.
- ④ **DC IN**
  - Recharge the built-in battery.
- ⑤ **MIC**
  - Integrated microphone.
- ⑥ **Volume knob**
  - Adjust volume.

# 3 Get started

Always follow the instructions in this chapter in sequence.

## Place the speaker

To place the speaker on a flat surface, pull out the retractable stand from the backside of the speaker:

## Charge the built-in battery

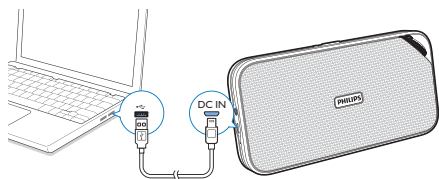
The speaker is powered by a built-in rechargeable battery.

### Note

- Before use, fully charge the built-in battery.
- The micro USB socket is for charging only.
- Rechargeable battery has a limited number of charge cycles. Battery life and number of charge cycles vary by use and settings.

Connect the USB cable between

- the **DC IN** socket on the speaker; and
- a USB socket of a computer:

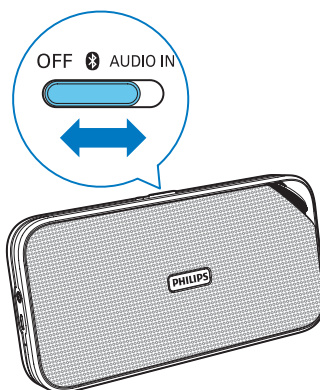


The LED indicator on the top indicates the battery status.

|   | LED indicator | Battery status |
|---|---------------|----------------|
| When the speaker is turned off                    | Solid red     | Under charging |
| When the speaker is turned off                    | Off           | Fully charged  |
| When the speaker is in Bluetooth or Audio-in mode | Flashing red  | Low power      |

## Turn on/off

- To turn the speaker on, slide the source selector to **OFF** or **AUDIO IN**.  
↳ The speaker switches to the Bluetooth or Audio in mode.
- To turn the speaker off, slide the source selector to **OFF**.



---

## Switch to standby mode

- In Bluetooth mode, if Bluetooth connection is invalid or music playback is stopped for 15 minutes, this speaker switches to standby mode automatically.
  - In Audio-in mode, if the audio-in cable is disconnected or music playback is stopped for 15 minutes, this speaker switches to standby mode automatically.
- ↳ To return to Bluetooth or Audio-in mode, slide the source selector to **OFF** first, then to **📶** or **AUDIO IN** position.

# 4 Use Bluetooth devices

With this speaker, you can listen to audio from Bluetooth-enabled devices and control the incoming call through Bluetooth.

---

## Connect a device

### Note

- Make sure that your Bluetooth device is compatible with this speaker.
- Before pairing a device with this speaker, read its user manual for Bluetooth compatibility.
- The speaker can memorize a maximum of 4 paired devices.
- Make sure that Bluetooth function is enabled on your device, and your device is set as visible to all other Bluetooth devices.
- Any obstacle between this speaker and a Bluetooth device can reduce the operational range.
- Keep away from any other electronic device that may cause interference.

---

## Connect a device manually

### Note

- The operational range between this speaker and a Bluetooth device is approximately 10 meters (30 feet).

- 1** Slide the source selector to **📶**.  
↳ The LED indicator flashes in blue.
- 2** On your Bluetooth device, enable Bluetooth and search for Bluetooth devices (refer to the user manual of the device).
- 3** When **[BT3550]** is displayed on your device, select it to start pairing and connection. If necessary, enter default password "0000".  
↳ After successful pairing and connection, the speaker beeps twice, and the LED indicator turns solid blue.

#### To disconnect the Bluetooth-enabled device:

- Press and hold **⏻** for 3 seconds;
- Disable Bluetooth on your device; or
- Move the device beyond the communication range.

#### To reconnect the Bluetooth-enabled device:

- Next time you turn on the speaker; the speaker will reconnect the last connected device automatically; or
- On your Bluetooth device, select "Philips BT3550" on your Bluetooth menu to start connection.

#### To connect another Bluetooth-enabled device:

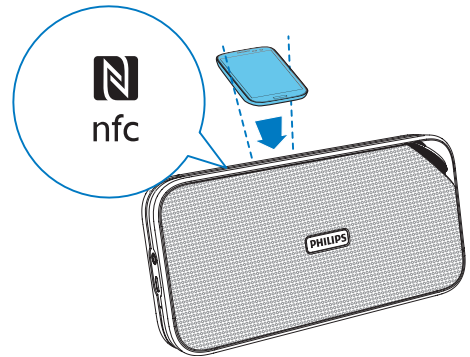
- 1 Press and hold **⏻** for 3 seconds to disconnect the currently connected device.  
↳ The speaker enters pairing mode.
- 2 Connect another Bluetooth device.

## Connect a device through NFC

Near Field Communication (NFC) is a technology that enables short-range wireless communication between various NFC compatible devices, such as mobile phones and IC tags.

If your Bluetooth device supports NFC, you can connect it with this speaker easily.

- 1 Slide the source selector to **Ⓜ**.
- 2 Enable the NFC feature on your Bluetooth enabled device (see the user manual of the device for details).
- 3 Touch the NFC tag on the top of the speaker with the back of your Bluetooth device.



- 4 On your Bluetooth device, accept the pairing request with "BT3550". If necessary, input "0000" as the pairing password.
- 5 Follow the on-screen instructions to complete the pairing and connection.  
↳ After successful pairing and connection, the speaker beeps twice and the LED indicator turns solid blue.

| LED indicator | Description                          |
|---------------|--------------------------------------|
| Flashing blue | Connecting or waiting for connection |
| Solid blue    | Connected                            |

## Play from Bluetooth device

### Note

- If there is an incoming call on the connected mobile phone, music play pauses.

After successful Bluetooth connection, play audio on the Bluetooth device.

- ↳ Audio streams from your Bluetooth device to the speaker.

## Control your phone call

After Bluetooth connection, you can control an incoming call with this speaker:

| Button   | Function                          |
|----------|-----------------------------------|
| <b>⏻</b> | Press to answer an incoming call. |

| Button | Function  |
|--------|---|
|        | Press and hold to reject an incoming call.                                |
|        | During a call, press to end the current call.                             |
|        | During a call, press and hold to transfer the call to your mobile device. |

#### Note

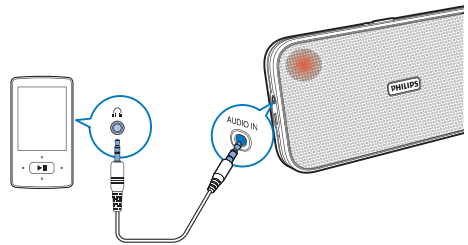
- You can talk through the microphone of the speaker.
- Music play pauses when there is an incoming call, and resumes when your phone call ends.

## 5 Other features

### Listen to an external device

With this speaker, you can also listen to an external audio device such as an MP3 player:

- 1 Connect an audio input cable with a 3.5 mm connector on both ends to
  - the **AUDIO IN** socket on this speaker;
  - and
  - the headphone socket on the external device.



- 2 Slide the source selector to **AUDIO IN**.  
↳ The LED indicator lights up in red.
- 3 Play audio on the external device (refer to its user manual).

### Adjust volume

Rotate the volume knob to increase or decrease the volume.



# 6 Product information

## Note

- Product information is subject to change without prior notice.

## Specifications

### Amplifier

|                       |                 |
|-----------------------|-----------------|
| Rated Output Power    | MAX 2 X 6 W RMS |
| Signal to Noise Ratio | > 62 dBA        |
| AUX Input             | 600 mV          |

### Bluetooth

|                    |                                 |
|--------------------|---------------------------------|
| Bluetooth version  | V3.0                            |
| Supported profiles | HFP v1.6, A2DP v2.1, AVRCP v1.0 |
| Range              | 10 m (Free space)               |

### General information

|                                    |                                     |
|------------------------------------|-------------------------------------|
| Power Supply (through USB socket)  | 5 V $\overline{=}$ 1 A              |
| Built-in Battery                   | Li-polymer battery (3.7V, 2200 mAh) |
| Dimensions - Main Unit (W x H x D) | 201 x 101 x 35 mm                   |
| Weight - Main Unit                 | 0.5 kg                              |

# 7 Troubleshooting



## Warning

- Never remove the casing of this device.

To keep the warranty valid, never try to repair the system yourself.

If you encounter problems when using this device, check the following points before requesting service. If the problem remains unsolved, go to the Philips Web page ([www.philips.com/support](http://www.philips.com/support)). When you contact Philips, make sure that the device is nearby and the model number and serial number are available.

## General

### No power

- Recharge your speaker.

### No sound

- Adjust volume on the speaker or the Bluetooth-connected device.
- Make sure that your Bluetooth device is within the effective operational range.

### No response from the speaker

- Restart the speaker.

## About Bluetooth device

### The audio quality is poor after connection with a Bluetooth-enabled device.

- The Bluetooth reception is poor: Move the device closer to this product or remove any obstacle between them.

### Cannot connect with the device.

- The Bluetooth function of the device is not enabled. Refer to the user manual of the device for how to enable the function.

- This product is already connected with another Bluetooth-enabled device. Disconnect that device and then try again.

**The paired device connects and disconnects constantly.**

- The Bluetooth reception is poor. Move the device closer to this product or remove any obstacle between them.
- For some devices, Bluetooth connection may be deactivated automatically as a power-saving feature. This does not indicate any malfunction of this product.

## 8 Notice

Any changes or modifications made to this device that are not expressly approved by WOOX Innovations may void the user's authority to operate the equipment.

---

### Compliance

# CE 1177

Hereby, WOOX Innovations declares that this product is in compliance with the essential requirements and other relevant provisions of Directive 1999/5/EC. You can find the Declaration of Conformity on [www.philips.com/support](http://www.philips.com/support).

---

### Care of the environment



Your product is designed and manufactured with high quality materials and components, which can be recycled and reused.



When this crossed-out wheeled bin symbol is attached to a product it means that the product is covered by the European Directive 2002/96/EC.

Please inform yourself about the local separate collection system for electrical and electronic products.

Please act according to your local rules and do not dispose of your old products with your normal household waste. Correct disposal of

your old product helps to prevent potential negative consequences for the environment and human health.



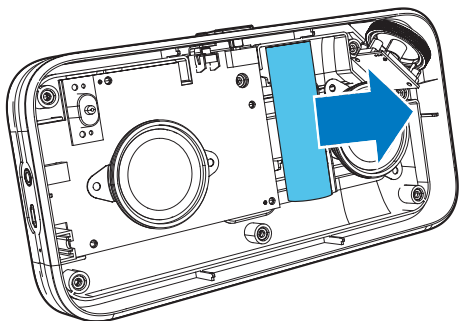
Your product contains batteries covered by the European Directive 2006/66/EC, which cannot be disposed with normal household waste. Please inform yourself about the local rules on separate collection of batteries because correct disposal helps to prevent negative consequences for the environmental and human health.



#### Caution

- Removal of the built-in battery invalidates the warranty and may destroy the product.

Always bring your product to a professional to remove the built-in battery.



#### Environmental information

All unnecessary packaging has been omitted. We have tried to make the packaging easy to separate into three materials: cardboard (box), polystyrene foam (buffer) and polyethylene (bags, protective foam sheet.)

Your system consists of materials which can be recycled and reused if disassembled by a specialized company. Please observe the local regulations regarding the disposal of packaging materials, exhausted batteries and old equipment.

---

## Trademark notice

### Bluetooth

The Bluetooth® word mark and logos are registered trademarks owned by Bluetooth SIG, Inc. and any use of such marks by WOOX Innovations is under license.



The N Mark is a trademark or registered trademark of NFC Forum, Inc. in the United States and in other countries.



Specifications are subject to change without notice.  
2014 © WOOX Innovations Limited. All rights reserved.  
Philips and the Philips' Shield Emblem are registered  
trademarks of Koninklijke Philips N.V. and are used by WOOX  
Innovations Limited under license from Koninklijke Philips N.V.

BT3550\_00\_UM\_V2.0

