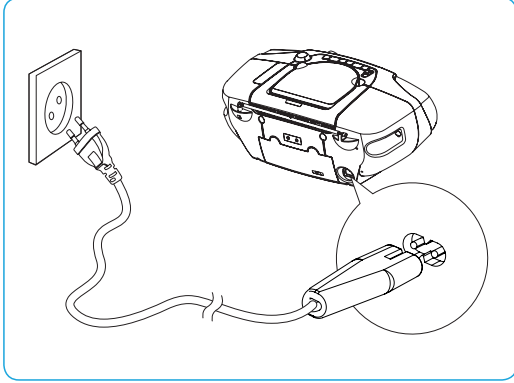
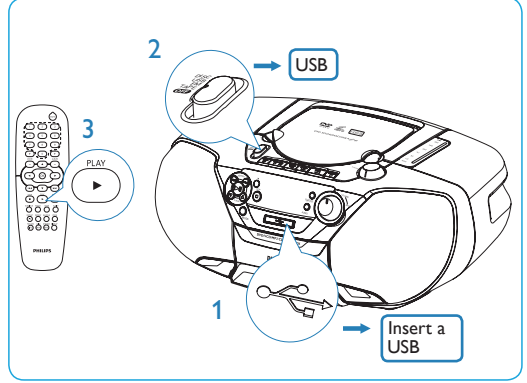


Quick Start Guide

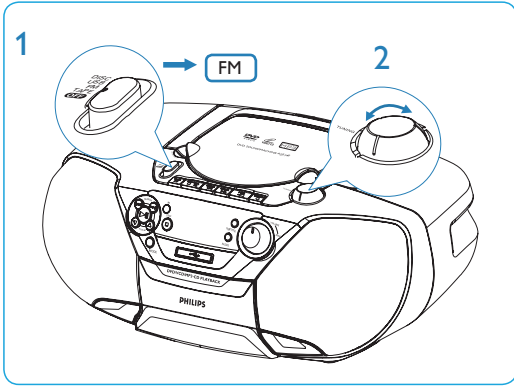
A Connect power



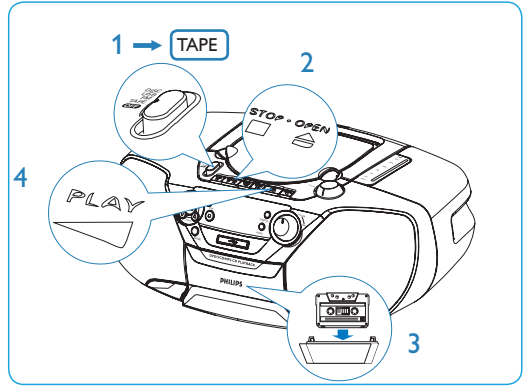
D Play USB



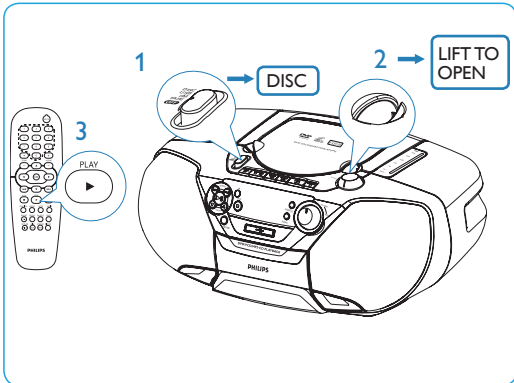
B Listen to radio



E Play tape



C Play disc

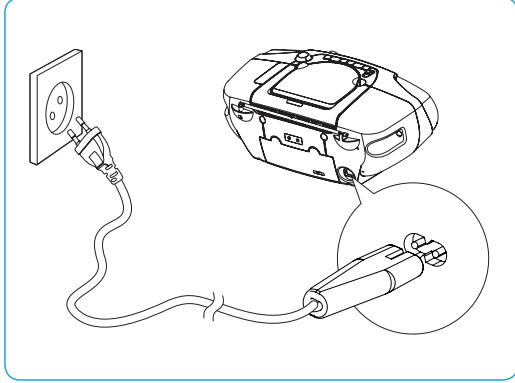


© 2010 Koninklijke Philips Electronics N.V.
All rights reserved.

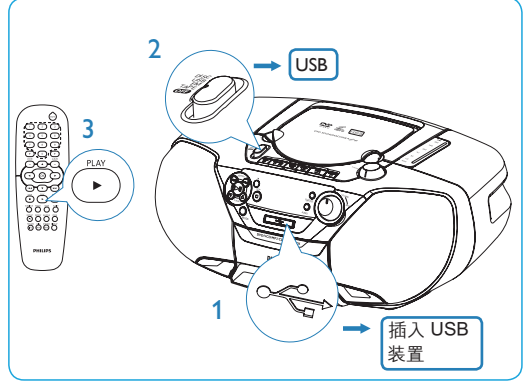


快速入门指南

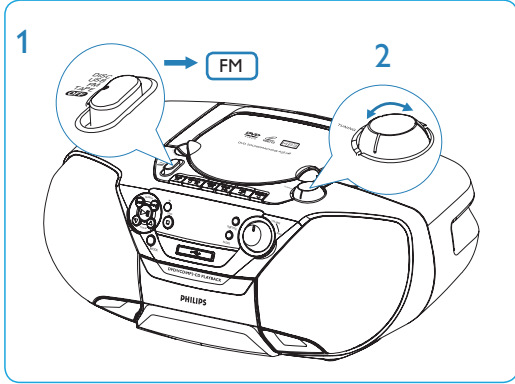
A 连接电源



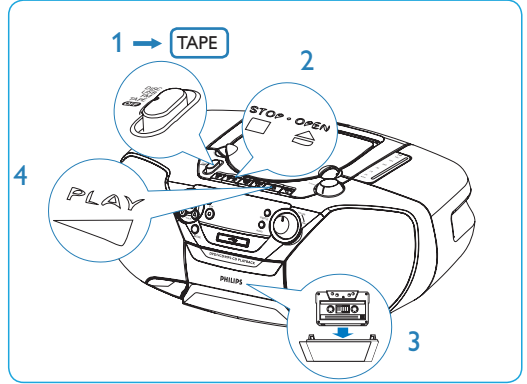
D 从 USB 播放



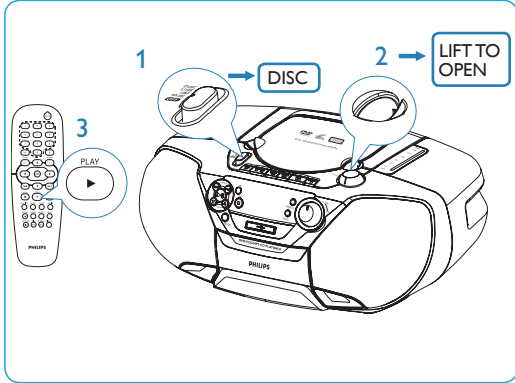
B 收听电台



E 播放磁带



C 播放光盘



© 2010 Koninklijke Philips Electronics N.V.
All rights reserved.

