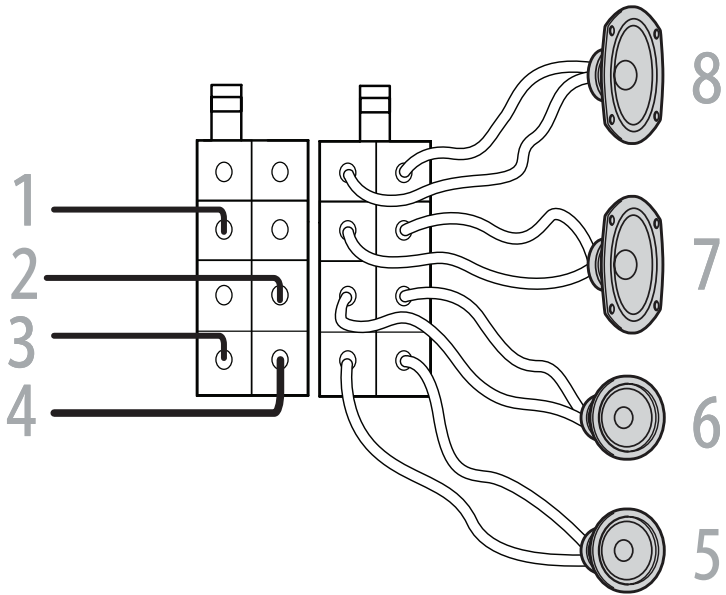


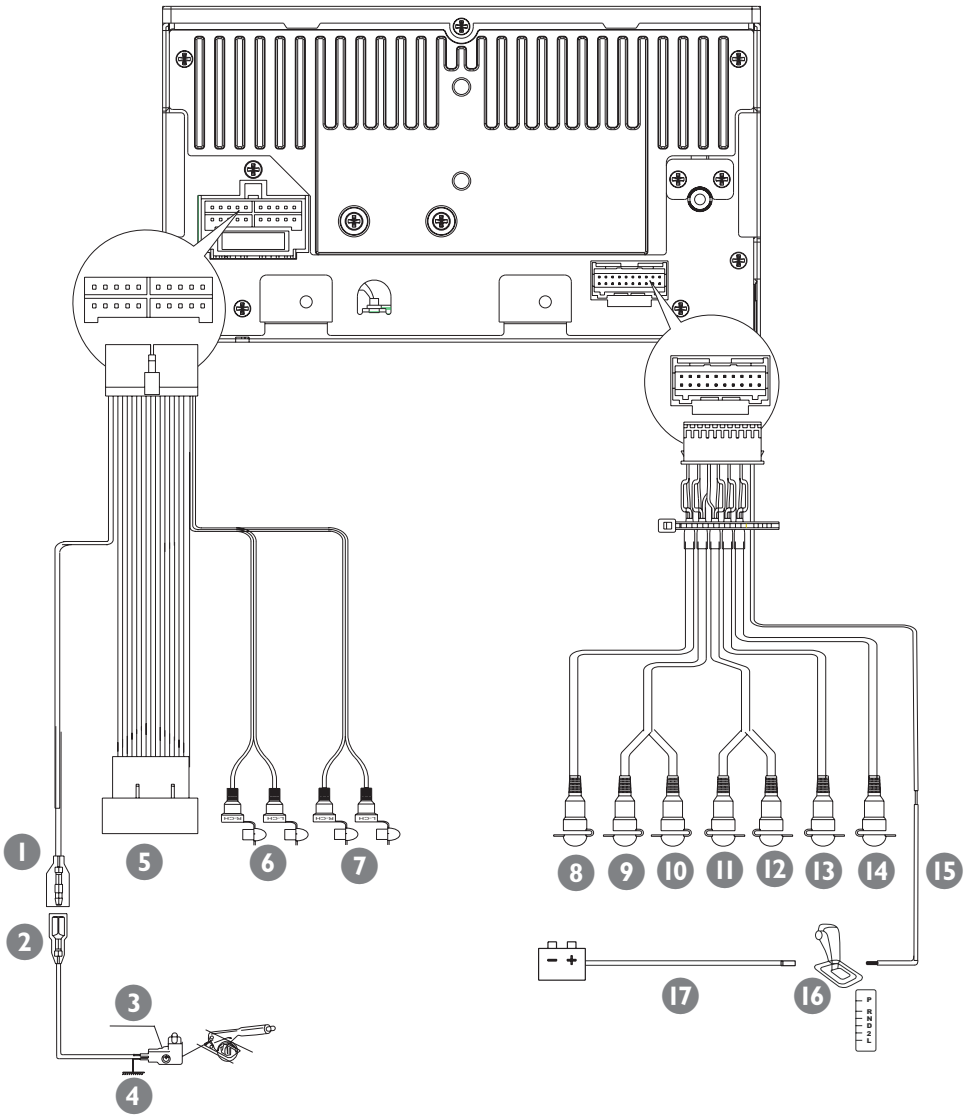


1

a

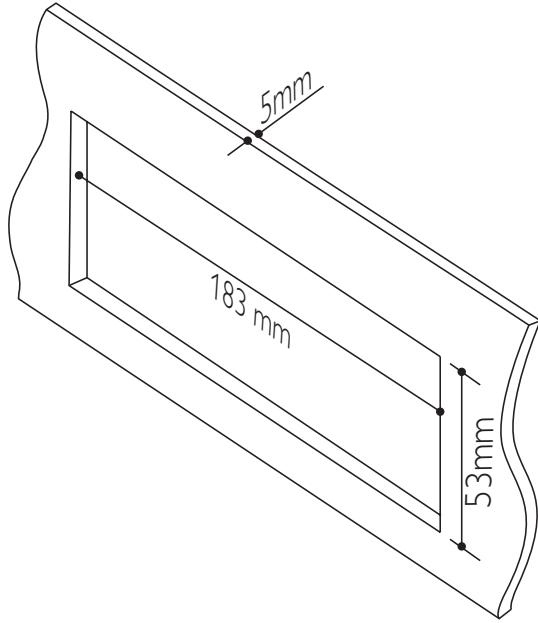


**b**

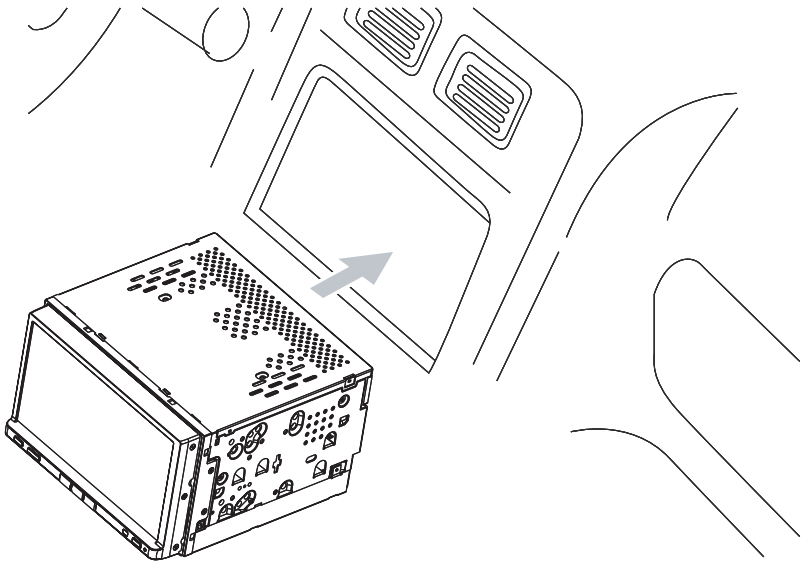


2

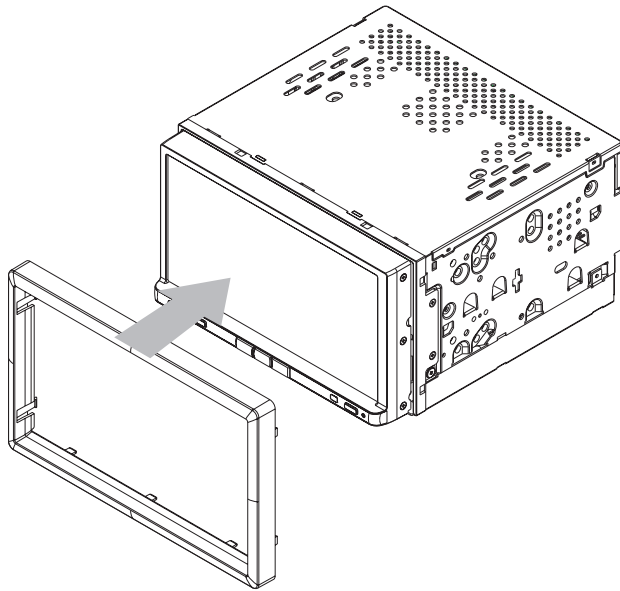
a



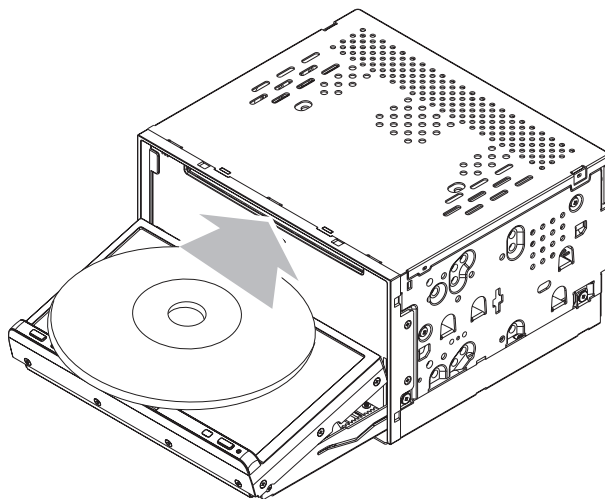
b

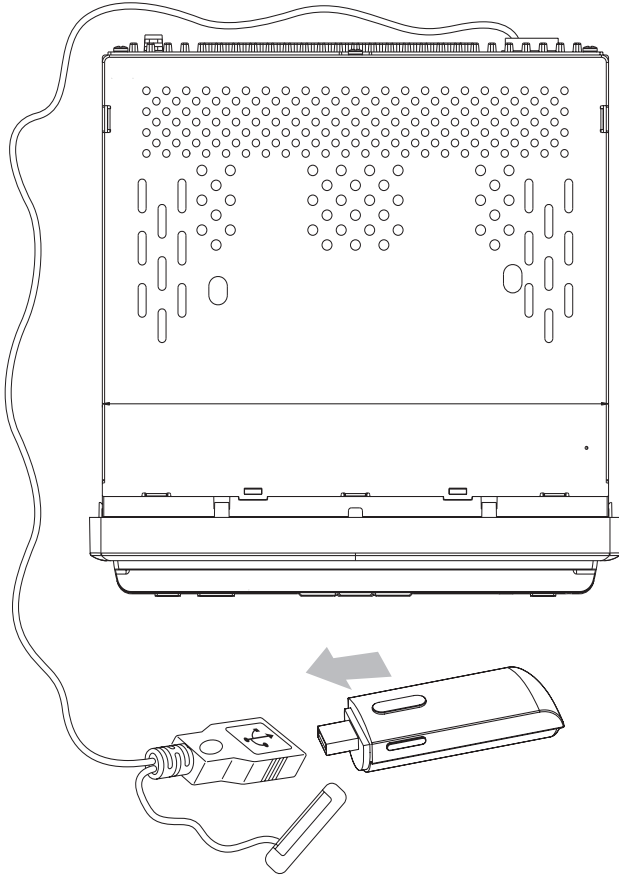


C



3





## Install the car audio

These instructions are for a typical installation. However, if your car has different requirements, make the corresponding adjustment. If you have any questions regarding installation kits, consult your Philips car audio dealer.

### Connect wires 1

- 1 Check the car's wiring carefully, then connect them to the supplied ISO wires. **a**

Connector	Connect to
1 Yellow wire	<b>The +12V car battery which is live at all times.</b>
2 Blue wire	<b>The electric antenna control lead or power supply lead of the antenna booster</b> If there is no electric antenna or antenna booster, or it is manually operated telescopic antenna, it is not necessary to connect this lead.
3 Black wire	<b>A metal surface of the car</b> First connect the black ground (earth) lead, then connect the yellow and red power supply leads.
4 Red wire	<b>The +12V power terminal which is live in the accessory (ACC) position of the ignition switch</b> If there is no accessory position, connect to the +12V car battery terminal that is always live. Be sure to connect the black ground (earth) lead to a metal surface of the car first.
5 Green and green/black wires	<b>Left speaker (Rear)</b>
6 White and white/black wires	<b>Left speaker (Front)</b>
7 Gray and gray/black wires	<b>Right speaker (Front)</b>

Connector	Connect to
8 Purple and purple/black wires	<b>Right speaker (Rear)</b>


- 2 Connect the other end of the supplied standard connector to the car audio system. **b**

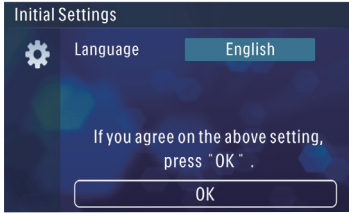
Connector/ Obeject	Connect to/with
1 Pink wire	Extension wire
2 2.5m extension wire (Not included)	Parking brake (-)
3 Brake switch	
4 Ground	
5 ISO wires	Connected in step 1 above.
6 Grey wire	Rear line out Left/ Right
7 Black wire	Front line out Left/ Right
8 Blue cable	Subwoofer
9 Red cable	Aux Right
10 White cable	Aux Left
11 Yellow cable	Video in
12 Yellow cable	Camera in
13 Yellow cable	Video out 1
14 Yellow cable	Video out 2
15 Purple wire	Reverse camera (B+)
16 Gearbox switch	
17 Reverse gear signal	Back lamp lead +


### Mount in the dashboard 2

- 1 If the car does not have an on-board drive or navigation computer, disconnect the negative terminal of the car battery.
- 2 Ensure that car dashboard opening is within these measurements: **a**
- 3 Slide the unit into the dashboard until a click sound is heard. **b**
- 4 Attach the trim plate. **c**
- 5 Reconnect the negative terminal of the car battery.




## Turn on

- 1 Press  to turn on the unit.




- 2 Touch a language to select.
  - To adjust screen brightness, press **DIMMER** on the remote control, then press **▲** or **▼**.
  - To turn off the unit, press and hold  for 3 seconds.

## Set date and time

- 1 Touch  to display main menu.
- 2 Touch **[Settings]**.
- 3 Touch  to access 2nd page.
- 4 Touch **[Date]**.
- 5 Touch year digit to highlight this digit.
- 6 Touch  to set year.
- 7 Repeat step 5 and 6 to set month and day.

### Set Time

- 1 Touch **[Set time]**.
- 2 Touch hour/minute digit to highlight the digit.
- 3 Touch  to set hour/minute.

### Set time format





- 1 Touch **[Clock Mode]** repeatedly to toggle between **[12Hr]** and **[24Hr]** options.

## Listen to Radio

- 1 Touch  to display home menu.

- 2 Touch **[Radio]**.







- 3 Touch on **FM** or **AM** repeatedly on the left of the screen to select band:
- 4 Briefly touch  or  to tune to a radio station by step.
  - Touch  or  for over 1 seconds to tune to a radio station automatically.

## Play disc

You can play video, audio or images stored on the following discs:

- DVD video, DVD-R, DVD-RW
- VCD
- Audio CD, CD-R, CD-RW

- 1 Insert the disc into the disc slot with label side facing up.

Countries where you bought the unit	Supported DVD region code
China	
Asia Pacific, Taiwan, Korea	
Latin America	
Russia, India	



---

## Play USB device **4**

### Note

- Ensure that the device contains playable content.

- 1 Open the lid of USB socket.
- 2 Insert the USB to the USB socket.

---

## Play with Bluetooth device



---

### Pair the Bluetooth-enabled devices

- 1 Turn on the Bluetooth function on your device.
- 2 Search for other Bluetooth device with your device.
- 3 Select "CED1700" in the pairing list.
- 4 Enter default password "0000".

---


## Make a call

- 1 Touch  on top of the screen.
- 2 Touch number icons directly to input phone number.
- 3 After the phone number entered, touch .

---

## Receive call

By default, all incoming calls are received automatically.

- 1 If there is incoming call, **[Incoming call...]** flashes on the screen. Speak into the Bluetooth microphone.
- 2 When conversation ends, tap  (red) to terminate the call.

