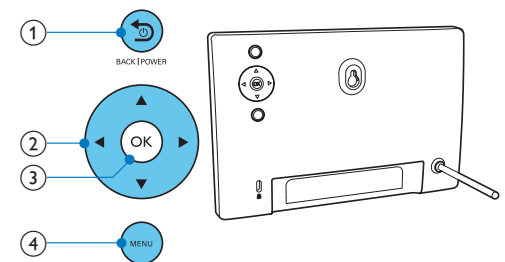
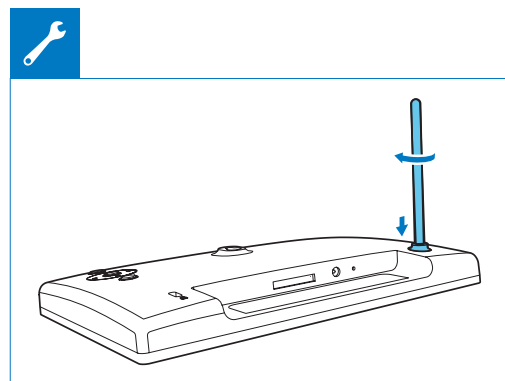
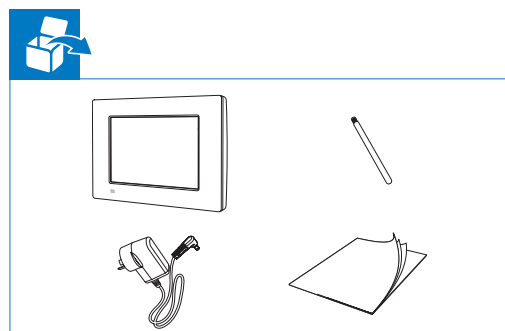




EN User Manual
ES Manual del usuario

PHILIPS

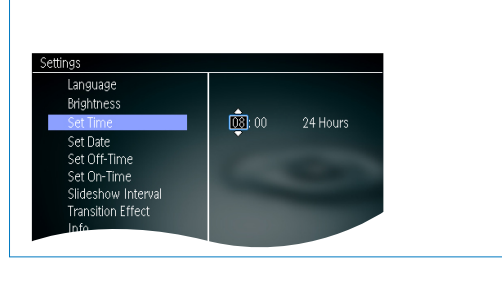
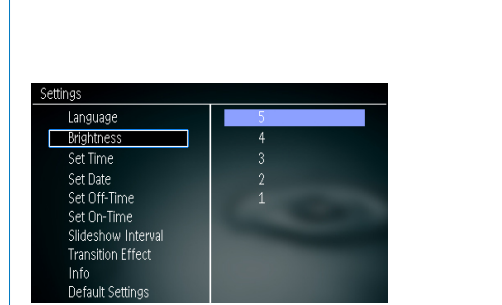
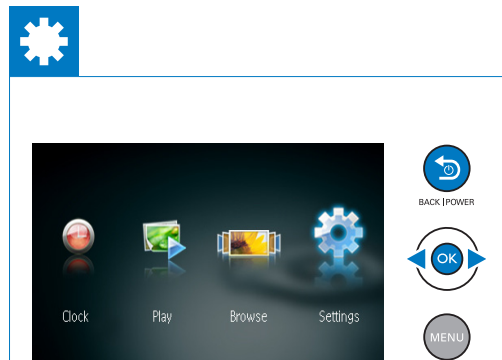
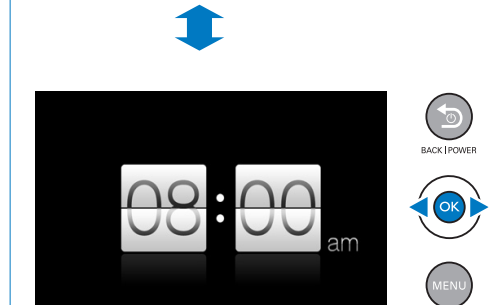
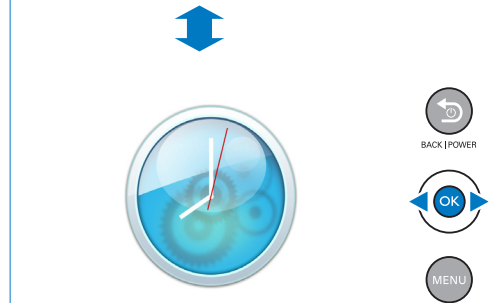
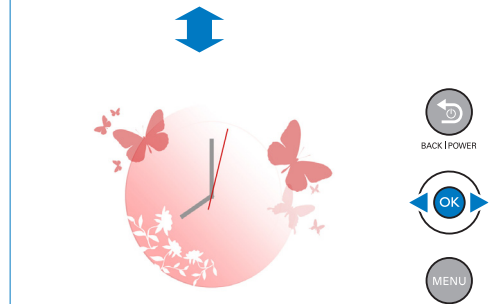
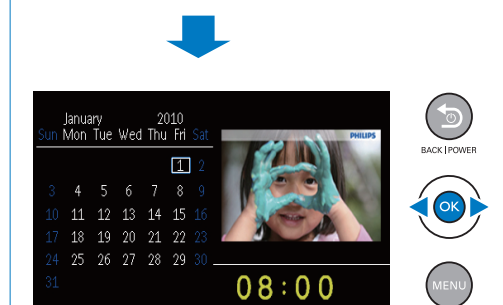
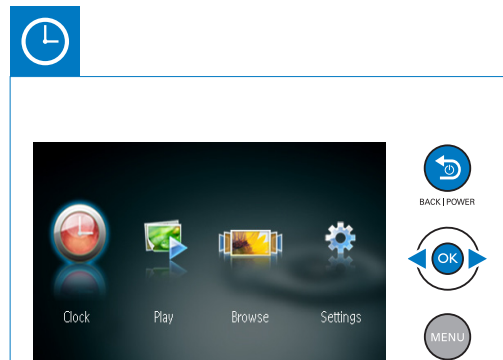
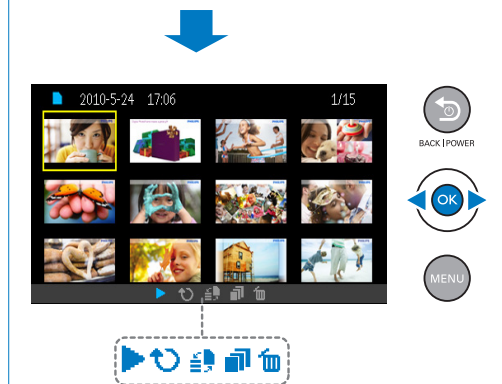
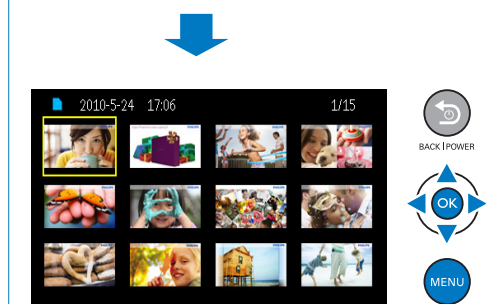
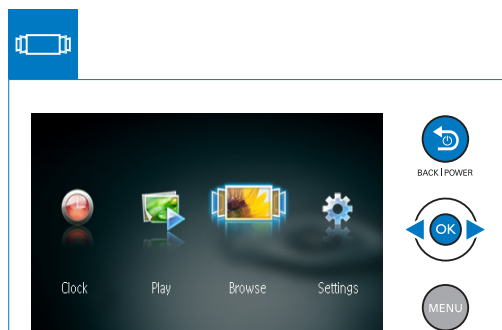
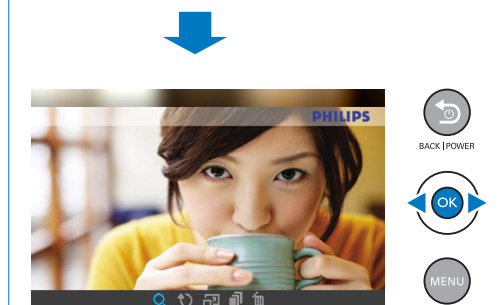
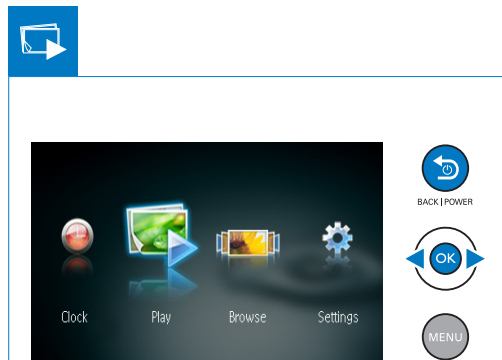
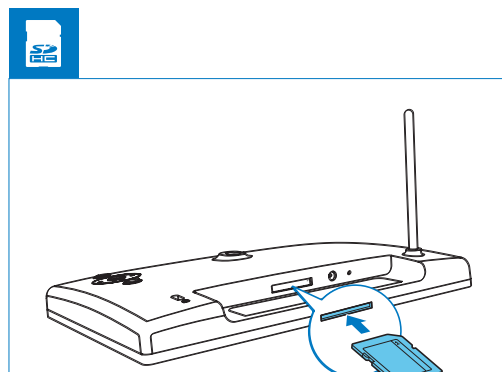
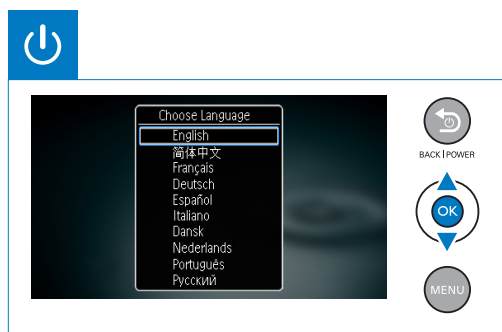
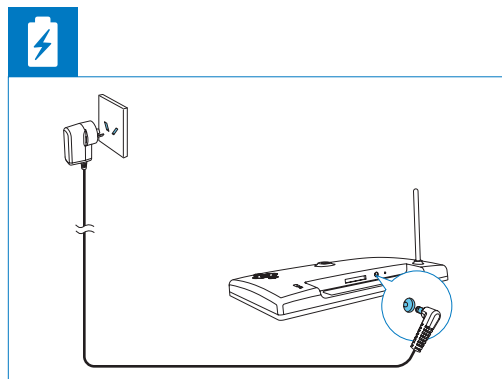


EN

- Hold to turn on/off the PhotoFrame. Press to go to the home screen. Press to go back.
- Press to select the upper/lower/right/left option.
- Press to play/pause slideshow. Press to confirm a selection.
- Press to enter/exit a menu.

ES

- Manténgalo pulsado para encender o apagar el PhotoFrame. Púlselo para ir a la pantalla de inicio. Púlselo para volver atrás.
- Púlselo para seleccionar la opción arriba/abajo/derecha/izquierda.
- Púlselo para reproducir/poner en pausa la presentación de diapositivas. Púlselo para confirmar la selección.
- Púlselo para acceder al menú o salir del mismo.



Respect copyrights



The making of unauthorized copies of copy-protected material, including computer programs, files, broadcasts and sound recordings, may be an infringement of copyrights and constitute a criminal offence. This equipment should not be used for such purposes.

End of life disposal

- Your new product contains materials that can be recycled and reused. Specialized companies can recycle your product to increase the amount of reusable materials and to minimize the amount to be disposed of.
- Please find out about the local regulations on how to dispose your old monitor from your local Philips dealer.
- (For customers in Canada and U.S.A.) Dispose the old product in accordance to local-state and federal regulations.

For additional information on recycling contact www.eia.org (Consumer Education Initiative).

Recycling Information for Customers

Philips establishes technically and economically viable objectives to optimize the environmental performance of the organization's product, service and activities. From the planning, design and production stages, Philips emphasizes the importance of making products that can easily be recycled. At Philips, end-of-life management primarily entails participation in national take-back initiatives and recycling programs whenever possible, preferably in cooperation with competitors. There is currently a system of recycling up and running in the European countries, such as The Netherlands, Belgium, Norway, Sweden and Denmark. In U.S.A., Philips Consumer Lifestyle North America has contributed funds for the Electronic Industries Alliance (EIA) Electronics Recycling Project and state recycling initiatives for end-of-life electronics products from household sources. In addition, the Northeast Recycling Council (NERC) - a multi-state non-profit organization focused on promoting recycling market development - plans to implement a recycling program. In Asia Pacific, Taiwan, the products can be taken back by Environment Protection Administration (EPA) to follow the IT product recycling management process, detail can be found in web site www.epa.gov.tw.

Environmental information



Your product is designed and manufactured with high quality materials and components, which can be recycled and reused.

When you see the crossed-out wheel bin symbol attached to a product, it means the product is covered by the European Directive 2002/96/EC:



Never dispose of your product with other household waste. Please inform yourself about the local rules on the separate collection of electrical and electronic products. The correct disposal of your old product helps prevent potentially negative consequences on the environment and human health.

Banned Substance Declaration

This product complies with RoHS.

ES

Seguridad

Precauciones de seguridad y mantenimiento

- No toque, presione, frote ni golpee la pantalla con ningún objeto duro, ya que podría dañarla de forma permanente.
- Cuando no se utilice el producto durante un periodo largo de tiempo, desenchúfelo.
- Antes de limpiar la pantalla, apáguela y desenchufe el cable de alimentación. Limpie la pantalla únicamente con un paño suave, humedecido con agua. No utilice sustancias como alcohol, productos químicos ni productos de limpieza domésticos para limpiar el producto.
- No coloque nunca el producto cerca de llamas sin protección u otras fuentes de calor, lo que incluye la luz solar directa.

EN

Safety

Safety precautions and maintenance

- Never touch, push, rub or strike the screen with hard objects as this may damage the screen permanently.
- When the product is not used for long periods, unplug it.
- Before you clean the screen, turn off and unplug the power cord. Only clean the screen with a soft, water-damp cloth. Never use substances such as alcohol, chemicals or household cleaners to clean the product.
- Never place the product near naked flames or other heat sources, including direct sunlight.
- Never expose the product to rain or water. Never place liquid containers, such as vases, near the product.
- Never drop the product. When you drop the product, it will be damaged.
- Ensure that you install and use services or software only from trustworthy sources free of virus or harmful software.
- This product is designed for indoor use only.
- Only use the supplied power adaptor for the product.
- The socket-outlet shall be installed near the equipment and shall be easily accessible.

Notice

This product is in compliance with the essential requirements and other relevant provisions of Directives 2006/95/EC (Low Voltage), 2004/108/EC (EMC).



