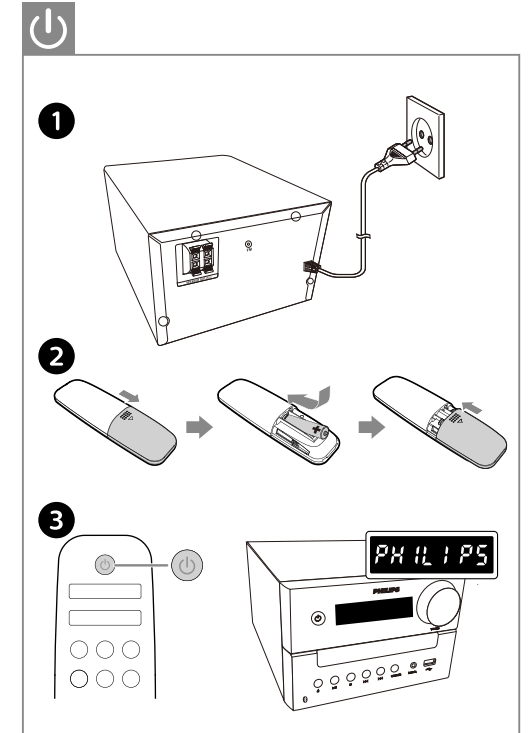
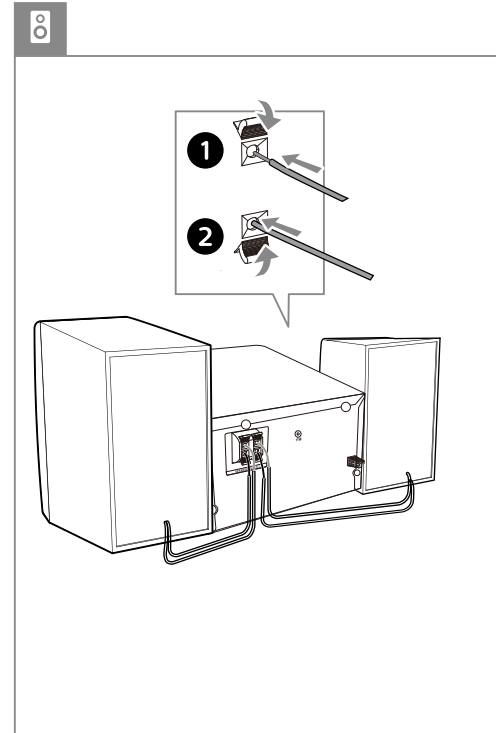
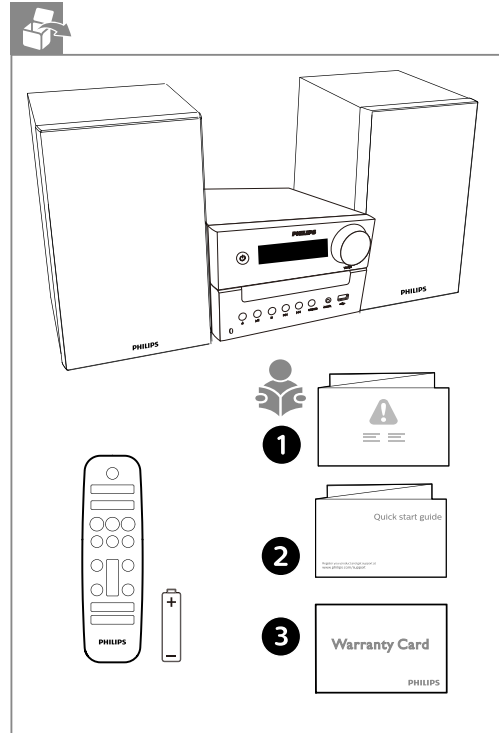


**PHILIPS**

Micro Music System

3000 Series  
M3205

## Quick Start Guide



Register your product and get support at  
[www.philips.com/support](http://www.philips.com/support)



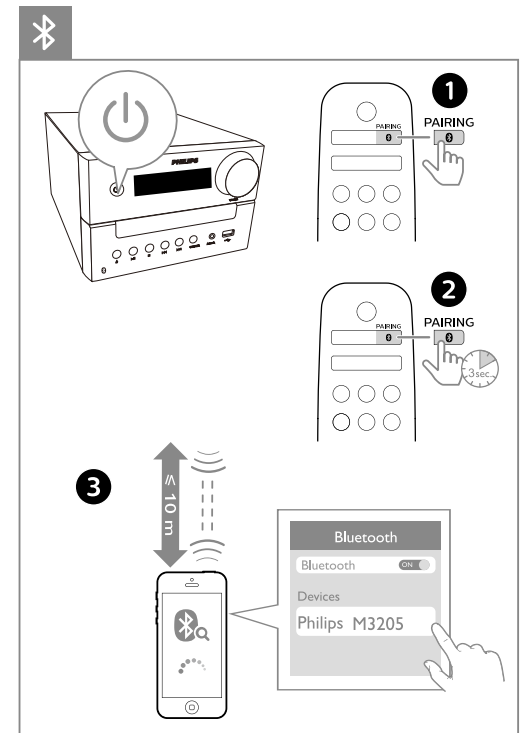
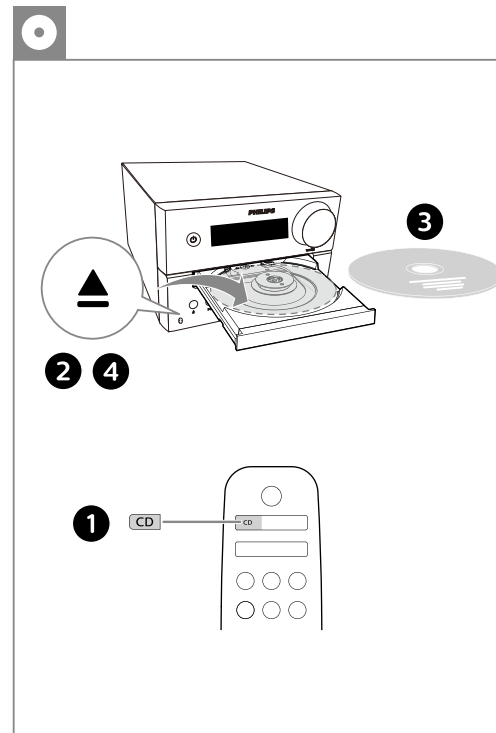
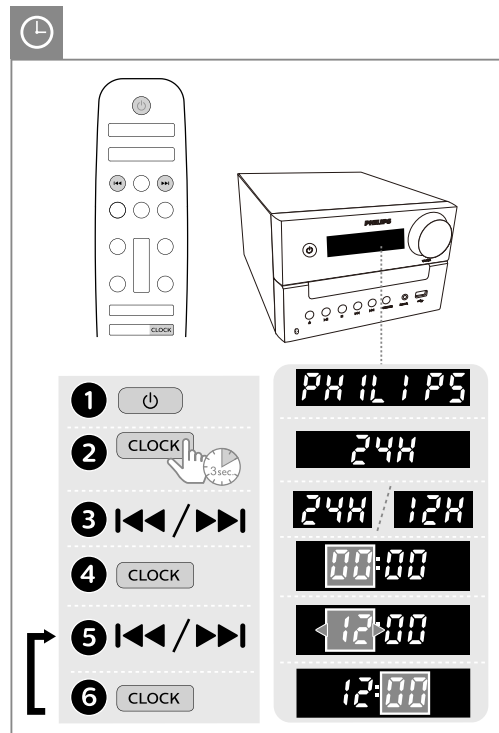
[www.philips.com/support](http://www.philips.com/support)

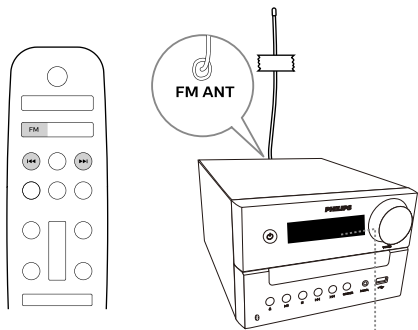


Philips and the Philips Shield Emblem are registered trademarks of Koninklijke Philips N.V. and are used under license.

This product has been manufactured by and is sold under the responsibility of MMD Hong Kong Holding Limited or one of its affiliates, and MMD Hong Kong Holding Limited is the warrantor in relation to this product.

M3205\_12\_QSG\_V1.0





**1** FM

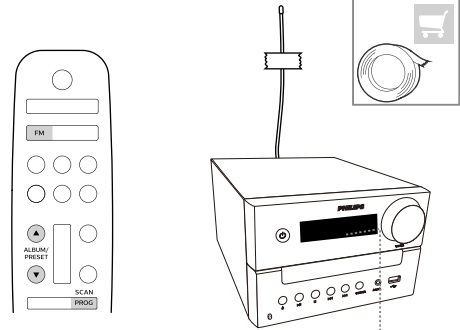
**2** A |◀◀/▶▶|

**2** B |◀◀/▶▶|

3sec

tuner

87.75 MHz



**1** FM

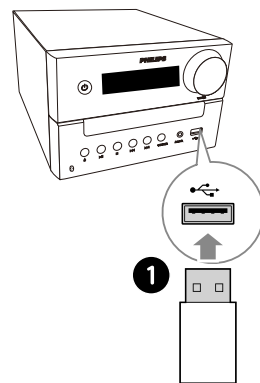
**2** SCAN  
PROG

**3** ▲/▼

tuner

PROG  
P01

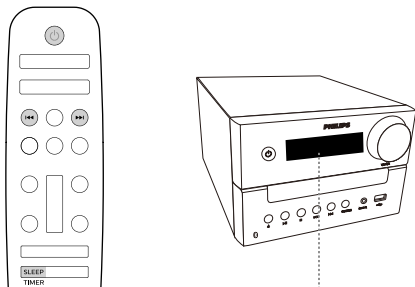
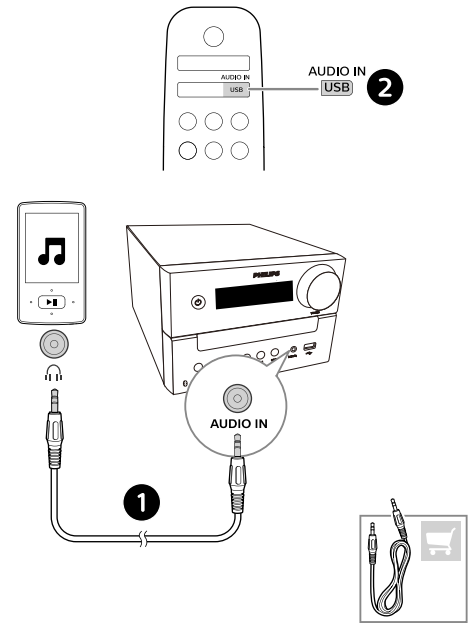
P03



**1**

**2** AUDIO IN  
USB

**3** |II|



**1** [Power]

**2** SLEEP  
TIMER

**3** |◀◀/▶▶|

**4** SLEEP  
TIMER

12:28

00:00

08:00

08:00

**5** |◀◀/▶▶|

**6** SLEEP  
TIMER

**7** |◀◀/▶▶|

**8** |◀◀/▶▶|

**9** SLEEP  
TIMER

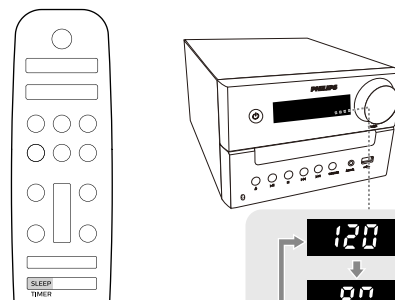
08:30

USB

8:15

12

6:07



SLEEP  
TIMER

⋮

120

90

60

30

15

OFF

