



NTRX700

1. Important

Know these safety symbols



This bolt of lightning indicates uninsulated material within your unit may cause an electrical shock. For the safety of everyone in your household, please do not remove product covering. The exclamation point calls attention to features for which you should read the enclosed literature closely to prevent operating and maintenance problems. **WARNING:** To reduce the risk of fire or electric shock, this apparatus should not be exposed to rain or moisture and objects filled with liquids, such as vases, should not be placed on this apparatus. **CAUTION:** To prevent electric shock, match wide blade of plug to wide slot, fully insert.

Warning

- Never remove the casing of this device.
- Never lubricate any part of this device.
- Never place this device on other electrical equipment.
- Keep this device away from direct sunlight, naked flames or heat.
- Never look into the laser beam inside this device.
- Make sure that you always have easy access to the power cord, plug or adaptor to disconnect this device from the power.

- Do not use this apparatus near water.
- Install in accordance with the manufacturer's instructions.
- Do not install near any heat sources such as radiators, heat registers, stoves, or other apparatus (including amplifiers) that produce heat.
- Protect the power cord from being walked on or pinched, particularly at plugs, convenience receptacles, and the point where they exit from the apparatus.
- Only use attachments/accessories specified by the manufacturer.

- Use only with the cart, stand, tripod, bracket, or table specified by the manufacturer or sold with the apparatus. When a cart is used, use caution when moving the cart/apparatus combination avoid injury from tip-over.
- Unplug this apparatus during lightning storms or when unused for long periods of time.
- Refer all servicing to qualified service personnel. Servicing is required when the apparatus has been damaged in any way such as power-supply cord or plug is damaged, liquid has been spilled or objects have fallen into the apparatus, the apparatus has been exposed to rain or moisture, does not operate normally, or has been dropped.
- Battery usage **CAUTION** – To prevent battery leakage which may result in bodily injury, property damage, or damage to the unit:
 - Install all batteries correctly, + and - as marked on the unit.
 - Do not mix batteries (old and new or carbon and alkaline, etc.).
 - Remove batteries when the unit is not used for a long time.
- Batteries (battery pack or batteries installed) shall not be exposed to excessive heat such as sunshine, fire or the like.
- Apparatus shall not be exposed to dripping or splashing.
- Do not place any sources of danger on the apparatus (e.g. liquid filled objects, lighted candles).
- Where the MAINS plug or an appliance coupler is used as the disconnect device, the disconnect device shall remain readily operable.

Caution

- Use of controls or adjustments or performance of procedures other than herein may result in hazardous radiation exposure or other unsafe operation.

2. Notice

Any changes or modifications made to this device that are not expressly approved by WOOX Innovations may void the user's authority to operate the equipment. Your product is designed and manufactured with high quality materials and components, which can be recycled and reused. Never dispose of your product with other household waste. Please inform yourself about the local rules on the separate collection of electrical and electronic products and batteries. The correct disposal of these products helps prevent potentially negative consequences on the environment and human health. Your product contains batteries, which cannot be disposed of with normal household waste. Please visit www.recycle.philips.com for additional information on a recycling center in your area.

Environmental information

All unnecessary packaging has been omitted. We have tried to make the packaging easy to separate into three materials: cardboard (box), polystyrene foam (buffer) and polyethylene (bags, protective foam sheet.) Your system consists of materials which can be recycled and reused if disassembled by a specialized company. Please observe the local regulations regarding the disposal of packaging materials, exhausted batteries and old equipment. **This apparatus includes this label:**

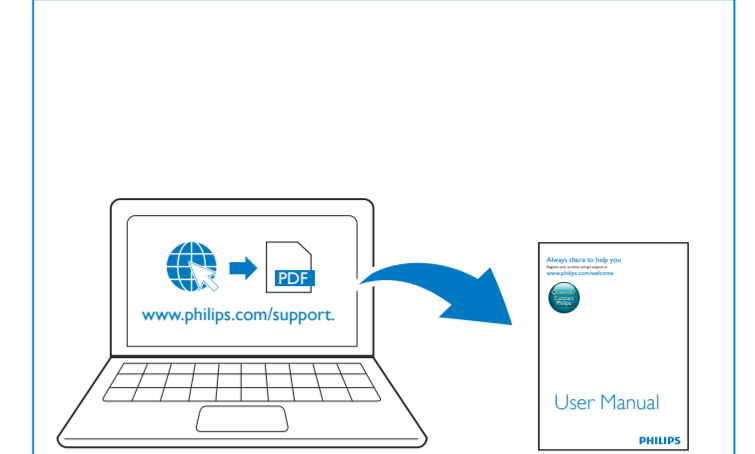
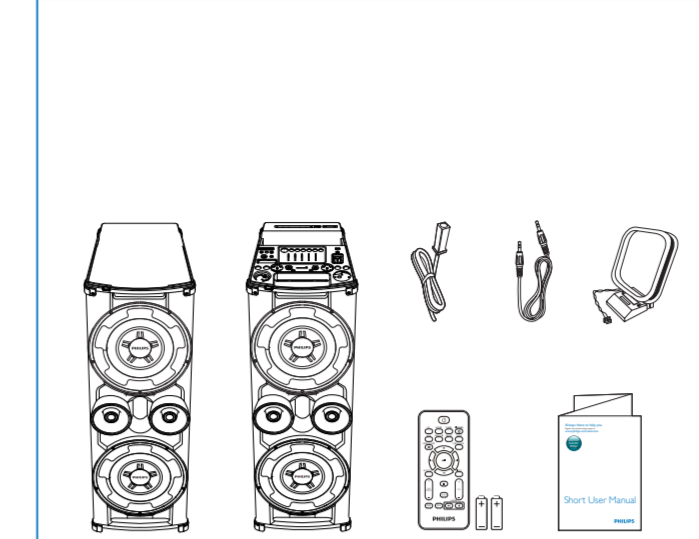


Note

- The type plate is located on the back of the unit.

Be responsible. Respect copyrights.

The making of unauthorized copies of copy-protected material, including computer programs, files, broadcasts and sound recordings, may be an infringement of copyrights and constitute a criminal offence. This equipment should not be used for such purposes.



To download the full user manual, visit www.philips.com/support.

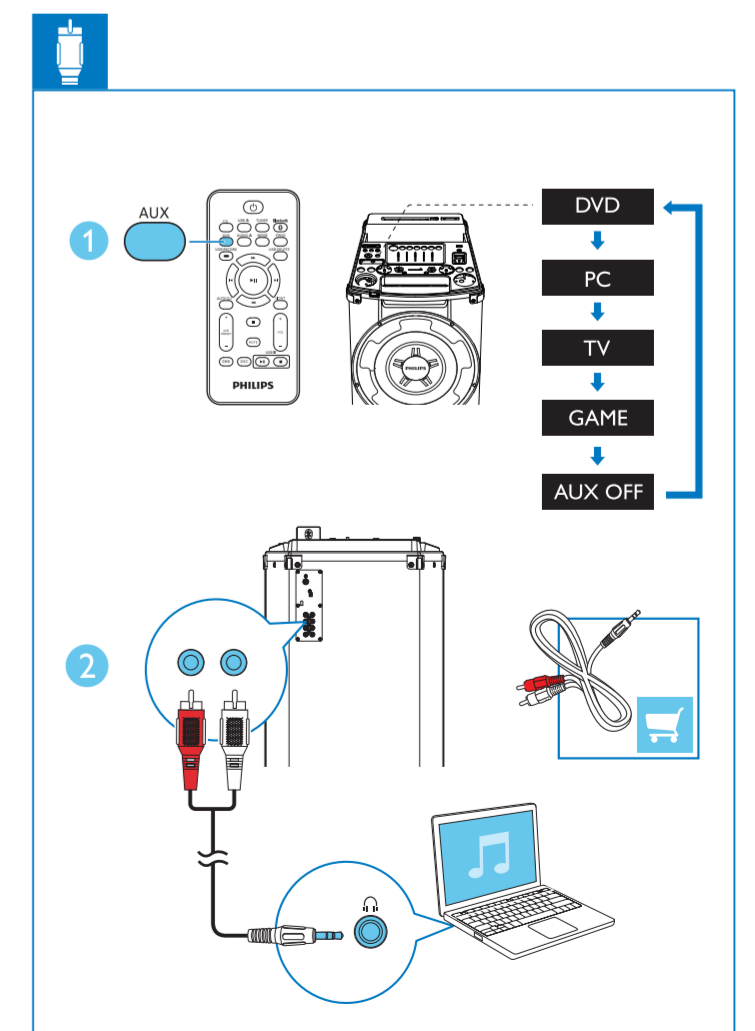
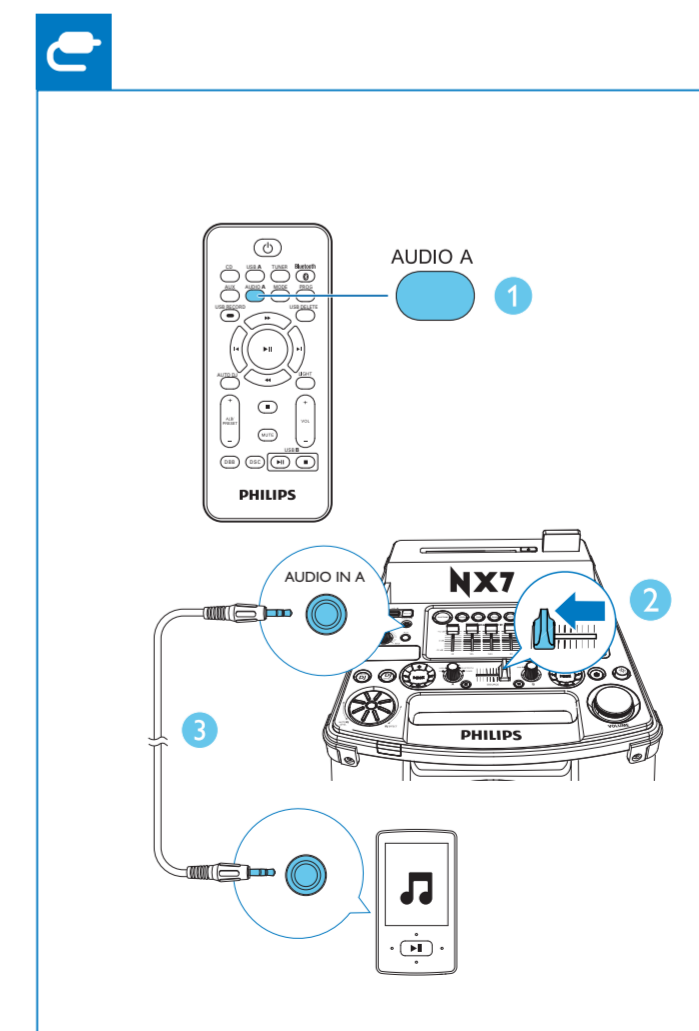
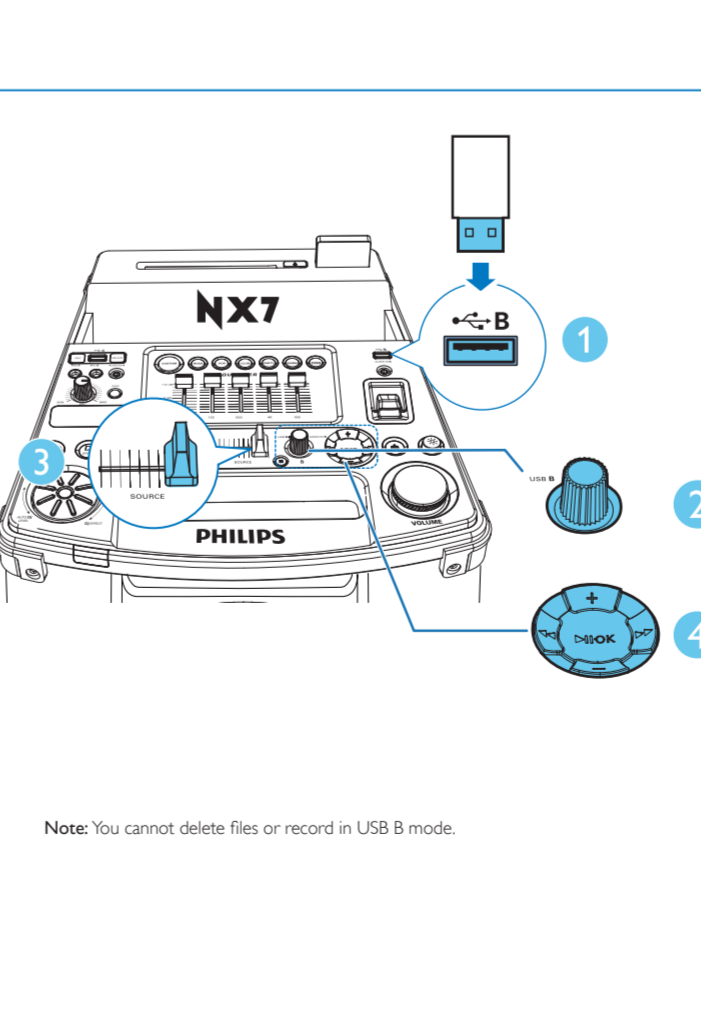
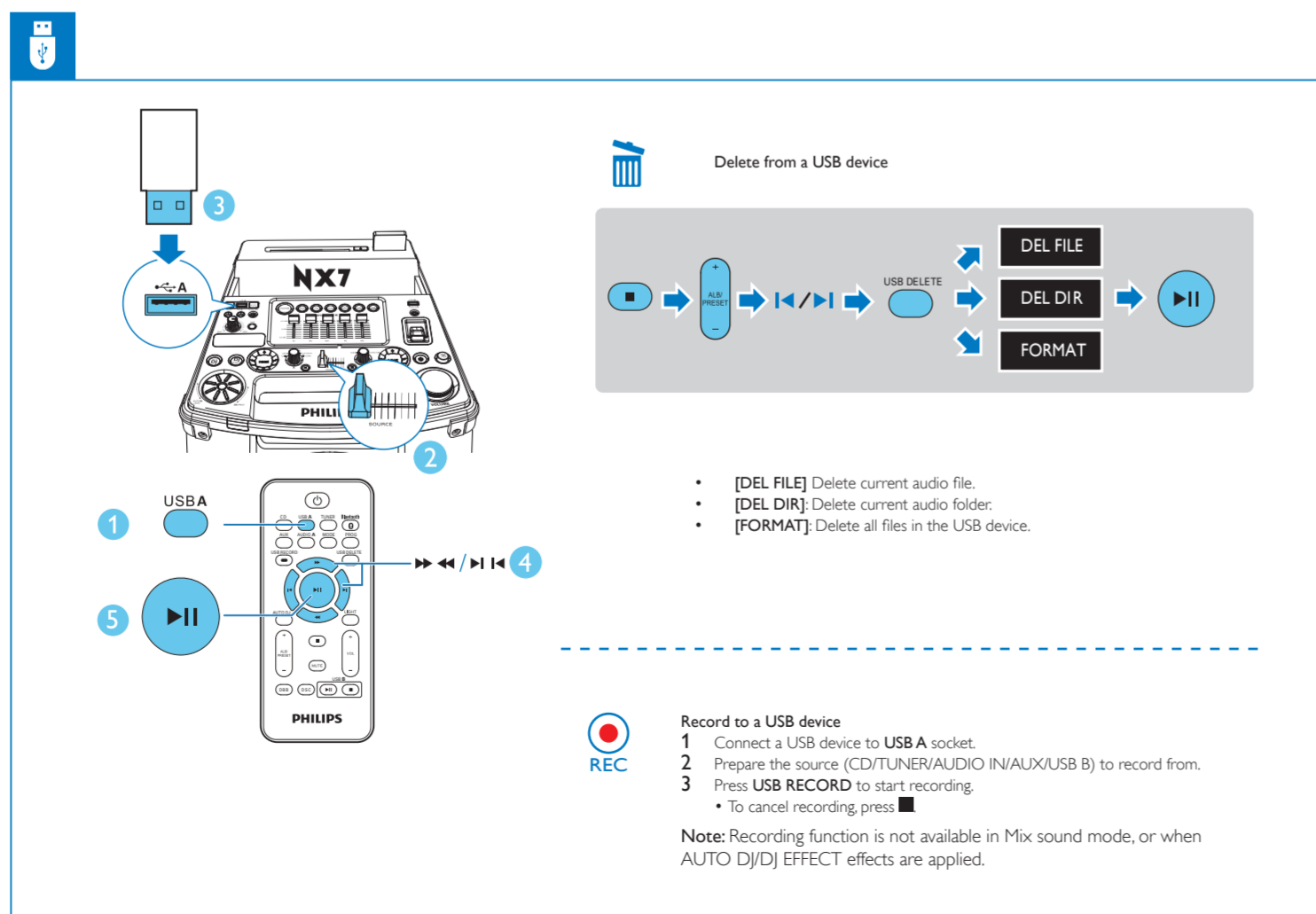
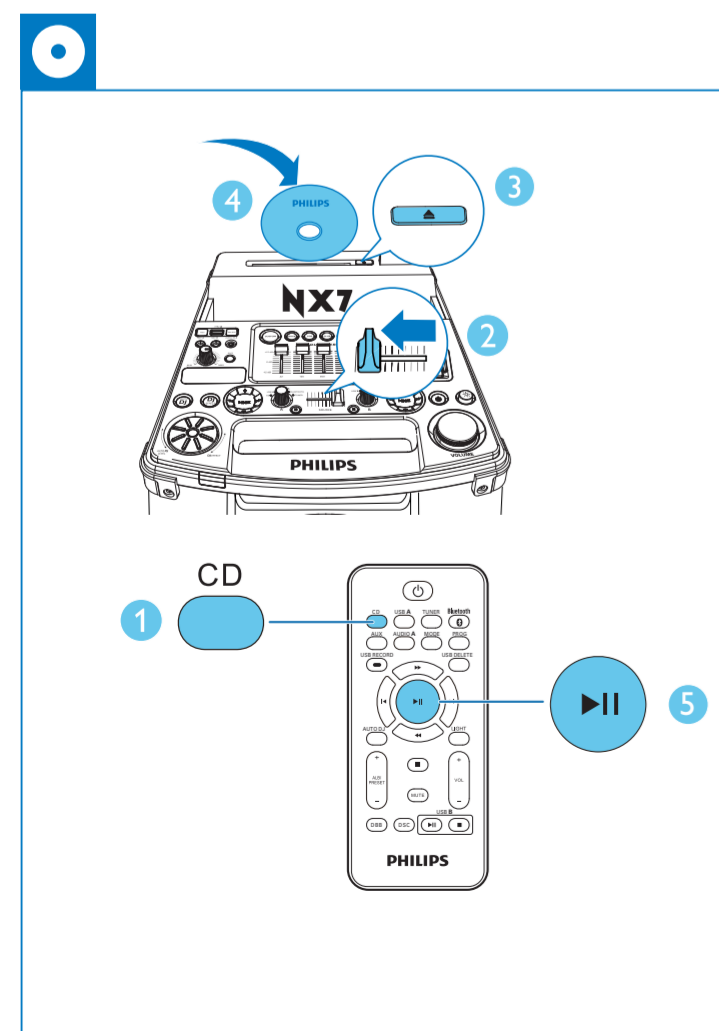
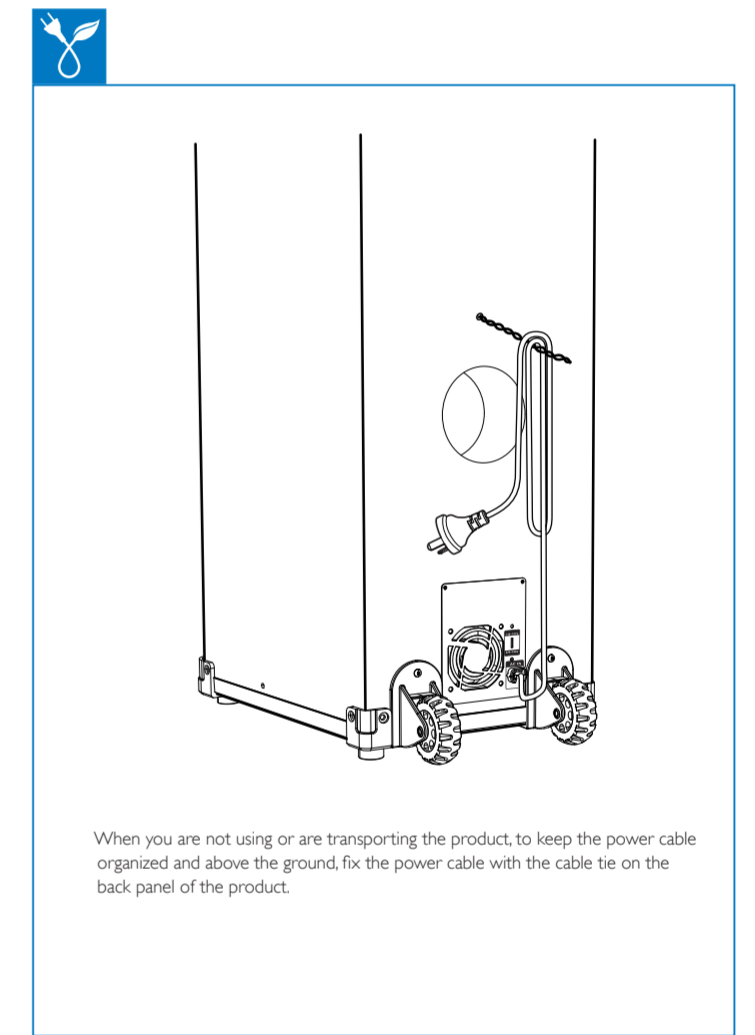
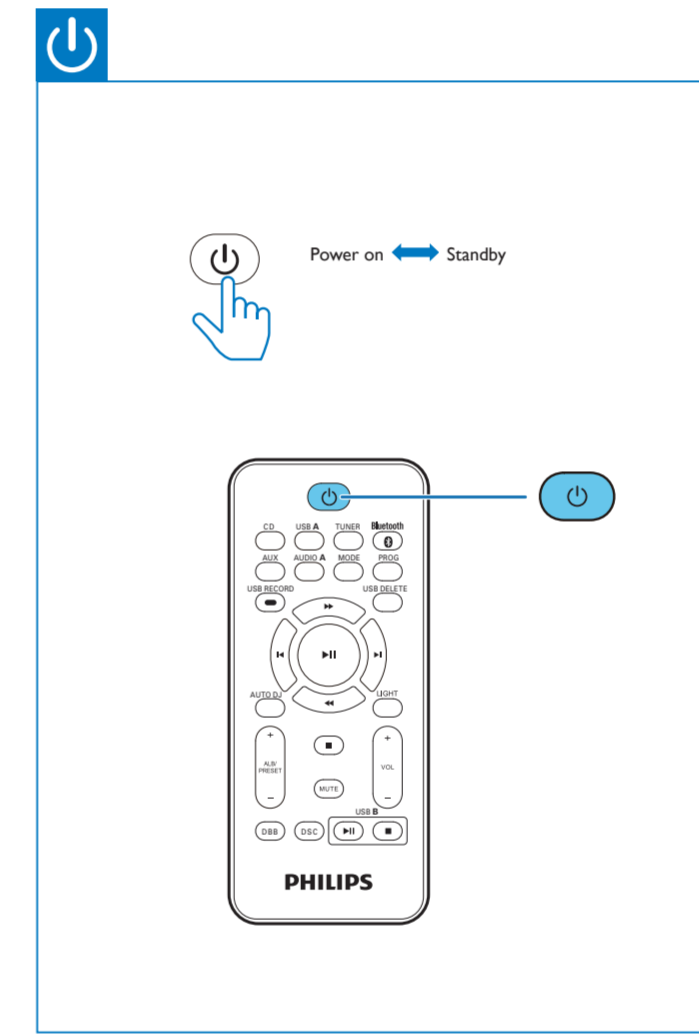
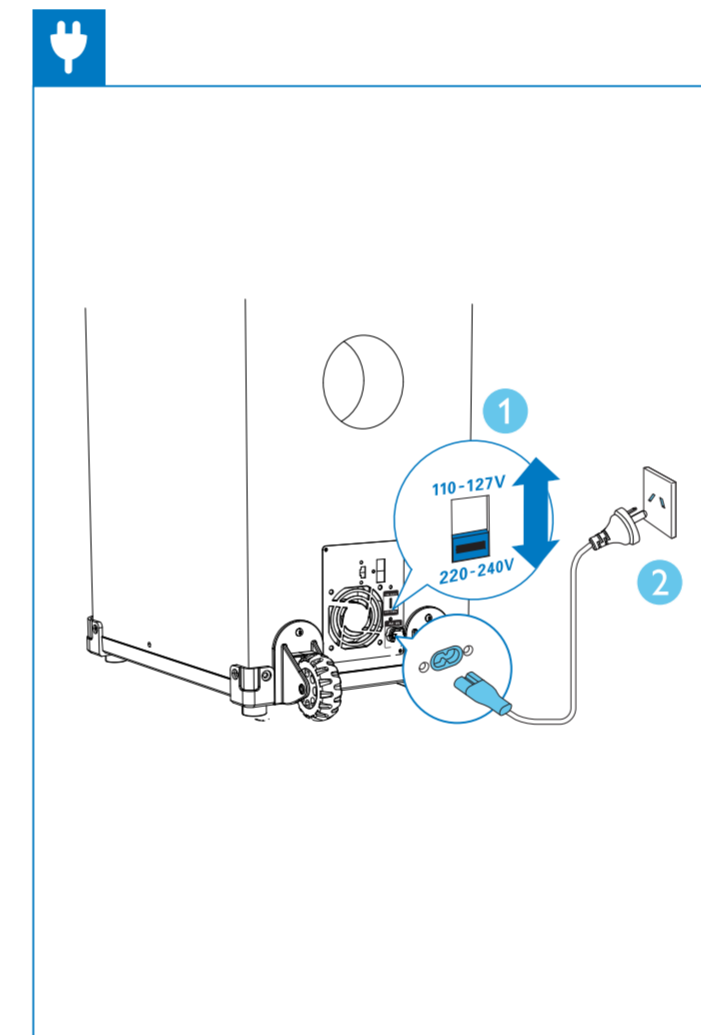
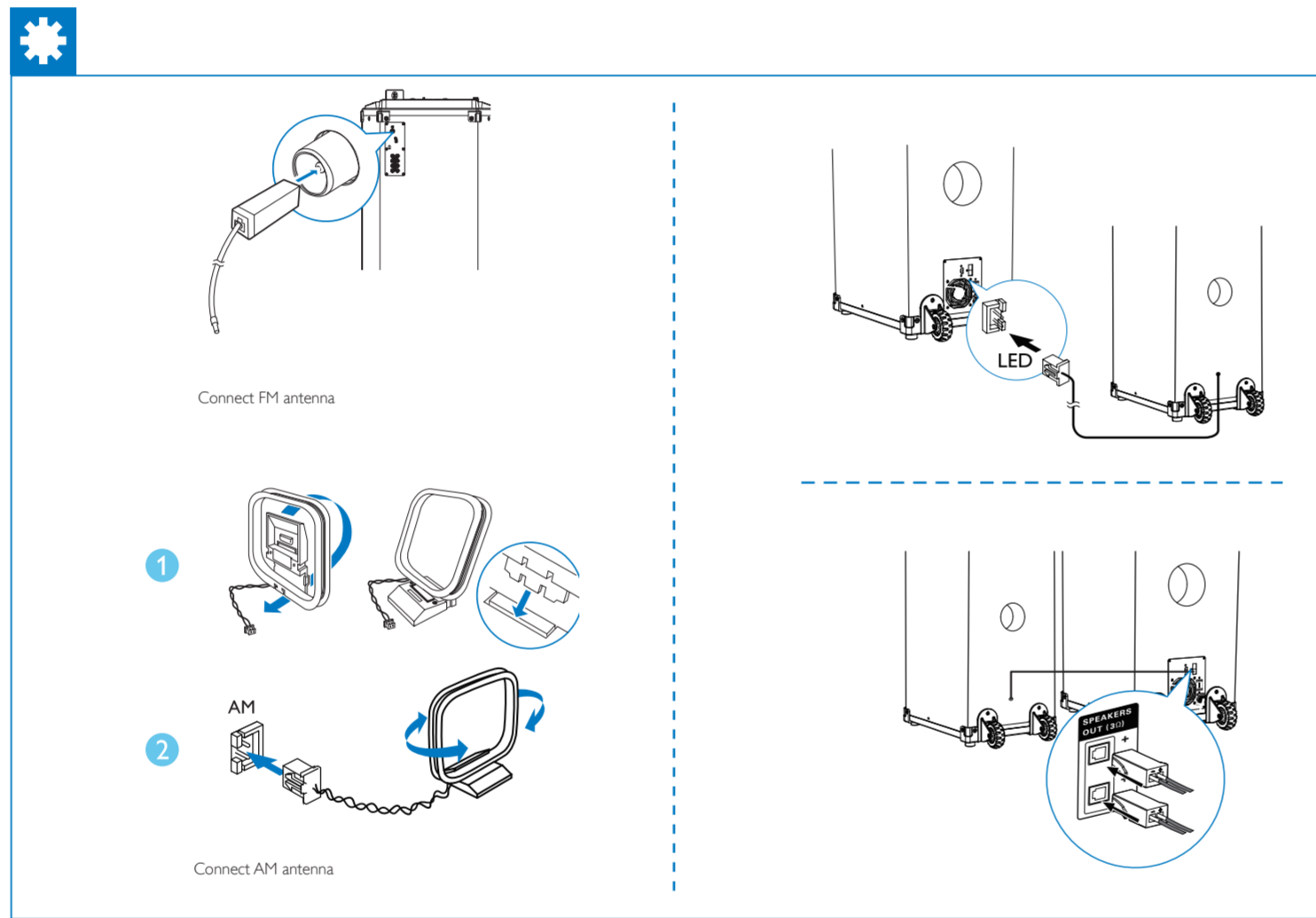
Short User Manual

PHILIPS



Specifications are subject to change without notice. 2014 © WOOX Innovations Limited. All rights reserved. This product was brought to the market by WOOX Innovations Limited or one of its affiliates, further referred to in this document as WOOX Innovations, and is the manufacturer of the product. WOOX Innovations is the warrantor in relation to the product with which this booklet was packaged. Philips and the Philips Shield Emblem are registered trademarks of Koninklijke Philips N.V.

NTRX700_79_Short User Manual_V1.0



Tune to an FM/AM radio station

Store radio stations automatically

Store radio stations manually

Change AM tuning grid

Note: You can program a maximum of 30 FM and 10 AM radio stations.

BT

Note: Keep away from any other electronic device that may cause interference. The product can memorize a maximum of 8 paired devices.

DJ

Note: This function is only available in USB A mode.

DJ

Note: The function is not available in USB B mode and Audio in B mode.

Adjust equalizer settings

Apply NX BASS effect

Mix sound: Play from SOURCE A and SOURCE B at the same time.

- 1 Play from Source A.
- 2 Play from Source B.
- 3 Use the CROSS FADER to adjust the left/right channel balance during playback.

Control play

- 1 **PROG**
• In Disc/USB A mode, program tracks.
- 2 **▶▶**
• In Disc/USB A/Bluetooth mode, start, pause, or resume play.
- 3 **◀◀**
• In Disc/USB A/Bluetooth mode, skip to the previous or next track.
- 4 **■**
• In Disc/USB A mode, stop playing or erase programs.
- 5 **VOL +/-**
• Adjust volume.
- 6 **MUTE**
• Mute or unmute volume.
- 7 **USB B ▶▶**
• In USB B mode, start or pause play.
USB B ■
• In USB B mode, stop play.
- 8 **MODE**
• In Disc/USB A mode, select a repeat or random play mode.
- 9 **◀▶**
• In Disc or USB A mode, search within a track.
- 10 **ALB/PRESET +/-**
• Skip to the previous or next album.
- 11 **DBB**
• Turn dynamic bass enhancement on or off.
- 12 **DSC**
• Select a preset sound effect.

PHILIPS

Warranty Against Defects

In this warranty:
We means WOOX Innovations Singapore Pte Ltd ARBN 165 105 975, and our contact details are set out at the end of this warranty.
You means the purchaser or the original end-user of the Goods;
Supplier means the authorised distributor or retailer of the Goods that sold you the Goods in Australia or New Zealand; and
Goods means the product or equipment which was accompanied by this warranty and purchased in Australia or New Zealand.

If you require assistance with the operation of the product, its features or specifications please call the Philips Consumer Care Centre on 1300 850 633 in Australia or 0800 639 953 in New Zealand.

Australia: If you are taken to have been supplied with our goods as a "Consumer" for the purposes of the Australian Consumer Law then : Our Goods come with guarantees that cannot be excluded under the Australian Consumer Law. You are entitled to a replacement or refund for a major failure and compensation for any other reasonably foreseeable loss or damage. You are also entitled to have the Goods repaired or replaced if the goods fail to be of acceptable quality and the failure does not amount to a major failure. This is not a complete statement of your legal rights as a consumer.

New Zealand: Our Goods come with guarantees that cannot be excluded under the Consumer Guarantees Act 1993. This guarantee applies in addition to the conditions and guarantees implied by that legislation.

Additional Warranty: In addition to the rights and remedies that you may have under the Australian Consumer Law, Consumer Guarantees Act of New Zealand or any other applicable law, we provide the following warranty against defects: **(Additional Warranty).**

1. If, during the first 12 months from their date of purchase from the Supplier (**Warranty Period**), the Goods prove defective by reason of improper workmanship or materials and none of your statutory rights or remedies apply, we will repair or replace the Goods without charge.
2. We do not have to repair or replace the Goods under this Additional Warranty if the Goods have been used for a commercial purpose; misused, improperly or inappropriately installed, operated or repaired; abused; damaged; or not maintained in accordance with the manufacturer's instructions.
3. Even when we do not have to repair or replace the Goods, we may decide to do so anyway. In some cases, we may decide to substitute the Goods with a similar alternative product of our choosing. All such decisions are at our absolute discretion.
4. All goods that are repaired, replaced or substituted under this Additional Warranty continue to receive the benefit of this Additional Warranty for the time remaining on the original Warranty Period.
5. This Additional Warranty is limited to repair, replacement or substitution only. As far as the law permits, we will not be liable for any loss or damage caused to property or persons arising from any cause whatsoever.
6. In order to claim under this Additional Warranty you must telephone us on 1300 850 633 in Australia or 0800 639 953 in New Zealand within the Warranty Period. You will be asked for details of the Goods, a description of the defect and your personal details. Upon accepting your claim, we shall assist you with either returning the Goods to the Supplier for replacement or a Philips Authorised Service Centre in Australia or New Zealand for your Goods to be repaired. We may require that you return the Goods for repair, replacement or substitution.
 - * All returned Goods must be accompanied by satisfactory proof of purchase which clearly indicates the name and address of the Supplier, the date and place of purchase and identifies product. It is best to provide a legible and unmodified receipt or sales invoice.
 - * You must bear any expense for return of the Goods or otherwise associated with making your claim under this Additional Warranty.
7. This warranty is only valid and enforceable in Australia and New Zealand.

Contact us for further details.

In Australia contact
Consumer Care: 1300 850 633
E-mail: le.anz@philips.com
Website: www.philips.com/support
 65 Epping Rd, North Ryde, NSW 2113

In New Zealand contact
Consumer Care: 0800 639 953
Email: le.anz@philips.com
Website: www.philips.com/support

© 2013 WOOX Innovations Limited. All rights reserved.
 This product was brought to the market by WOOX Innovations Limited or one of its affiliates, further referred to in this document as WOOX Innovations, and is the manufacturer of the product.
 WOOX Innovations is the warrantor in relation to the product with which this booklet was packaged. Philips and the Philips Shield Emblem are registered trademarks of Koninklijke Philips N.V.™

Select a source (CD/TUNER/USB A/AUDIO A/AUX) and start play.

- To adjust the volume of the source, press **VOL +/-**.
- To adjust the volume of the microphone, turn the **MIC** volume knob.

LIGHT

Specifications

Amplifier	
Total Output Power	1100 W (THD 30%)
Frequency Response	60 Hz - 16kHz
Aux In/MP3 Link	1500mV/2000mV
Disc	
Disc Diameter	12cm/8cm
Support Disc	CD, CD-R, CD-RW, MP3-CD
Speakers	
Speaker Impedance	2 x 3 ohm
Tuner	
Tuning Range	FM: 87.5 - 108MHz; AM: 531 - 1602kHz (9KHz);
Tuning Grid	0.05 MHz (FM); 9 kHz (AM)
Bluetooth	
Bluetooth Version	V2.0+EDR
Supported Profiles	A2DP, AVRCP
Range	10 m (Free space)
General information	
AC power	110 -127V/220 - 240V~, 50/60Hz
Operation Power Consumption	170 W
Standby Power Consumption	35 W
USB direct	Version 2.0/1.1
USB port	DC 5V, 500mA
Dimensions - Main Unit (W x H x D)	390 x 1137 x 477 mm
Weight (without speakers)	26 kg

Icons: