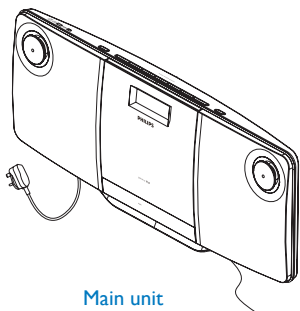
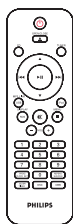


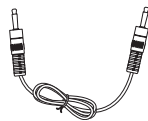
# Quick Start Guide



Main unit



Remote Control



1 x MP3 link cable



Mounting kit



Wall mounting  
instructions

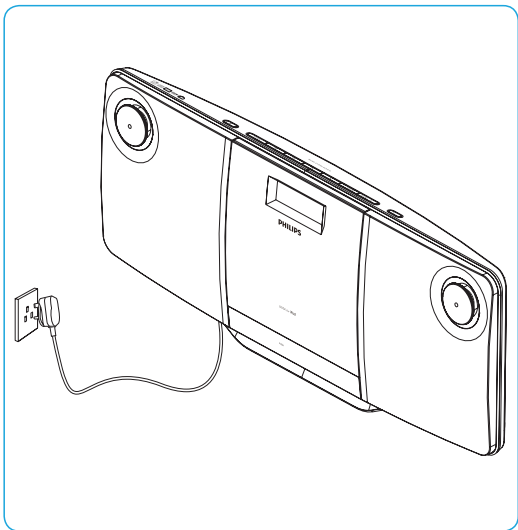


User Manual

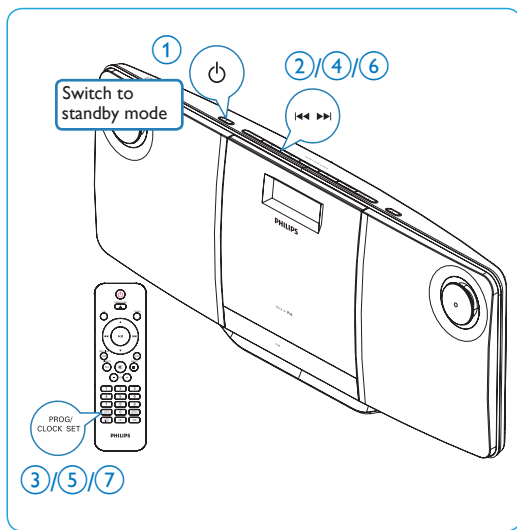


Quick Start Guide

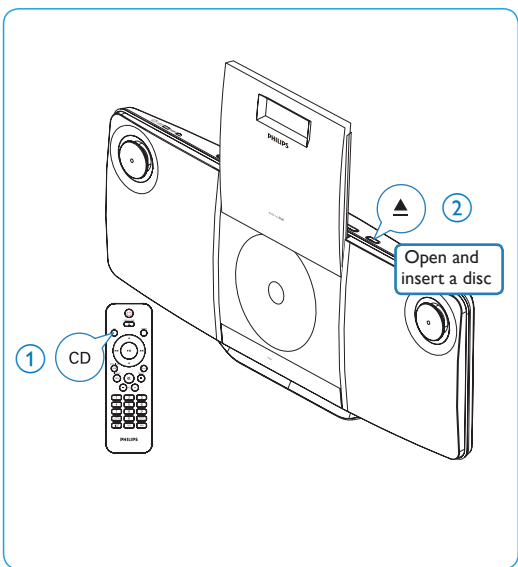
## A Connect



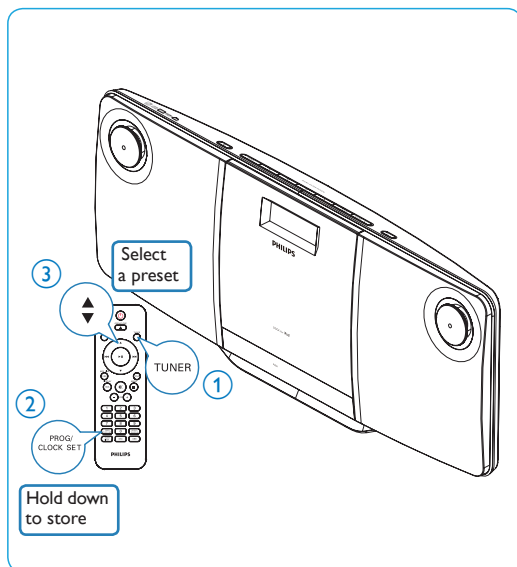
## B Set clock



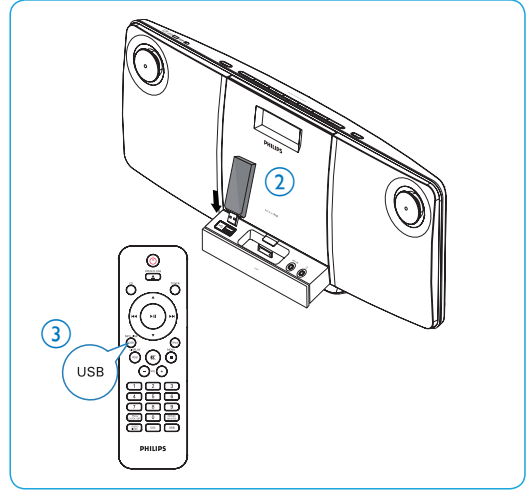
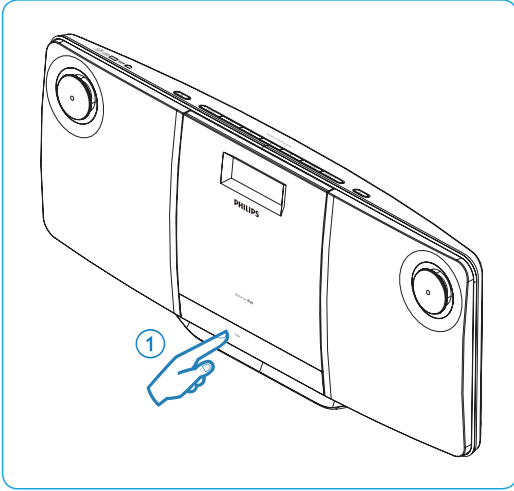
## C Play disc



## D Listen to radio



## E Play from USB



## F Play from iPod

