

Register your product and get support at  
[www.philips.com/welcome](http://www.philips.com/welcome)

MCM1006



# User manual

# PHILIPS

# Contents

---

<b>1</b>	<b>Important</b>	<b>4</b>
	Safety	4
	Notice	4

---

<b>2</b>	<b>Your micro music system</b>	<b>6</b>
	Introduction	6
	What's in the box	6
	Overview of the system	7

---

<b>3</b>	<b>Get started</b>	<b>8</b>
	Connect power	8
	Turn on and select a source	8

---

<b>4</b>	<b>Play discs</b>	<b>8</b>
	Control play	8
	Program tracks	9

---

<b>5</b>	<b>Play from a USB storage device</b>	<b>10</b>
	Control play	10
	Program tracks	10

---

<b>6</b>	<b>Listen to radio</b>	<b>11</b>
----------	------------------------	-----------

---

<b>7</b>	<b>Listen to an external device</b>	<b>12</b>
----------	-------------------------------------	-----------

---

<b>8</b>	<b>Adjust sound</b>	<b>12</b>
	Adjust the volume level	12
	Use the DBB sound effect	12

---

<b>9</b>	<b>Product information</b>	<b>13</b>
	Specifications	13
	USB playability information	13
	Supported MP3 disc formats	14
	Maintenance	14

# 1 Important

---

## Safety

Read and understand all instructions before you use this micro music system. If damage is caused by failure to follow the instructions, the warranty does not apply.

### Risk of electric shock or fire!

- Never expose the product and accessories to rain or water. Never place liquid containers, such as vases, near the product. If liquids are spilt on or into the product, disconnect it from the power outlet immediately. Contact Philips Consumer Care to have the product checked before use.
- Never place the product and accessories near naked flames or other heat sources, including direct sunlight.
- Never insert objects into the ventilation slots or other openings on the product.
- Make sure that you always have easy access to the power adaptor to disconnect the product from the power outlet.
- Disconnect the product from the power outlet before lightning storms.
- When you disconnect the power adaptor, always pull the plug, never the cable.

### Risk of short circuit or fire!

- Before you connect the product to the power outlet, make sure that the power voltage matches the value printed on the bottom of the product. Never connect the product to the power outlet if the voltage is different.
- Avoid force coming onto power plugs. Loose power plugs can cause arcing or fire.

### Risk of injury or damage to the product!

- Visible and invisible laser radiation when open. Avoid exposure to beam.

- Do not touch the disc optical lens inside the disc compartment.
- Never place the product or any objects on power cords or on other electrical equipment.
- If the product is transported in temperatures below 5°C, unpack the product and wait until its temperature matches room temperature before connecting it to the power outlet.

### Risk of overheating!

- Never install this product in a confined space. Always leave a space of at least four inches around the product for ventilation.
- Make sure that curtains or other objects never cover the ventilation slots on the product.

### Risk of swallowing batteries!

- The product may contain a coin type battery, which can be swallowed. Keep the battery out of reach of children at all times!

---

## Notice

Any changes or modifications made to this device that are not expressly approved by Philips Consumer Lifestyle may void the user's authority to operate the equipment.

---

## Compliance

This apparatus includes this label:



---

## Care of the environment



Your product is designed and manufactured with high quality materials and components, which can be recycled and reused. Never dispose of your product with other household waste. Please inform yourself about the local rules on the separate collection of electrical and electronic products and batteries. The correct disposal of these products helps prevent potentially negative consequences on the environment and human health. Your product contains batteries, which cannot be disposed of with normal household waste. Please inform yourself about the local rules on separate collection of batteries. The correct disposal of batteries helps prevent potentially negative consequences on the environment and human health. Please visit [www.recycle.philips.com](http://www.recycle.philips.com) for additional information on a recycling center in your area.

### Environmental information

All unnecessary packaging has been omitted. We have tried to make the packaging easy to separate into three materials: cardboard (box), polystyrene foam (buffer) and polyethylene (bags, protective foam sheet.) Your system consists of materials which can be recycled and reused if disassembled by a specialized company. Please observe the local regulations regarding the disposal of packaging materials, exhausted batteries and old equipment.

---

## Trademark notice



Windows Media and the Windows logo are trademarks, or registered trademarks of Microsoft Corporation in the United States and/or other countries.

---

## Copyright



The making of unauthorized copies of copy-protected material, including computer programs, files, broadcasts and sound recordings, may be an infringement of copyrights and constitute a criminal offence. This equipment should not be used for such purposes.

2012 © Koninklijke Philips Electronics N.V. Specifications are subject to change without notice. Trademarks are the property of Koninklijke Philips Electronics N.V or their respective owners. Philips reserves the right to change products at any time without being obliged to adjust earlier supplies accordingly.

### Note

- The type plate is located on the bottom of the system.

# 2 Your micro music system

---

## Introduction

**With this system, you can:**

- enjoy audio from discs, USB storage devices, and other external devices
- listen to FM radio stations

**You can enrich sound output with the sound effect:**

- Dynamic bass boost (DBB)

**Playable media:**

- Discs: CD-DA, CD-R, CD-RW, MP3-CD, WMA-CD
- Files: .mp3, .wma

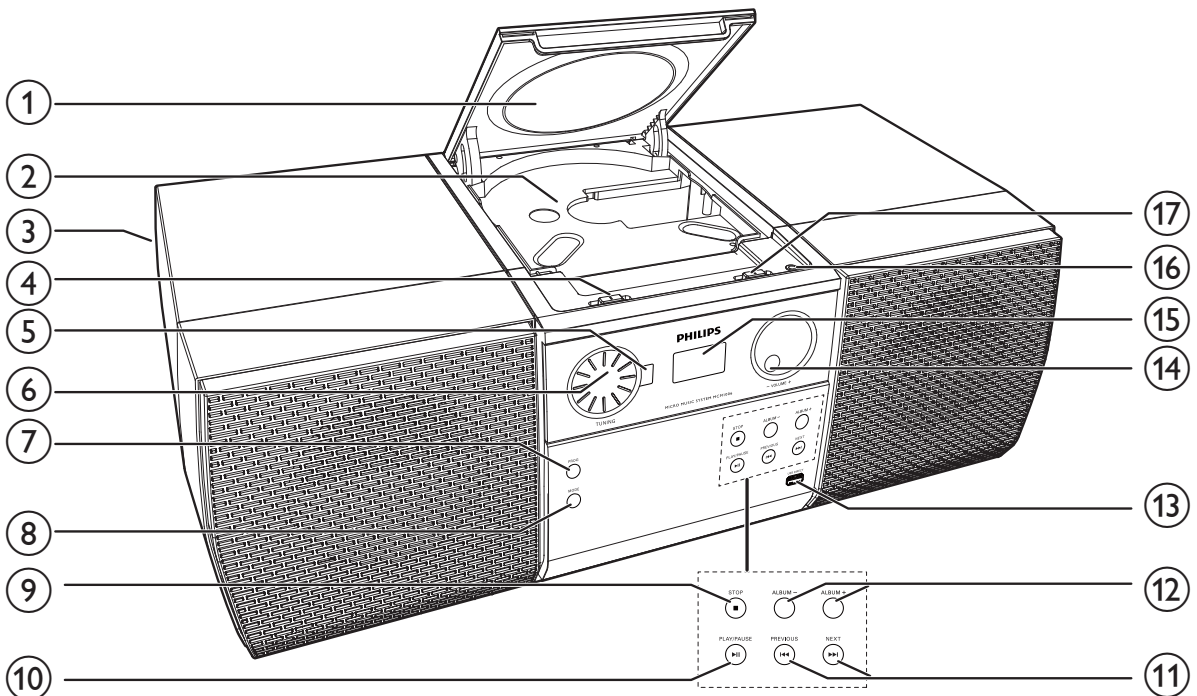
---

## What's in the box

Check and identify the contents of the package:

- Micro music system
- MP3 link cable
- User manual
- Round-to-flat plug convertor for power adaptor

# Overview of the system



- ① **Cover of disc compartment**
- ② **Disc compartment**
- ③ **Integrated speaker**
- ④ **DBB**
  - Slide to enable or disable the DBB sound effect.
- ⑤ **Indicator window**
  - Indicate the frequency of current FM radio station.
- ⑥ **TUNING**
  - Rotate to select an FM radio frequency.
- ⑦ **PROG**
  - Program audio tracks.
- ⑧ **MODE**
  - Press repeatedly to select a play mode.
- ⑨ **■ STOP**
  - Stop the play of audio tracks.
- ⑩ **▶|| PLAY/PAUSE**
  - Start, pause, or resume the play of audio tracks.
- ⑪ **◀◀ / ▶▶ PREVIOUS/NEXT**
  - Skip to the previous/next audio track.
- ⑫ **ALBUM - /ALBUM +**
  - Skip to the previous/next album.
- ⑬ **USB DIRECT**
  - Connect to a USB storage device.
- ⑭ **- VOLUME +**
  - Rotate to adjust the volume level.
- ⑮ **LCD screen**
- ⑯ **MP3-LINK**
  - Connect to the audio output socket (usually the headphone socket) of an external device.
- ⑰ **Power switch and source selector**
  - Slide to select a source or turn off the system.

# 3 Get started

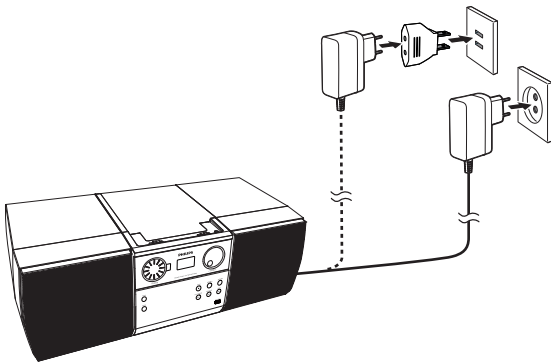
## ! Caution

- Use of controls or adjustments or performance of procedures other than herein may result in hazardous radiation exposure or other unsafe operation.

Always follow the instructions in this chapter in sequence.

## Connect power

Connect the power adaptor to the power supply socket.



## Turn on and select a source

Slide the power switch and source selector to **CD**, **USB**, or **FM**.

↳ The LED indicator beside the LCD screen lights up in red.

- To turn off the system, slide it to **OFF**.
- When the power switch and source selector is not in the "OFF" position and an MP3 link cable is connected to the **MP3-LINK** socket, the system automatically switches the source to audio input through the **MP3-LINK** socket.

# 4 Play discs

- 1 Slide the power switch and source selector to **CD**.
- 2 Lift the cover of disc compartment.
- 3 Load a disc with the printed side facing upwards.
- 4 Close the cover of disc compartment.
  - ↳ Play starts automatically after a few seconds.
  - If play does not start automatically, press **▶||** to start play.

## Control play

During play, follow the instructions below to control play.

Buttons	Function	LCD displays
<b>▶  </b>	Start or resume play.	the track number, ●, and ▶
<b>▶  </b>	Pause play.	the track number, ●, and ▶ (blinking)
<b>■</b>	Stop play.	the total number of tracks and ●
<b>◀◀ / ▶▶</b>	Press to skip to the previous or next track.	the track number, ●, and ▶
<b>◀◀ / ▶▶</b>	Press and hold to rewind or search forward fast within a track.	the track number, ●, and ▶
<b>ALBUM - / ALBUM +</b>	Skip to the previous or next album when no less than one album exists.	the track number, <b>ALB</b> , and ▶

---

## Program tracks

### Note

- You can program a maximum of 20 tracks.
- During programming, if no operation is made within 20 seconds, the system returns to stop mode without saving programmed tracks.

---

### For a CD

- 1 Press **■** to stop play.  
↳ The total number of tracks is displayed.
- 2 Press **PROG** to activate the programming.  
↳ **PROG** is displayed, and **TR** blinks.
- 3 Press **I◀◀ / ▶▶I** (or **ALBUM - /ALBUM +**) to select a track.  
↳ The track number blinks.
- 4 Press **PROG** again to program the selected track.
- 5 Repeat steps 3 and 4 to program more tracks.
- 6 Press **▶||** to start play.

---

### For a WMA/MP3 disc

- 1 Press **■** to stop play.  
↳ The total number of tracks is displayed.
- 2 Press **PROG** to activate the programming.  
↳ **PROG** is displayed, and **TR** blinks.
- 3 Press **I◀◀ / ▶▶I** (or **ALBUM - /ALBUM +**) repeatedly to select an album.  
↳ The album number and **ALB** blinks.
- 4 Press **PROG** again to confirm the selected album.  
↳ A track number is displayed, and **ALB** disappears.
- 5 Press **I◀◀ / ▶▶I** (or **ALBUM - /ALBUM +**) repeatedly to select a track.

- 6 Press **PROG** again to confirm the selected track.
- 7 Repeat steps 3 to 6 to program more tracks.
- 8 Press **▶||** to start play.

---

## Erase the program

### To erase the program,

- Press **■** twice.
- Slide the power switch and source selector.



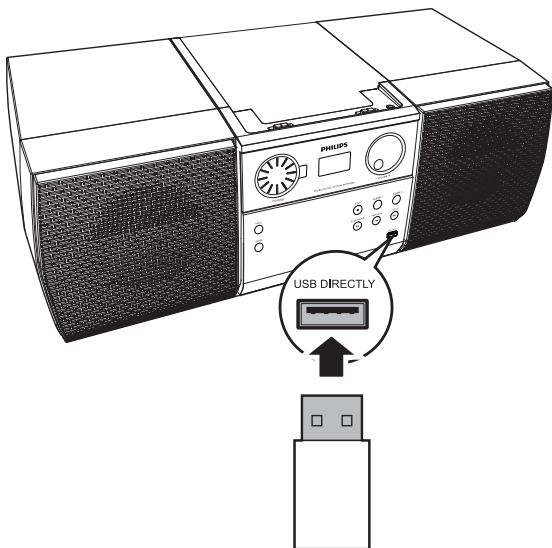
# 5 Play from a USB storage device

This system can play .mp3 and .wma files that are copied onto a supported USB storage device:

- Flash drive
- Memory card reader
- HDD: hard disc drive (This product can detect only a portable HDD with USB power peak current no more than 500 mA.)

## Note

- Philips does not guarantee compatibility with all USB storage devices.
- NTFS (New Technology File System) file system is not supported.



- 1 Slide the power switch and source selector to **USB**.
- 2 Connect the USB storage device to the **USB DIRECT** socket.
  - ↳ Play starts automatically after a few seconds.
  - If play does not start automatically, press **▶||** to start play.

## Control play

During play, follow the instructions below to control play.

Buttons	Function	LCD displays
<b>▶  </b>	Start or resume play.	the track number, <b>WMA/MP3</b> (track format), <b>Ⓢ</b> , and <b>▶</b>
<b>▶  </b>	Pause play.	the track number, <b>WMA/MP3</b> (track format), <b>Ⓢ</b> , and <b>▶</b> (blinking)
<b>■</b>	Stop play.	the total number of tracks, <b>WMA/MP3</b> (track format), and <b>Ⓢ</b>
<b>⏮/▶</b>	Press to skip to the previous or next track.	the track number, <b>WMA/MP3</b> (track format), <b>Ⓢ</b> , and <b>▶</b>
<b>⏮/▶</b>	Press and hold to rewind or search forward fast within a track.	the track number, <b>WMA/MP3</b> (track format), <b>Ⓢ</b> , and <b>▶</b>
<b>ALBUM - / ALBUM +</b>	Skip to the previous or next album when no album exists.	the album number, <b>ALB</b> , <b>WMA/MP3</b> (track format), and <b>Ⓢ</b>

## Program tracks

### Note

- You can program a maximum of 20 tracks.
- During programming, if no operation is made within 20 seconds, the system returns to stop mode without saving programmed tracks.

- 1 Press **■** to stop play.  
↳ The total number of tracks is displayed.
- 2 Press **PROG** to activate the programming.  
↳ **PROG** is displayed, and **F I** blinks.
- 3 Press **I◀◀ / ▶▶I** (or **ALBUM - /ALBUM +**) repeatedly to select an album.  
↳ The album number and **ALB** blinks.
- 4 Press **PROG** again to confirm the selected album.  
↳ A track number is displayed, and **ALB** disappears.
- 5 Press **I◀◀ / ▶▶I** (or **ALBUM - /ALBUM +**) repeatedly to select a track.
- 6 Press **PROG** again to confirm the selected track.
- 7 Repeat steps 3 to 6 to program more tracks.
- 8 Press **▶||** to start play.

---

## Erase the program

To erase the program,

- Press **■** twice.
- Slide the power switch and source selector.

# 6 Listen to radio



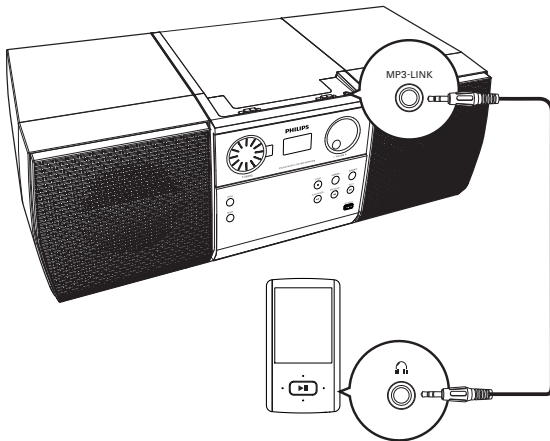
## Note

- For optimal reception, fully extend the FM antenna and adjust its position.

- 1 Slide the power switch and source selector to **FM**.
- 2 Rotate the **TUNING** knob to tune to an FM radio station.

## 7 Listen to an external device

You can use the system as a speaker to amplify the audio input from an external device, for example, MP3 player.



- 1 Slide the power switch and source selector to **CD**, **USB**, or **FM**.
- 2 Connect the MP3 link cable to
  - the **MP3-LINK** socket on the system, and
  - the audio output socket (usually the headphone socket) on the external device.
- 3 Play the external device.

### Note

- To play audio input from other sources, disconnect the MP3 link cable from the system.

## 8 Adjust sound

The following operations are applicable to all supported media.

---

### Adjust the volume level

Rotate the **-VOLUME +** knob clockwise or anti-clockwise to increase or decrease the volume level.

---

### Use the DBB sound effect

Slide **DBB** to **ON** to enable the DBB sound effect.

- To disable the DBB sound effect, slide **DBB** to **OFF**.

# 9 Product information

## Note

- Product information is subject to change without prior notice.

## Specifications

### Amplifier

Rated output power	2 X 2 W RMS
Frequency response	40 Hz - 20 kHz, $\pm 3$ dB
Signal-to-noise ratio	> 50 dB
MP3-Link input	600 mV RMS, 22 kOhm

### Disc

Laser type	Semiconductor
Disc diameter	12cm, 8cm
Support discs	CD-DA, CD-R, CD-RW, MP3-CD, WMA-CD
Audio DAC	24 Bits, 44.1 kHz
Total harmonic distortion	< 3% (1 kHz)
Frequency response	40 Hz - 20 kHz (44.1 kHz)
S/N Ratio	> 55 dB

### Tuner (FM)

Tuning range	88-108 MHz
Sensitivity	
- Mono, 26 dB S/N Ratio	< 22 dBf
- Stereo, 46 dB S/N Ratio	< 43 dBf
Total harmonic distortion	< 3%
Signal-to-noise ratio	> 50 dB

## General information

AC power input	100-240 V ~, 50-60 Hz
Output of AC-DC power adaptor	12 V $\overline{\text{---}}$ , 1000 mA
Operation power consumption	10 W
USB Direct	Version 1.1
Dimensions (W x H x D)	450 x 158 x 208 mm
Net weight	2.05 kg

## USB playability information

### Compatible USB storage devices:

- USB flash memory (USB 1.1)
- USB flash players (USB 1.1)
- Memory cards (an additional card reader required)

### Supported formats:

- USB or memory file format: FAT12, FAT16, FAT32 (sector size: 512 bytes)
- MP3 bitrate (data rate): 32-320 Kbps and variable bitrate
- WMA v9 or earlier
- Directory nesting up to a maximum of 8 levels
- Number of albums/folders: maximum 99
- Number of tracks/files: maximum 999
- File name in Unicode UTF8 (maximum length: 16 bytes)

### Unsupported formats:

- Empty album: an album that does not contain MP3/WMA files
- Unsupported file formats are skipped. For example, Word documents (.doc) or MP3 files with extension .dlf are ignored and not played.
- AAC, WAV, PCM audio files
- DRM protected WMA files (.wav, .m4a, .m4p, .mp4, .aac)
- WMA files in Lossless format

---

## Supported MP3 disc formats

- ISO9660, Joliet
- Maximum track/file number: 999  
(depending on file name length)
- Maximum album number: 99
- Supported sampling frequencies: 32 kHz, 44.1 kHz, 48 kHz
- Supported bitrates: 32-320 kbps, variable bitrates

---

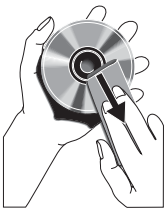
## Maintenance

### Clean the cabinet

- Use a soft cloth slightly moistened with a mild detergent solution. Do not use a solution containing alcohol, spirits, ammonia or abrasives.

### Clean discs

- When a disc becomes dirty, clean it with a cleaning cloth. Wipe the disc from the centre out.



- Do not use solvents such as benzene, thinner, commercially available cleaners, or antistatic spray intended for analogue records.

### Clean the disc lens

- After prolonged use, dirt or dust may accumulate at the disc lens. To ensure good play quality, clean the disc lens with Philips CD lens cleaner or any commercially available cleaner. Follow the instructions supplied with cleaner.

# 10 Troubleshooting



## Warning

- Never remove the casing of this apparatus.

To keep the warranty valid, never try to repair the product yourself.

If you encounter problems when using this product, check the following points before requesting service. If the problem remains unsolved, go to the Philips Web page ([www.philips.com/support](http://www.philips.com/support)). When you contact Philips, make sure that the product is nearby and the model number and serial number are available.

Write down the model number and serial number for record.

- **Model number:**
- **Serial number:**

Problem	Solution
No power.	Make sure that the power adaptor is securely connected to the power supply.
	Make sure that the power supply is available.
No sound or poor sound.	Adjust the volume level.
	To play audio input from a source other than <b>MP3-LINK</b> socket, disconnect the MP3 link cable.
No response from the system.	Disconnect and reconnect the power adaptor, and then turn on the system again.
No disc is detected.	Insert a disc.
	Make sure that the printed side of the disc faces outwards.
	Wait until the moisture condensation at the lens is cleared.
	Replace or clean the disc.
No USB storage device is detected.	Make sure that the disc is finalized and with supported format.
	Make sure that the USB storage device is supported. USB 2.0 storage device and NTFS file system are not supported.
Radio reception is poor.	Make sure that the USB storage device includes supported .wma or .mp3 files.
	Increase the distance between the system and your TV or VCR.
	Fully extend the FM antenna.
	Adjust the position of the FM antenna.
	Connect an outdoor FM antenna instead.



Specifications are subject to change without notice  
© 2012 Koninklijke Philips Electronics N.V.  
All rights reserved.

MCM1006\_55\_UM\_EN\_V1.0

