

For an optimal experience browse:

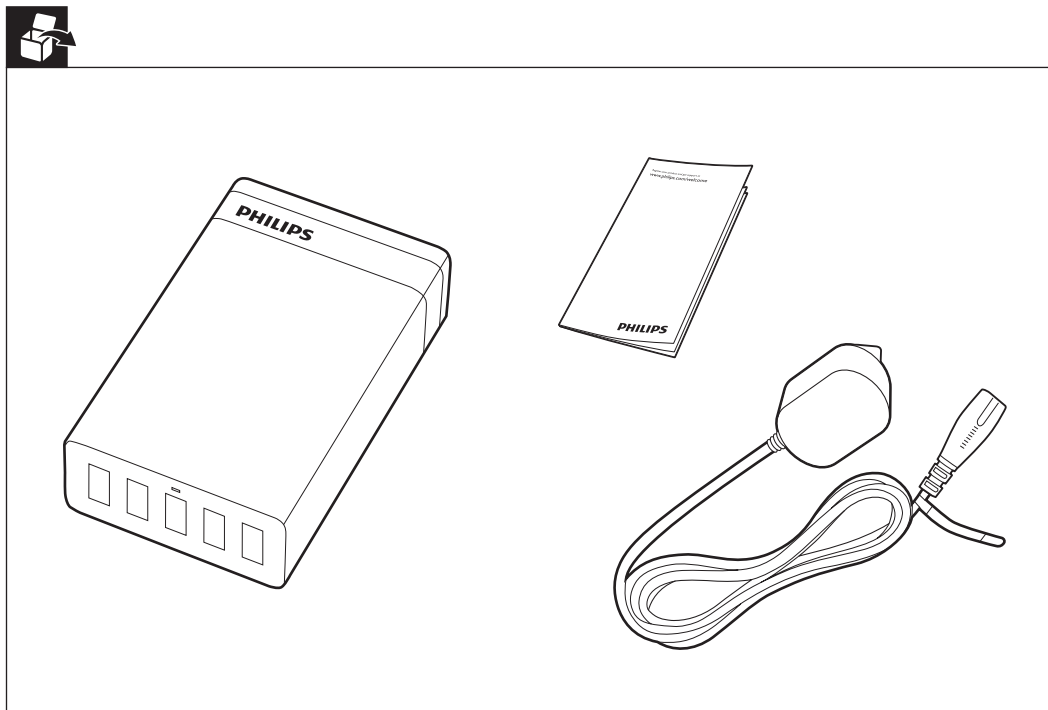
www.philips.com/support

DLK50450B



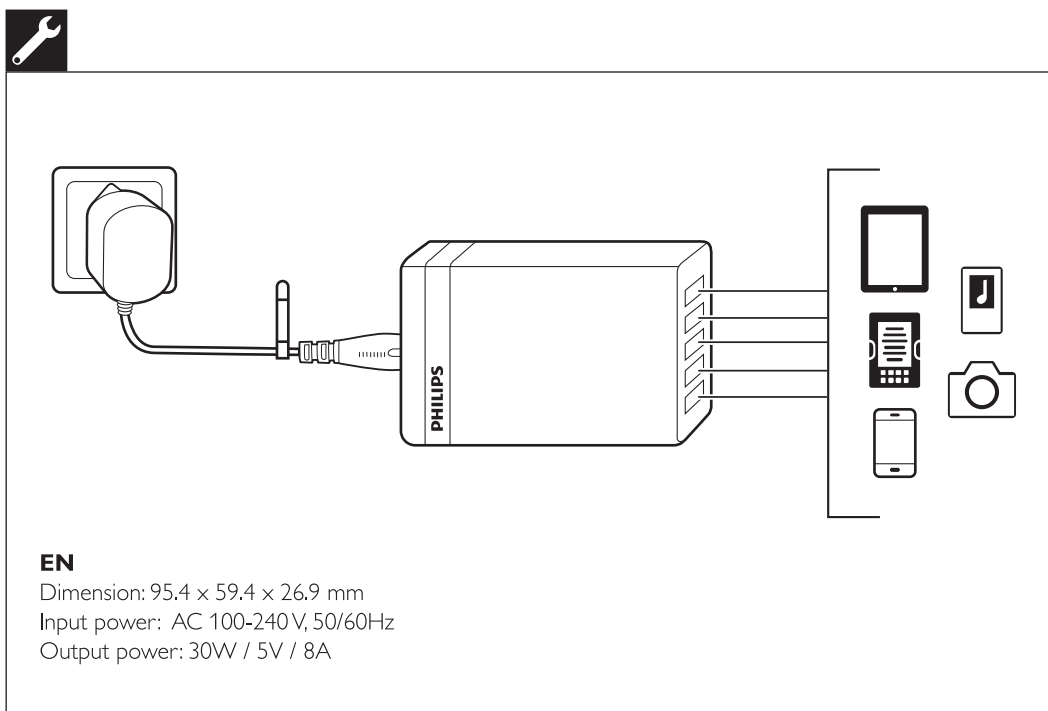
User manual

PHILIPS



DLK50450B_05_Y10
WK1536

2015 © Gibson Innovations Limited. All rights reserved. This product has been manufactured by and is sold under the responsibility of Gibson Innovations Ltd, and Gibson Innovations Ltd, is the warrantor in relation to this product. Philips and the Philips Shield Emblem are registered trademarks of Koninklijke Philips N.V. and are used under license from Koninklijke Philips N.V.



EN

Dimension: 95.4 × 59.4 × 26.9 mm

Input power: AC 100-240 V, 50/60Hz

Output power: 30W / 5V / 8A