

Register your product and get support at  
[www.philips.com/welcome](http://www.philips.com/welcome)

DCM276



---

EN User manual

---

**PHILIPS**

# Contents

<b>1 Important</b>	4	<b>8 Adjust sound</b>	16
Safety	4	Adjust volume level	16
Notice	5	Mute sound	16
		Select a preset sound effect	16
		Enhance bass	16
<b>2 Your Micro Hi-Fi System</b>	6		
Introduction	6	<b>9 Product information</b>	16
What's in the box	6	Specifications	16
Overview of the main unit	7	USB playability information	17
Overview of the remote control	8	Supported MP3 disc formats	17
		Maintenance	17
<b>3 Get started</b>	9		
Placement	9	<b>10 Troubleshooting</b>	18
Prepare the remote control	9		
Connect power	10		
Auto install radio stations	10		
Set clock	10		
Turn on	11		
<b>4 Play</b>	11		
Play a disc	11		
Play from USB	11		
Play options	12		
<b>5 Play iPod</b>	13		
Compatible iPod	13		
Play an iPod player	13		
Charge the iPod	13		
<b>6 Listen to radio</b>	14		
Tune to a radio station	14		
Program radio stations automatically	14		
Program radio stations manually	14		
Select a preset radio station	14		
<b>7 Other features</b>	15		
Set the alarm timer	15		
Set the sleep timer	15		
Play from an external device	15		

# 1 Important

## Safety

- ① Read these instructions.
- ② Keep these instructions.
- ③ Heed all warnings.
- ④ Follow all instructions.
- ⑤ Do not use this apparatus near water.
- ⑥ Clean only with dry cloth.
- ⑦ Do not block any ventilation openings. Install in accordance with the manufacturer's instructions.
- ⑧ Do not install near any heat sources such as radiators, heat registers, stoves, or other apparatus (including amplifiers) that produce heat.
- ⑨ Protect the power cord from being walked on or pinched, particularly at plugs, convenience receptacles, and the point where they exit from the apparatus.
- ⑩ Only use attachments/accessories specified by the manufacturer.
- ⑪ Use only with the cart, stand, tripod, bracket, or table specified by the manufacturer or sold with the apparatus. When a cart is used, use caution when moving the cart/apparatus combination to avoid injury from tip-over.
- ⑫ Unplug this apparatus during lightning storms or when unused for long periods of time.
- ⑬ Refer all servicing to qualified service personnel. Servicing is required when the apparatus has been damaged in any way, such as power-supply cord or plug is damaged, liquid has been spilled or objects have fallen into the apparatus,



the apparatus has been exposed to rain or moisture, does not operate normally, or has been dropped.

- ⑭ **Battery usage CAUTION** – To prevent battery leakage which may result in bodily injury, property damage, or damage to the unit:
  - Install all batteries correctly, + and - as marked on the unit.
  - Do not mix batteries (old and new or carbon and alkaline, etc.).
  - Remove batteries when the unit is not used for a long time.
- ⑮ Apparatus shall not be exposed to dripping or splashing.
- ⑯ Do not place any sources of danger on the apparatus (e.g. liquid filled objects, lighted candles).
- ⑰ Where the MAINS plug or an appliance coupler is used as the disconnect device, the disconnect device shall remain readily operable.
- ⑱ Visible and invisible laser radiation when open. Avoid exposure to beam.



### Warning

- Never remove the casing of this apparatus.
- Never lubricate any part of this apparatus.
- Never place this apparatus on other electrical equipment.
- Keep this apparatus away from direct sunlight, naked flames or heat.
- Never look into the laser beam inside this apparatus.
- Ensure that you always have easy access to the power cord, plug or adaptor to disconnect this apparatus from the power.

## Hearing safety

### Listen at a moderate volume.

- Using headphones at a high volume can impair your hearing. This product can produce sounds in decibel ranges that may cause hearing loss for a normal person, even for exposure less than a minute. The higher decibel ranges are offered for those that may have already experienced some hearing loss.
- Sound can be deceiving. Over time your hearing 'comfort level' adapts to higher volumes of sound. So after prolonged listening, what sounds 'normal' can actually be loud and harmful to your hearing. To guard against this, set your volume to a safe level before your hearing adapts and leave it there.

### To establish a safe volume level:

- Set your volume control at a low setting.
- Slowly increase the sound until you can hear it comfortably and clearly, without distortion.

### Listen for reasonable periods of time:

- Prolonged exposure to sound, even at normally 'safe' levels, can also cause hearing loss.
- Be sure to use your equipment reasonably and take appropriate breaks.

### Be sure to observe the following guidelines when using your headphones.

- Listen at reasonable volumes for reasonable periods of time.
- Be careful not to adjust the volume as your hearing adapts.
- Do not turn up the volume so high that you can't hear what's around you.
- You should use caution or temporarily discontinue use in potentially hazardous situations. Do not use headphones while operating a motorized vehicle, cycling, skateboarding, etc.; it may create a traffic hazard and is illegal in many areas.

## Notice

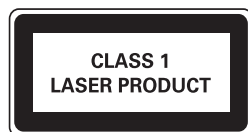
Any changes or modifications made to this device that are not expressly approved by Philips Consumer Lifestyle may void the user's authority to operate the equipment.

### Environmental information

All unnecessary packaging has been omitted. We have tried to make the packaging easy to separate into three materials: cardboard (box), polystyrene foam (buffer) and polyethylene (bags, protective foam sheet.)

Your system consists of materials which can be recycled and reused if disassembled by a specialized company. Please observe the local regulations regarding the disposal of packaging materials, exhausted batteries and old equipment.

### This apparatus includes these labels:



Class II equipment symbol



This symbol indicates that the apparatus has a double insulation system.



Windows Media and the Windows logo are trademarks, or registered trademarks of Microsoft Corporation in the United States and/or other countries.



“Made for iPod” means that an electronic accessory has been designed to connect specifically to iPod and has been certified by the developer to meet Apple performance standards.

Apple is not responsible for the operation of this device or its compliance with safety and regulatory standards.

iPod is a trademark of Apple Inc., registered in the U.S. and other countries.

## 2 Your Micro Hi-Fi System

Congratulations on your purchase, and welcome to Philips! To fully benefit from the support that Philips offers, register your product at [www.philips.com/welcome](http://www.philips.com/welcome).

---

### Introduction

With this unit, you can enjoy audio from discs, USB devices, iPod players and other external devices, or listen to radio stations.

The unit offers Digital Sound Control (DSC) and Dynamic Bass Boost (DBB) to enrich sound.

The unit supports the following media formats:



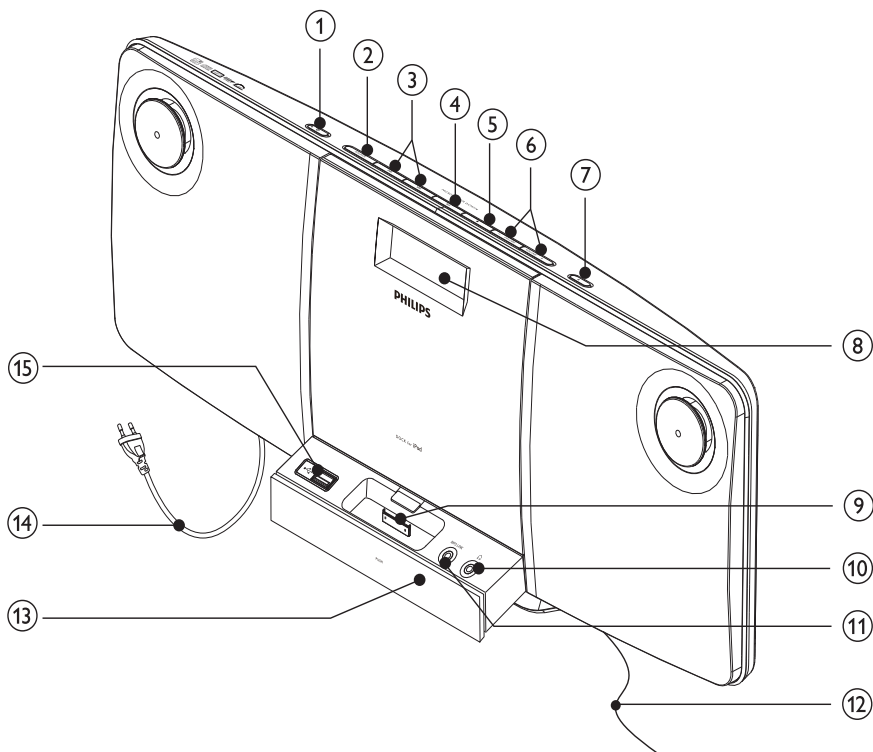
---

### What's in the box


Check and identify the contents of your package:

- Main unit
- Remote control
- 1 x MP3 link cable
- Plug adaptor
- Mounting kit (2 dowels and 2 screws)
- Quick start guide
- User manual
- Wall mounting instructions

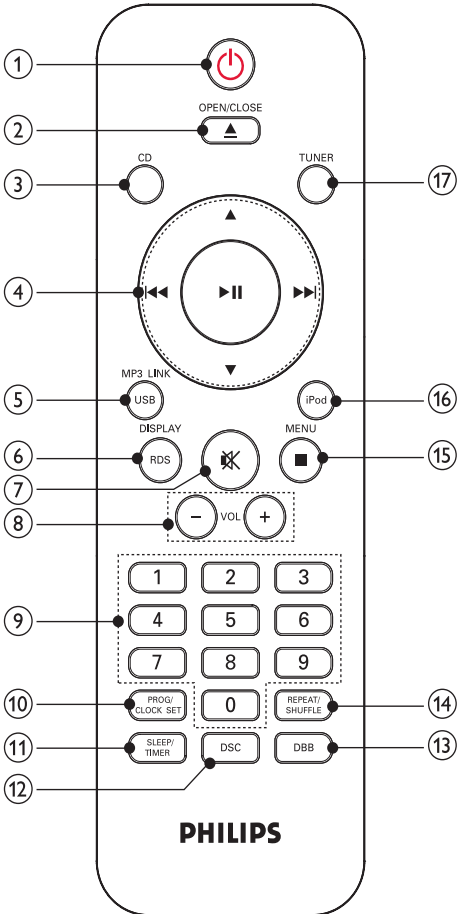
## Overview of the main unit





- ① **⏻**
- Turn on the unit, or switch to standby mode, or switch to Eco Power standby.
- ② **SOURCE**
- Select a source: CD, FM tuner, USB, iPod, or MP3 link.
- ③ **⏮️⏭️**
- Skip to the previous/next track.
  - Search within a track.
  - Tune to a radio station.
  - Select 12 hour or 24 hour format.
- ④ **▶️⏸️**
- Start or pause play.
- ⑤ **■**
- Stop play or erase a program.
- ⑥ **VOLUME + / -**
- Adjust volume.
- ⑦ **▲**
- Open/close the disc compartment.
- ⑧ **Display panel**
- Show current status.
- ⑨ **Dock for iPod**
- ⑩ **🎧**
- Jack for the headphone.
- ⑪ **MP3 LINK**
- Audio input jack (3.5mm ) for an external audio device.
- ⑫ **FM antenna**
- Improve FM reception.

- ⑬ Remote sensor
- ⑭ AC cord
- ⑮ 
  - Jack for a USB mass storage device.

## Overview of the remote control



- ① 
  - Turn on the unit, or switch to standby mode, or switch to Eco Power standby.

- ② **OPEN/CLOSE▲**
  - Open or close the disc compartment.
- ③ **CD**
  - Select disc source.
- ④ **▲/▼**
  - Navigate in the iPod menu.
  - Skip to the previous/next album.
    - /Skip to the previous/next track.
  - Search within a track.
  - Tune to a radio station.
  - Select 12 hour or 24 hour format.
    - Start or pause play.
- ⑤ **USB/MP3 LINK**
  - Select USB device source.
  - Select external audio device source.
- ⑥ **RDS/DISPLAY**
  - Select display information during play. RDS is not available.
- ⑦ 
  - Mute or restore volume.
- ⑧ **VOL +/-**
  - Adjust volume.
- ⑨ **Numeric keypad**
  - Select a track from a disc directly.
- ⑩ **PROG/CLOCK SET**
  - Program tracks.
  - Program radio stations.
  - Set the clock.
- ⑪ **SLEEP/TIMER**
  - Set the sleep timer.
  - Set the alarm timer.
- ⑫ **DSC**
  - Select a preset sound setting.
- ⑬ **DBB**
  - Turn on or off dynamic bass enhancement.
- ⑭ **REPEAT/SHUFFLE**
  - Play a track or all tracks repeatedly.
  - Play tracks randomly.

- 15 **■/MENU**
- Stop play or erase a program.
  - Access the iPod menu.
- 16 **iPod**
- Select iPod source.
- 17 **TUNER**
- Select tuner source.

## 3 Get started

### **!** Caution

- Use of controls or adjustments or performance of procedures other than herein may result in hazardous radiation exposure or other unsafe operation.

Always follow the instructions in this chapter in sequence.

If you contact Philips, you will be asked for the model and serial number of this apparatus. The model number and serial number are on the rear of the apparatus. Write the numbers here:

Model No. \_\_\_\_\_

Serial No. \_\_\_\_\_

### Placement

You can place the unit on a flat surface or mount the unit on a wall.

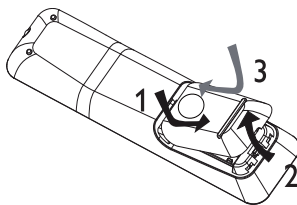
### Mount on a wall

To wall mount the unit, see the included separate sheet of wall mounting instructions.

### Prepare the remote control

### **!** Caution

- Risk of explosion! Keep batteries away from heat, sunshine or fire. Never discard batteries in fire.



- 1 Open the battery compartment.
- 2 Insert 2 AAA batteries with correct polarity (+/-) as indicated.



### 3 Close the battery compartment.

#### Note

- If you are not going to use the remote control for a long time, remove the batteries.
- Do not use old and new or different types of batteries in combination.
- Batteries contain chemical substances, so they should be disposed of properly.

## Connect power

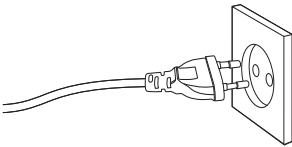
#### Caution

- Risk of product damage! Ensure that the power supply voltage corresponds to the voltage printed on the bottom of the unit.
- Before connecting the AC cord, ensure you have completed all other connections.

#### Note

- The type plate is located on the rear of the main unit.

### 1 Connect the AC cord to the AC outlet.



## Auto install radio stations

When you connect power and no radio stations are stored, the unit automatically begins to store radio stations.

- 1 Connect the unit to the power supply.
  - ↳ [AUTO INSTALL - PRESS PLAY KEY](auto install - press play key) is displayed.
- 2 Press **▶||** on the main unit to start installation.
  - ↳ The unit automatically stores radio stations with sufficient signal strength.
  - ↳ When all the available radio stations are stored, the first preset radio station is broadcast automatically.

## Set clock

#### Note

- You can set the clock in the standby mode only.

- 1 Press **PROG/CLOCK SET** to enter the clock setting mode.
  - ↳ [SET CLOCK](set clock) scrolls on the screen.
- 2 Press **◀◀▶▶** repeatedly to select 12 hour or 24 hour format.
- 3 Press **PROG/CLOCK SET** to confirm.
  - ↳ The hour digits are displayed and begin to blink.
- 4 Press **◀◀▶▶** to set the hour.
- 5 Press **PROG/CLOCK SET** to confirm.
  - ↳ The minute digits are displayed and begin to blink.
- 6 Press **◀◀▶▶** to set the minute.
- 7 Press **PROG/CLOCK SET** to confirm the clock setting.

## Turn on

- 1 Press **⏻**.  
↳ The unit switches to the last selected source.

## Switch to standby

- 1 Press **⏻** again to switch the unit to standby mode.  
↳ The clock (if set) appears on the display panel.

To switch the unit to Eco Power Standby mode:

- 1 In the standby mode, press and hold **⏻** for more than 2 seconds.  
↳ The backlight on the display panel turns off.

## 4 Play

### Play a disc

- 1 Press **CD** to select the disc source.
- 2 Press **▶** to open the disc compartment.
- 3 Insert a disc with the printed side facing outward.
- 4 Press **▶** to close the disc compartment.  
↳ Play starts automatically. If not, press **▶||**.

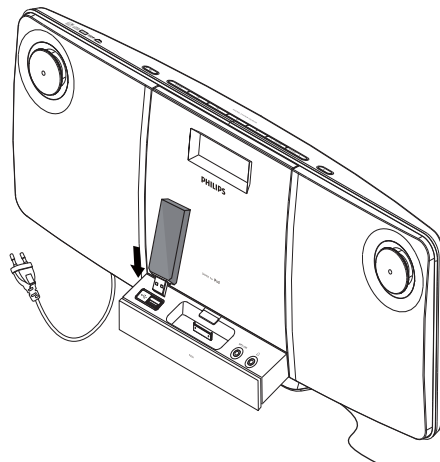
### Play from USB



#### Note

- Ensure that the USB device contains playable audio content.

- 1 Insert the USB device into the **USB** socket.



- 2 Press **USB/MP3 LINK** to select the USB source.  
↳ Play starts automatically. If not, press **▶||**.
  - To select a folder, press **▲/▼**.
  - To select an audio file, press **◀◀/▶▶**.

---

## Play options

---

### Pause/resume play

- 1 During play, press **▶||** to pause/resume play.

---

### Skip to a track

#### For CD:

- 1 Press **◀◀▶▶** to select another track.
  - To select a track directly, you can also press a key on the numerical keypad.

#### For MP3 disc and USB:

- 1 Press **▲▼** to select an album or a folder.
- 2 Press **◀◀▶▶** to select a track or a file.

---

### Search within a track

- 1 During play, press and hold **◀◀▶▶**.
- 2 Release to resume normal play.

---

### Select repeat/shuffle play options

- 1 During play, press **REPEAT/SHUFFLE** repeatedly to select a repeat option or the shuffle play mode.
  - **[↻]**: the current track is played repeatedly.
  - **[↻ALL]**: all tracks are played repeatedly.
  - **[🔀]**: all tracks are played randomly.
- 2 To resume normal play, press **REPEAT/SHUFFLE** repeatedly until no option is displayed.

---

## Program tracks

### Note

- You can program tracks only when the play stops.

You can program a maximum of 40 tracks.

- 1 Press **PROG/CLOCK SET** to activate the program mode.
  - ↳ **[PROG]** (program) is displayed.
- 2 For MP3/WMA tracks, press **▲/▼** to select an album.
- 3 Press **◀◀▶▶** to select a track, then press **PROG/CLOCK SET** to confirm.
- 4 Repeat steps 2 to 3 to program more tracks.
- 5 Press **▶||** to play the programmed tracks.
  - ↳ During play, **[PROG]** (program) is displayed.
    - To erase the program, in the stop position, press **■**.

## 5 Play iPod

You can enjoy audio from iPod through this Micro Hi-Fi system.

### Compatible iPod

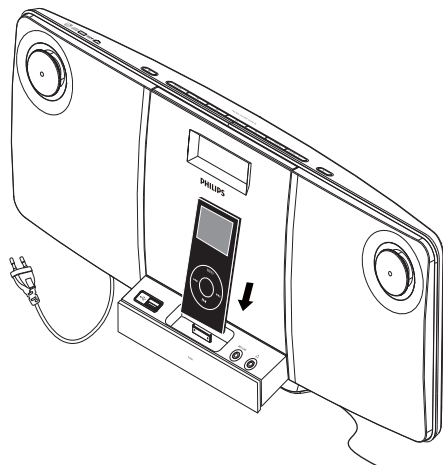
Apple iPod models with a 30-pin dock connector:

Made for:

- iPod classic
- iPod touch
- iPod nano
- iPod 5th generation (video)
- iPod with color display
- iPod mini

### Play an iPod player

- 1 Place the iPod player in the dock.



- 2 Press **iPod** to select iPod source.
  - ↳ The connected iPod plays automatically.
    - To pause/resume play, press ►||.
    - To skip to a track, press ◀◀▶▶.
    - To search during play, press and hold ◀◀▶▶, then release to resume normal play.

### Charge the iPod

When the unit is connected to power, the docked iPod begins to charge.

# 6 Listen to radio

---

## Tune to a radio station

- 1 Press **TUNER** to select FM.
- 2 Press and hold **◀◀▶▶** for more than 2 seconds.
  - ↳ **[SEARCH]** (search) is displayed.
  - ↳ The radio tunes to a station with strong reception automatically.
- 3 Repeat step 2 to tune to more stations.
  - To tune to a weak station, press **◀◀▶▶** repeatedly until you find optimal reception.

---

## Program radio stations automatically

You can program a maximum of 20 preset radio stations (FM).

- 1 In the tuner mode, press and hold **PROG/CLOCK SET** for more than 2 seconds to activate automatic program mode.
  - ↳ **[AUTO]** (auto) is displayed.
  - ↳ All available stations are programmed in the order of waveband reception strength.
  - ↳ The first programmed radio station is broadcast automatically.

---

## Program radio stations manually

You can program a maximum of 20 preset radio stations (FM).

- 1 Tune to a radio station.
- 2 Press **PROG/CLOCK SET** to activate program mode.
  - ↳ **[PROG]** (program) is displayed.

- 3 Press **▲/▼** to allocate a number to this radio station, then press **PROG/CLOCK SET** to confirm.
- 4 Repeat the above steps to program other stations.



### Tip

- To overwrite a programmed station, store another station in its place.

---

## Select a preset radio station

- 1 In tuner mode, press **▲/▼** to select a preset number.



### Tip

- Position the antenna as far as possible from TV, VCR or other radiation source.
- For optimal reception, fully extend and adjust the position of the antenna.

# 7 Other features

## Set the alarm timer

This unit can be used as an alarm clock. The disc/radio/USB/iPod is activated to play at a preset time.

### Note

- Ensure that you have set the clock correctly.

- 1 Press **⏻** to switch to standby mode.
- 2 Press and hold **SLEEP/TIMER** for more than two seconds.
  - ↳ A prompt to select the source is displayed.
- 3 Press **CD**, **TUNER**, **USB** or **iPod** to select a source.
- 4 Press **SLEEP/TIMER** to confirm.
  - ↳ The clock digits are displayed.
  - ↳ The hour digits begin to blink.
- 5 Press **⏮** to set the hour.
- 6 Press **SLEEP/TIMER** to confirm.
  - ↳ The minute digits begin to blink.
- 7 Press **⏭** to set the minute.
  - ↳ The timer is set and activated.
  - ↳ **⌚** is displayed.

## Set the sleep timer

This unit can switch to standby automatically after a set period of time.

- 1 When the unit is turned on, press **SLEEP/TIMER** repeatedly to select a set period of time (in minutes).
  - ↳ When sleep timer is activated, **z<sup>z</sup>** is displayed.

### To deactivate sleep timer

- 1 Press **SLEEP/TIMER** repeatedly until **[OFF]** (off) is displayed.
  - ↳ When sleep timer is deactivated, **z<sup>z</sup>** disappears on the display.

## Play from an external device

You can also listen to an external audio device through this unit.

- 1 Press **USB/MP3 LINK** to select the MP3 link source.
- 2 Connect the supplied MP3 link cable to:
  - the **MP3 LINK** jack (3.5mm) on the unit.
  - the headphone jack on an external device.
- 3 Start to play the device (see the device user manual).

## 8 Adjust sound

### Adjust volume level

- 1 During play, press **VOL +/-** to increase/decrease the volume level.

### Mute sound

- 1 During play, press **M** to mute/unmute sound.

### Select a preset sound effect

- 1 During play, press **DSC** repeatedly to select:
  - **[POP]** (pop)
  - **[JAZZ]** (jazz)
  - **[ROCK]** (rock)
  - **[CLASSIC]** (classic)
  - **[FLAT]** (flat)

### Enhance bass

- 1 During play, press **DBB** to turn on or off dynamic bass enhancement.  
↳ If DBB is activated, **[DBB]** is displayed.

## 9 Product information



### Note

- Product information is subject to change without prior notice.

## Specifications

### Amplifier

Total output power	2 x 5 W RMS
Frequency response	125 Hz - 16 kHz, ± 3 dB
Signal to noise ratio	> 60 dB
MP3 link input	0.5 V RMS 20 kΩ

### Disc

Laser type	Semiconductor
Disc diameter	12 cm / 8 cm
Support disc	CD-DA, CD-R, CD-RW, MP3-CD, WMA-CD
Audio DAC	24 Bits / 44.1 kHz
Total harmonic distortion	< 1.5%
Frequency response	60 Hz -16 kHz (44.1 kHz)
Signal to noise ratio	> 75 dBA

### Tuner

Tuning range	FM: 87.5 - 108 MHz
Tuning grid	50 KHz
Number of presets	20

### Speakers

Speaker driver	3" woofer
Speaker impedance	5 W, 4 Ω

## General information

AC power	110-127 V/ 220-240 V~, 50/60 Hz
Operation Power Consumption	15 W
Standby Power Consumption	< 5 W
USB Direct	Version 2.0/1.1
Dimensions	
- Main Unit (W x H x D)	542 x 238 x 102 mm
Weight	
- Main Unit	3.935 kg

## USB playability information

### Compatible USB devices:

- USB flash memory (USB 2.0 or USB 1.1)
- USB flash players (USB 2.0 or USB 1.1)
- memory cards (requires an additional card reader to work with this unit)

### Supported formats:

- USB or memory file format FAT12, FAT16, FAT32 (sector size: 512 bytes)
- MP3 bit rate (data rate): 32-320 Kbps and variable bit rate
- WMA v9 or earlier
- Directory nesting up to a maximum of 8 levels
- Number of albums/ folders: maximum 99
- Number of tracks/titles: maximum 999
- ID3 tag v2.0 to v2.4
- File name in Unicode UTF8 (maximum length: 128 bytes)

### Unsupported formats:

- Empty albums: an empty album is an album that does not contain MP3/WMA files, and is not be shown in the display.
- Unsupported file formats are skipped. For example, Word documents (.doc) or MP3 files with extension .dlf are ignored and not played.
- AAC, WAV, PCM audio files

- DRM protected WMA files (.wav, .m4a, .m4p, .mp4, .aac)
- WMA files in Lossless format

## Supported MP3 disc formats

- ISO9660, Joliet
- Maximum title number: 999 (depending on file name length)
- Maximum album number: 99
- Supported sampling frequencies: 32 kHz, 44.1kHz, 48 kHz
- Supported Bit-rates: 32-320 (kbps), variable bit rates
- ID3 tag v2.0 to v2.4
- Directory nesting up to a maximum of 8 levels

## Maintenance

### Clean the cabinet

- Use a soft cloth slightly moistened with a mild detergent solution. Do not use a solution containing alcohol, spirits, ammonia or abrasives.

### Clean discs

- When a disc becomes dirty, clean it with a cleaning cloth. Wipe the disc from the centre out.
- Do not use solvents such as benzene, thinner, commercially available cleaners, or antistatic spray intended for analogue records.



### Clean the disc lens

- After prolonged use, dirt or dust may accumulate at the disc lens. To ensure good play quality, clean the disc lens with Philips CD lens cleaner or any commercially available cleaner. Follow the instructions supplied with cleaner.



# 10 Troubleshooting



## Warning

- Never remove the casing of this apparatus.

To keep the warranty valid, never try to repair the system yourself.

If you encounter problems when using this apparatus, check the following points before requesting service. If the problem remains unsolved, go to the Philips web site [www.philips.com/welcome](http://www.philips.com/welcome). When you contact Philips, ensure that the apparatus is nearby and the model number and serial number are available.

### No power

- Ensure that the AC power plug of the unit is connected properly.
- Ensure that there is power at the AC outlet.
- To save power, the unit switches to standby automatically 15 minutes after a play reaches the end and no control is operated.

### No sound

- Adjust the volume.

### No response from the unit

- Disconnect and reconnect the AC power plug, then turn on the unit again.

### No disc detected

- Insert a disc.
- Check if the disc is inserted with the print side facing inward.
- Wait until the moisture condensation at the lens has cleared.
- Replace or clean the disc.
- Use a finalized CD or correct format disc.

### Remote control does not work

- Before pressing any function button, first select the correct source with the remote control instead of the main unit.
- Reduce the distance between the remote control and the unit.

- Insert the battery with its polarities (+/- signs) aligned as indicated.
- Replace the battery.
- Aim the remote control directly at the sensor on the front of the unit.

### Cannot display some files in USB device

- The number of folders or files in the USB device has exceeded a certain limit. This phenomenon is not a malfunction.
- The formats of these files are not supported.

### USB device not supported

- The USB device is incompatible with the unit. Try another one.

### Poor radio reception

- Increase the distance between the unit and your TV or VCR.
- Fully extend and adjust the FM antenna.

### Clock/timer setting erased

- Power has been interrupted or the power cord has been disconnected.
- Reset the clock/timer.

### Timer does not work

- Set the clock correctly.
- Switch on the timer.

# LISTA DE SERVIÇO AUTORIZADO - BRASIL

<b>ACRE</b>					
CRUZEIRO DO SUL	68-33227216	ITUMBARA	64-34310937	SAO JOAO DEL REI	32-33718306
RIO BRANCO	68-32217642	LUZIANIA	61-36228519	SAO SEBASTIAO DO PARAISO	35-35313094
<b>ALAGOAS</b>		MINEIROS	64-36618259	SETE LAGOAS	31-37718570
ARAPIRACA	82-35222367	PIRES DO RIO	64-34611133	TEOFILO OTONI	33-35225831
MACEIO	82-32417237	RIALMA	62-33971320	TIMOTOE	31-38482728
PALMEIRA DOS INDIOS	82-34213452	RIO VERDE	64-36132034	TRES CORACOES	35-32324143
UNIAO DOS PALMARES	82-32811305	TRINIDADE	62-35051505	UBA	32-35323626
<b>AMAPA</b>		URUACU	62-33571285	UBERABA	34-33332520
MACAPA	96-32175934	<b>MARANHAO</b>		UBERLANDIA	34-32123636
<b>AMAZONAS</b>		ACAILANDIA	99-35381889	VARGINHA	35-32228414
MANAUS	92-36633366	BACABAL	99-36212794	VARZEA DA PALMA	38-37311548
MANAUS	92-32324252	CAXIAS	99-35212377	VICOSA	31-38918000
<b>BAHIA</b>		CODO	99-36612942	<b>PARA</b>	
ALAGOINHAS	75-34211128	SANTA INES	98-36537553	ALTAMIRA	91-35154349
BARREIRAS	77-36117592	IMPERATRIZ	99-35232906	ANANINDEUA	91-32334831
CATETE	77-34541183	PEDREIRAS	98-36423142	BELEM	91-32421090
CAMACARI	71-36218288	PRESIDENTE DUTRA	99-36631815	BELEM	91-32542424
CRUZ DAS ALMAS	75-36212839	SAO JOSE DE RIBAMAR	98-32241581	CAPANEMA	91-34621100
EUNAPOLIS	73-32815181	SAO LUIS	98-32323236	CASTANHAL	91-37215052
FEIRA DE SANTANA	75-32232882	<b>MATO GROSSO</b>		MARABA	94-32242207
GUANAMBI	77-34512791	BARRA DO GARCAS	66-34011394	PARAGOMINAS	91-30110778
ILHEUS	73-32315955	CUIABA	65-33176464	PARAUPEBAS	94-33561756
IRECE	74-36410202	LUCAS DO RIO VERDE	65-35491333	SANTAREM	93-35235322
ITABUNA	73-36137777	PONTES E LACERDA	65-32662326	TUCURUI	55-33523215
JACOBINA	74-36211323	RONDONOPOLIS	66-34233888	<b>PARAIBA</b>	
JEQUIE	73-35254141	TANGARA DA SERRA	65-33261431	CAMPINA GRANDE	83-33212128
JUAZEIRO	74-36116456	VARZEA GRANDE	65-36826502	JUARAIBRA	83-32711159
LAURO DE FREITAS	71-33784021	<b>MATO GROSSO DO SUL</b>		JOAO PESSOA	83-32469689
MURITIBA	75-34241908	AMAMBAI	67-34811543	NOVA FLORESTA	83-33741014
PAULO AFONSO	75-32811349	CAMPO GRANDE	67-33831540	SAPE	83-32832479
RIBEIRA DO POMBAL	75-32761853	CAMPO GRANDE	67-33213898	<b>PARANA</b>	
SALVADOR	71-32473659	DOURADOS	67-34271717	ARAPONGAS	43-32521606
SALVADOR	71-32072070	NOVA ANDRADINA	67-34413851	ASSIS CHATEAUBRIAND	44-35285815
SALVADOR	71-33356233	<b>MINAS GERAIS</b>		BANDEIRANTES	43-35421711
SENHOR DO BONFIM	74-35413143	ANDRADAS	35-37312970	CAMPO MOURAO	44-30164500
SERRINHA	75-32611794	ARAGUARI	34-32416026	CASCAVEL	45-32254005
SANTO ANTONIO DE JESUS	75-36314470	ARAXA	34-36611132	CIANORTE	44-36292842
TEIXEIRA DE FREITAS	73-30111600	ARAXA	34-36691869	CURITIBA	41-33334764
<b>CEARA</b>		BARCOS	37-33513455	CURITIBA	41-32648741
CRATEUS	88-36910019	BAMBUI	37-34311473	FOZ DO IGUAQU	45-35234115
FORTELEZA	85-40088555	BELO HORIZONTE	31-32254066	FRANCISCO BELTRAO	46-35241501
IGUATU	88-35810512	BETIM	31-35322088	IBIPORA	43-32581863
ITAPOCOCA	88-36312030	BOM DESPACHO	37-35222511	IRATI	42-34221337
JUAZEIRO DO NORTE	88-35871973	CARANGLA	32-37412017	LAPA	41-36222410
SOBRAL	88-36110605	CARATINGA	33-33213433	LONDRINA	43-33210077
TAUA	88-34371987	CASSIA	35-35412293	MANDAGUARI	44-32331335
TIANGUA	88-36713336	CATAGUASES	32-34227986	MARECHAL CANDIDO RONDON	45-32542605
UBAJARA	88-36341233	CONGONHAS	31-37311638	MARINGA	43-32264620
<b>DISTRITO FEDERAL</b>		CONTAGEM	31-33912994	MEDIANEIRA	45-32642580
BRASILIA	61-35564840	CONORTEL	31-38411804	PARANAVAI	44-34234711
BRASILIA	61-33549615	CURVELO	38-37213009	PATO BRANCO	46-32242786
BRASILIA	61-34451991	DIVINOPOLIS	37-32212353	PONTA GROSSA	42-30285061
<b>ESPIRITO SANTO</b>		FORMIGA	37-33214177	RIO NEGRO	47-36450251
ALEGRE	28-35526349	FORMIGADOR VALADARES	33-32718650	ROLANDIA	43-32619497
ARACRUZ	27-32561251	GUAXUPÉ	35-35514124	SANTO ANTONIO PLATINA	43-35341809
BAIXO GUANDU	27-37321142	IPATINGA	31-38222332	SAO MIGUEL DO IGUAQU	45-35651429
BARRA DE SAO FRANCISCO	27-37562245	ITABIRA	31-38316218	TOLEDO	45-32522471
CACHOEIRA DE ITAPEMIRIM	28-35223524	ITAJUBA	35-36211315	UMARAMA	44-30561485
COLATINA	27-37222288	ITAPECERICA	37-33411326	<b>PERNAMBUCO</b>	
GUARAPARI	27-33614355	ITAUNA	37-32412468	CAMO SANTO AGOSTINHO	81-35211823
SAO MATEUS	27-37633806	JOAO MONLEVADE	31-38512909	CABRANGIBE	81-34581246
SERRA	27-33284292	JOAO PINHEIRO	38-35611327	CARUARU	81-37220235
VILA VELHA	27-32891233	JUIZ DE FORA	32-32151514	GARANHUNS	87-37610085
VITORIA	27-32233899	LAGOA DA PRATA	37-32613493	PAULISTA	81-34331142
<b>GOIAS</b>		LAVRAS	35-38210550	RECIFE	81-32313399
ANAPOLIS	62-33243562	MANHUAU	33-33314735	RECIFE	81-34656604
CALDAS NOVAS	64-34532878	MONTE CARMELO	34-38422082	RECIFE	81-32286123
CATALAO	64-34412786	MONTE SANTO DE MINAS	35-35911888	SERRA TALHADA	87-38311401
FORMOSA	61-36318166	MUNIZ MORGES	38-32218925	<b>PIAUÍ</b>	
GOIANESIA	62-33534967	MURIAE	32-37224334	PARNAIBA	86-32222877
GOIANIA	62-32916770	NANUQUE	33-36212165	TERESINA	86-32230825
GOIANIA	62-32510933	NOVA LIMA	31-35412026	TERESINA	86-32214618
GOIANIA	62-32292908	OLIVEIRA	37-33314444	<b>RIO DE JANEIRO</b>	
GOIATUBA	64-34952401	PARACATU	38-36711250	BARRA DO PIRAI	24-24437745
INHUMAS	62-35111431	PASSOS	35-35214342	BELFORD ROXO	21-27795797
ITAPURANGA	62-33551484	PATOS DE MINAS	34-38222588	BOM JESUS DO ITABAPOANA	22-38312216
		PATROCINIO	34-38311531	CABO FRIO	22-26451819
		PIUMHI	37-33714632	CAMPOS DOS GOYTACAZES	22-27221499
		POCOS DE CALDAS	35-37224448	CORDEIRO	22-25512099
		PONTE NOVA	31-38172486		
		POUSO ALEGRE	35-34212120		

# LISTA DE SERVIÇO AUTORIZADO - BRASIL

DUQUE DE CAXIAS	21-27711508	CONCORDIA	49-34423704	SAO CAETANO DO SUL	11-42275339
ITAGUAI	21-26886491	CRICULUMA	48-21015555	SAO CARLOS	16-33614913
ITAOCARA	22-38612740	CURITIBANOS	49-32410081	SAO JOAO DA BOA VISTA	19-36232990
ITAPERUNA	22-38236825	FLORIANOPOLIS	48-32049700	SAO JOSE DO RIO PARDO	19-36085760
MACAE	22-27591358	GAROPABA	48-32544104	SAO JOSE DO RIO PRETO	17-32325680
MAGE	21-26333342	INDAIAL	47-33333275	SAO JOSE DOS CAMPOS	12-39239508
NITEROI	21-2622-0157	ITAJAI	47-33444771	SAO PAULO	11-29791184
NOVA FRIBURGO	22-25227692	JARAGUA DO SUL	47-33722050	SAO PAULO	11-38659897
PETROPOLIS	24-22454997	JOACABA	49-35220418	SAO PAULO	11-22722245
RESENDE	24-33550101	JOINVILLE	47-34331146	SAO PAULO	11-26940101
RIO DE JANEIRO	21-24264702	LAGES	49-32244414	SAO PAULO	11-32077111
RIO DE JANEIRO	21-25892030	LAGUNA	48-36443153	SAO PAULO	11-39757996
RIO DE JANEIRO	21-25096851	MARAVILHA	49-36940052	SAO PAULO	11-22976464
RIO DE JANEIRO	21-24315759	PINHALZINHO	49-33861014	SAO PAULO	11-56679695
RIO DE JANEIRO	21-25714999	PORTO UNIAO	42-35232839	SAO PAULO	11-38751333
RIO DE JANEIRO	21-3381-0711	RIO DO SUL	47-35211230	SAO PAULO	11-38457575
SAO GONCALO	21-27013214	RIO NEGRINHO	47-36440979	SAO PAULO	11-22966122
TERESOPOLIS	21-27439467	SAO MIGUEL DO OESTE	49-36220026	SAO PAULO	11-20713907
TRES RIOS	24-22521388	TUBARAO	48-36261651	SAO PAULO	11-25770899
VOLTA REDONDA	24-33481601	VIDEIRA	49-35680376	SAO PAULO	11-32223211
		XANXERE	49-34333026	SAO ROQUE	11-47125635
<b>RIO GRANDE DO NORTE</b>		<b>SÃO PAULO</b>		SAO VICENTE	13-34646559
CAICO	84-34171844	AGUAS DE LINDOIA	19-38241524	SOROCABA	15-32241170
NATAL	84-32231249	AMERICANA	19-34062914	SUZANO	11-47598671
NATAL	84-32132345	ARACATUBA	19-38072674	TABOAO DA SERRA	11-47871480
PAU DOS FERROS	84-33512334	ARACATUBA	18-36217775	TAQUARITINGA	16-32524039
		ARARAQUARA	16-33368710	TAUBATE	12-36219080
<b>RIO GRANDE DO SUL</b>		ARARAQUARA	16-33368710	TIETE	15-32822452
BAGE	53-32411295	ASSIS	18-33242649	TUPA	14-34962596
BENTO GONCALVES	54-34526825	ATIABAIA	11-44118145	VALINHOS	19-38716629
CAMAQUA	51-36711686	AVARE	14-37322142	VOTUPORANGA	17-34214940
CANELA	54-32821551	BARRETOS	17-32227242		
CARAZINHO	54-33302292	BAURU	14-31049551	<b>SERGEIPE</b>	
CAXIAS DO SUL	54-30211808	BIRIGUI	18-36424011	ARACAJU	79-32176080
DOIS IRMAOS	51-35641286	BOTUCATU	14-38821081	ARACAIANA	79-34313023
ERECIM	54-33211933	CAMPINAS	19-37372500	LAGARTO	79-36312656
ESTANCIA VELHA	51-35612142	CAMPOS DO JORDAO	12-36622142		
FARROUPILHA	54-32853603	CATANDUVA	17-35232524	<b>TOCANTINS</b>	
FLORES DA CUNHA	54-32922625	CERQUILHO	15-32842121	ARAGUAJAINA	63-34111818
FREDERICO WESTPHALEN	55-37441850	CRUZEIRO	12-31433859	GUARAI	63-34641590
GRAVATÁ	51-30422830	DIADEMA	11-440430669	GURUPI	63-33511038
IJUI	55-33327766	DRACENA	18-38212479	PALMAS	63-32175628
LAJEADO	51-37145155	FERNANDOPOLIS	17-34423752		
MARAU	54-33424571	FRANCA	16-37223898		
MONTENEGRO	51-36324187	FRANCO DA ROCHA	11-44492608		
NOVA PRATA	54-32421328	GUARATINGUETA	12-31335030		
NOVO HAMBURGO	51-35823191	GUARUJA	13-33582942		
OSORIO	51-36632524	GUARULHOS	11-24431153		
PASSO FUNDO	54-33311104	IBITINGA	16-33417665		
PELOTAS	53-32223633	INDAIA TUBA	19-38753831		
PORTO ALEGRE	51-32226941	ITAPETININGA	15-32710936		
PORTO ALEGRE	51-33258653	ITAPIRA	19-38633802		
PORTO ALEGRE	51-32258634	ITAPOLIS	16-32622524		
RIO GRANDE	53-32323211	ITAOQUAQUETUBA	11-46404162		
SANTA CRUZ DO SUL	51-37153048	ITARARE	15-35322743		
SANTA MARIA	55-30282235	ITU	11-40230188		
SANTA ROSA	55-35113449	ITUVERAVA	16-37293365		
SAO JOSE DO OURO	54-33521216	JALES	17-36324479		
SOBRADINHO	51-37421409	JAU	14-36222117		
TAPERA	54-33851160	JUNDIAI	11-45862182		
TAQUARI	51-36534390	LEME	19-35713528		
TORRES	51-36641940	LIMEIRA	19-34413179		
TRES DE MAIO	55-35358727	LINS	14-35227283		
URUGUAIANA	55-34118069	MARILIA	14-34547437		
VACARIA	54-32311396	MATAO	16-33821046		
VENANCIO AIRES	51-37411443	MAUA	11-45145233		
VERA CRUZ	51-37161350	MOGI DAS CRUZES	11-47941814		
		MOGI GUACU	19-38181171		
		MOJI MIRIM	19-38624401		
<b>RONDÔNIA</b>		OLIMPIA	17-32805378		
BURITIS	69-32383830	OSASCO	11-36837343		
CACOAL	69-34431415	OURINHOS	14-33225457		
GUAJARA MIRIM	69-35414430	PIRACICABA	19-34304054		
PORTO VELHO	69-32273377	PIRASSUNUNGA	19-35614091		
<b>RORAIMA</b>		PORTO FERREIRA	19-35851891		
BOA VISTA	95-32249605	PRESIDENTE PRUDENTE	18-32225168		
		PROMISSAO	14-35411696		
		REGISTRO	13-38212324		
<b>SANTA CATARINA</b>		RIBEIRAO PRETO	16-36368156		
ARARANGUA	48-35220304	RIBEIRAO PRETO	16-39949808		
BALNEARIO CAMBORIU	47-33630706	RIO CLARO	19-35348543		
BLUMENAU	47-33235987	SALTO	11-40229653		
BRUSQUE	47-33557518	SANTO ANDRE	11-49905288		
CANDINHAS	47-36223615	SANTOS	13-32272947		
CAPINZAL	49-35522666	SAO BERNARDO CAMPO	11-41257000		
CHAPECO	49-33221144				

A lista completa e atualizada dos nossos postos autorizados está disponível no site [www.philips.com.br](http://www.philips.com.br)

v11.09

## CERTIFICADO DE GARANTIA NO BRASIL

Este aparelho é garantido pela Philips do Brasil Ltda., por um período superior ao estabelecido por lei. Porém, para que a garantia tenha validade, é imprescindível que, além deste certificado, seja apresentada a nota fiscal de compra do produto.

**A Philips do Brasil Ltda assegura ao proprietário consumidor deste aparelho as seguintes garantias, a partir da data de entrega do produto, conforme expresso na nota fiscal de compra, que passa a fazer parte deste certificado:**

**Garantia para rádios e reprodutores de CD portáteis**

**(sem caixa acústica destacável): 180 dias**

**Garantia para os demais produtos da marca Philips: 365 dias.**

***Esta garantia perderá sua validade se:***

- O defeito apresentado for ocasionado pelo uso indevido ou em desacordo com o seu manual de instruções.
- O produto for alterado, violado ou consertado por pessoa não autorizada pela Philips.
- O produto for ligado a fonte de energia. (rede elétrica, pilhas, bateria, etc.) de características diferentes das recomendadas no manual de instruções e/ou no produto.
- O número de série que identifica o produto estiver de alguma forma adulterado ou rasurado.

Estão excluídos desta garantia defeitos decorrentes do descumprimento do manual de instruções do produto, de casos fortuitos ou de força maior; bem como aqueles causados por agentes da natureza e acidentes. Excluem-se igualmente desta garantia defeitos decorrentes do uso dos produtos em serviços não doméstico/residencial regular ou em desacordo com o uso recomendado.

**ESTÃO EXCLUÍDAS DA GARANTIA ADICIONAL AS PILHAS OU BATERIAS FORNECIDAS JUNTO COM O CONTROLE REMOTO.**

Nos municípios onde não exista assistência técnica autorizada Philips, as despesas de transporte do aparelho e/ou técnico autorizado correm por conta do consumidor requerente do serviço.

A garantia não será válida se o produto necessitar de modificações ou adaptações para habilitá-lo a operar em qualquer outro país que não aquele para o qual foi designado, fabricado, aprovado e/ou autorizado, ou ter sofrido qualquer dano decorrente deste tipo de modificação.

### **Philips do Brasil Ltda.**

No Brasil, para informações adicionais sobre o produto, entre em contato com o CIC - Centro de Informações ao Consumidor através dos telefones (11) 2121-0203 (Grande São Paulo) e 0800-701-0203 (demais regiões e estados).

Horário de atendimento: de segunda a sexta-feira, das 8h às 20h e sábados das 8h às 13h.

Visite também nossa página de suporte ao consumidor no website [www.philips.com.br/suporte](http://www.philips.com.br/suporte), onde também está disponível a lista completa e atualizada das assistências técnicas autorizadas Philips.

***Para atendimento fora do Brasil, contate a Philips local ou a: Philips Consumer Service  
Beukenlaan 2 - 5651 CD Eindhoven The Netherlands***

