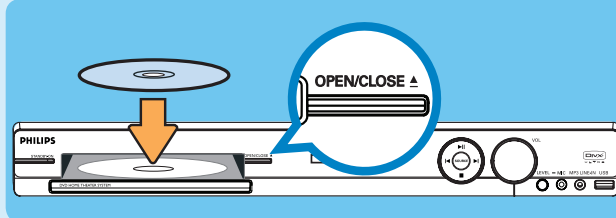


# 3 Enjoy

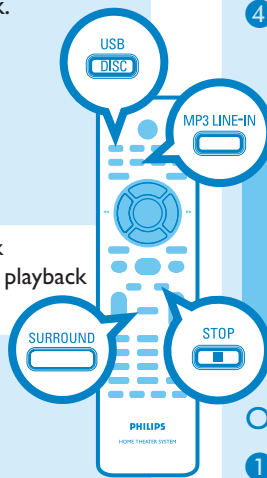
## Start disc playback

- 1 Press **OPEN/CLOSE** to open the disc tray.

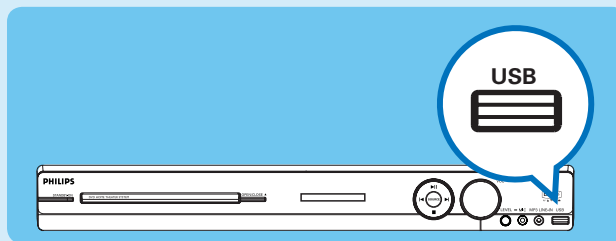


- 2 Place a disc with the disc label facing up.
- 3 Press **OPEN/CLOSE** to close the disc tray.
- 4 Playback starts automatically.
- 5 If the disc menu appears on the TV, use keys or the numeric keypad to select an option in the menu and press **OK** to start playback.
- To enjoy the powerful surround sound from the speakers, press **SURROUND** on the remote control to turn on the multi-channel surround mode.
- 6 Press to stop playback.

**Note** When you press , playback resumes from where it last stopped. To start playback from the beginning, you have to press .

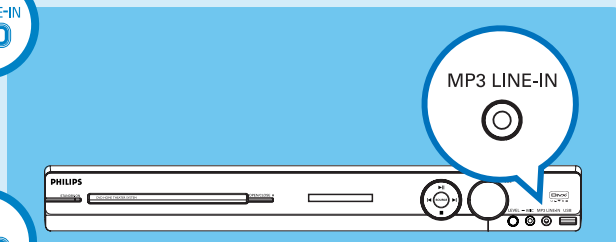


## Playback other supported devices



### USB device

- 1 Insert your USB device to the USB socket.
- 2 Press **DISC/USB** to switch to 'USB' mode.
- 3 Press to start playback.
- 4 To stop playback, press **DISC/USB** to switch to 'DISC' mode. You can unplug your USB device now.



### Other portable audio player

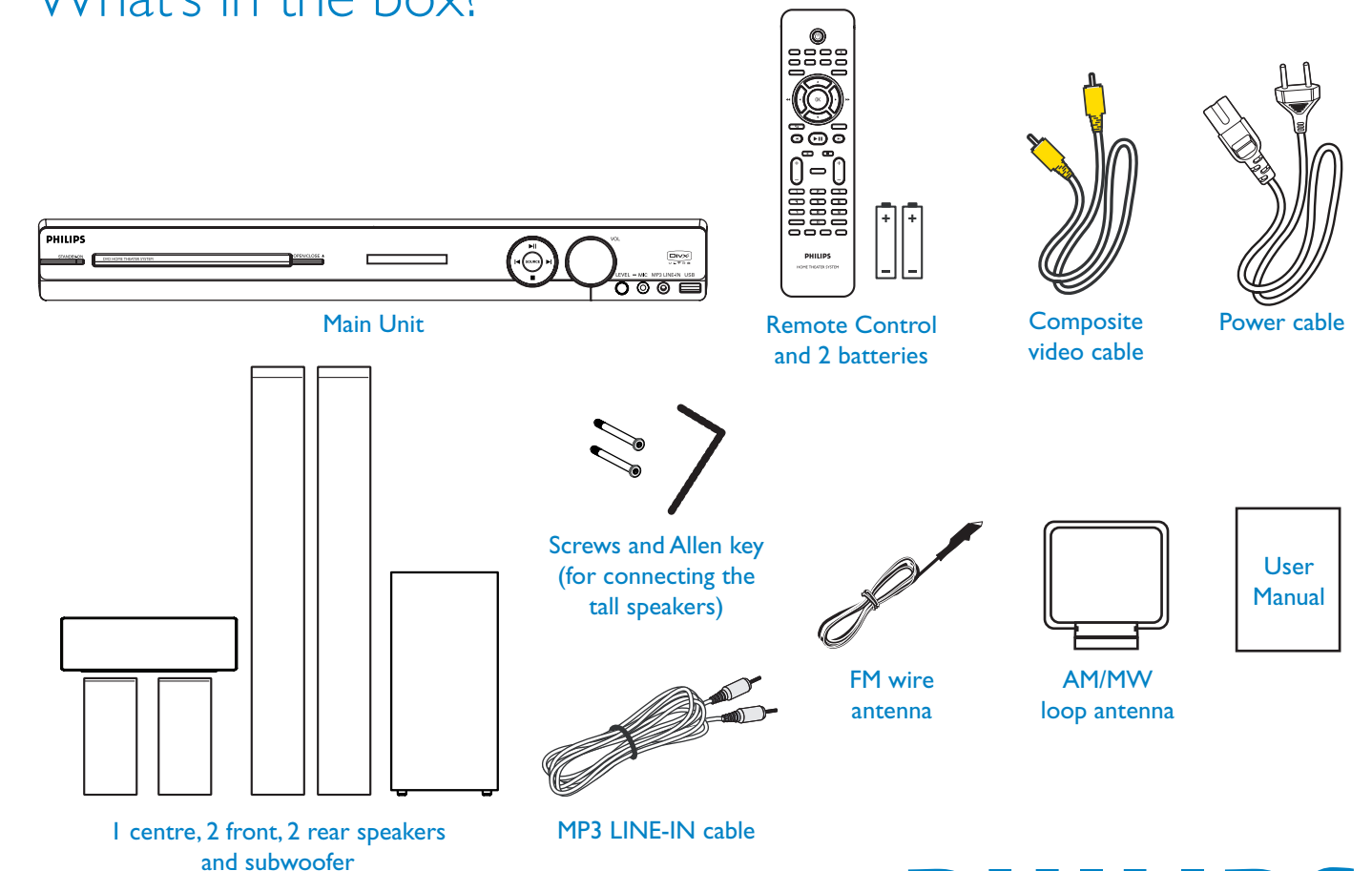
- 1 Use the supplied MP3 LINE-IN cable to connect the headphone output socket on your portable audio player to MP3 LINE-IN socket.
- 2 Press **PLAY** on your portable audio player.
- 3 Press **MP3 LINE-IN** to listen to the playback.

# Quick Start Guide



- 1 Connect
- 2 Set up
- 3 Enjoy

## What's in the box?



### Need help?

**User Manual**  
See the user manual that came with your Philips DVD Home Theatre System.

**Online**  
Go to [www.philips.com/welcome](http://www.philips.com/welcome)



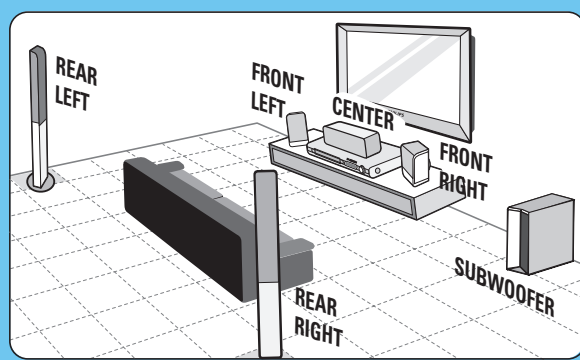
2007 © Koninklijke Philips N.V.  
All rights reserved.  
[www.philips.com](http://www.philips.com)



# 1 Connect

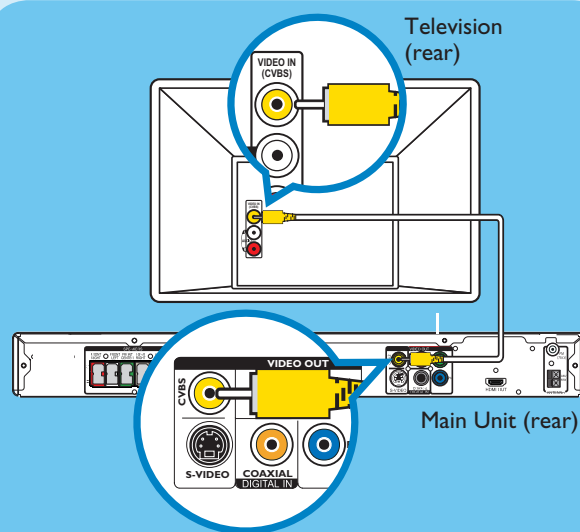
## A Placement

Proper speakers system placement is important to ensure optimum sound performance.



- 1 Place the centre speaker above or close to the TV.
- 2 Place the subwoofer on the floor, at least one metre away from the TV.
- 3 Place the front speakers at equal distances from the TV.
- 4 Place the rear speakers at the back or beside the listening position.

## B Connect the main unit to TV

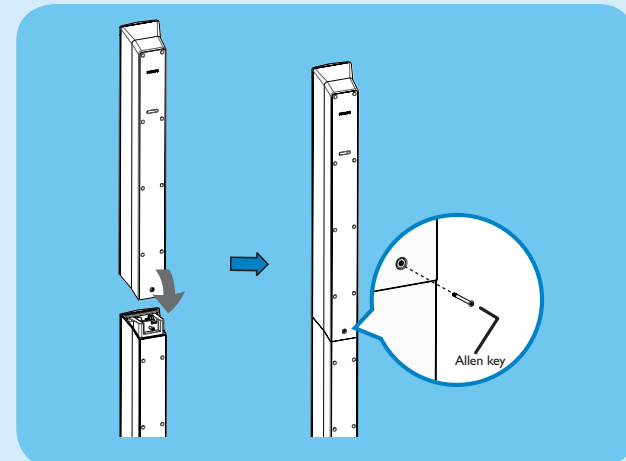


- Connect a composite video cable (supplied) from the CVBS socket on the main unit to the VIDEO IN socket on your TV.

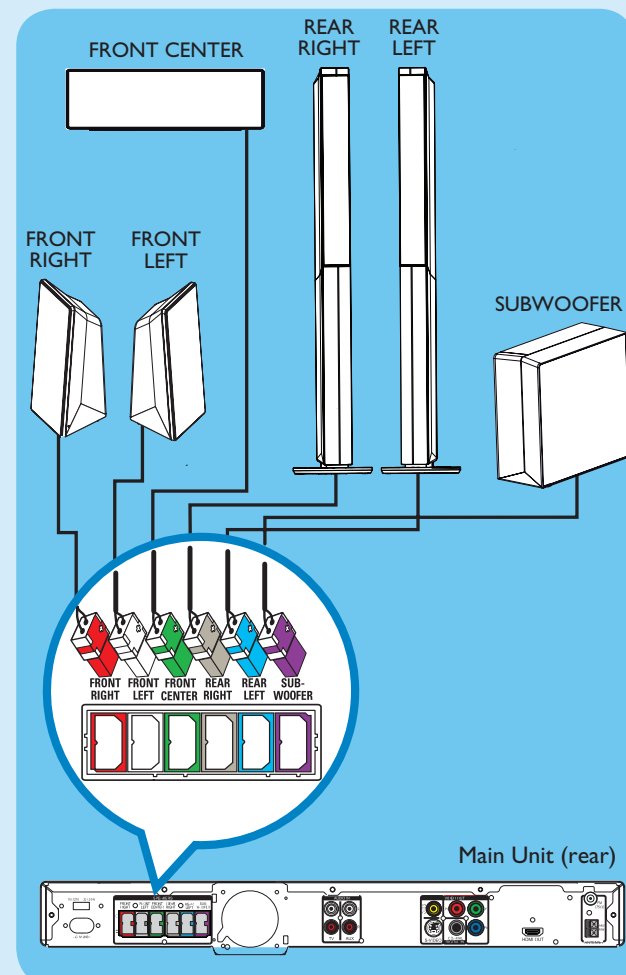
**Note** It is important to connect the main unit directly to your TV.

## C Connect the speakers and subwoofer

- 1 Connect the tall speakers (REAR LEFT/RIGHT), secure it with the supplied screw using the Allen key.



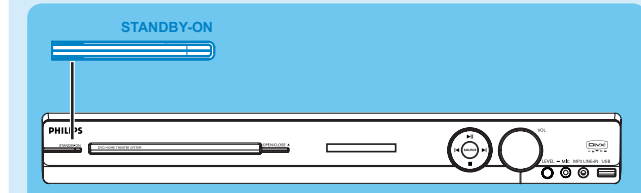
- 2 Connect the various coloured plugs from the speakers and subwoofer to the same coloured sockets at the rear of the main unit.



# 2 Set up

## A Finding the viewing channel

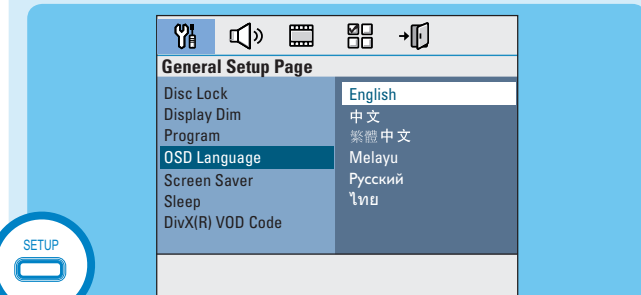
- 1 Press **STANDBY ON** on the main unit to turn it on.
- 2 Turn on the TV. Use the TV's remote control to select the correct viewing channel.



**Note** To search for the correct viewing channel, press the Channel Down button on the TV's remote control repeatedly (or AV, SELECT, **TV** button) until you see the Video In channel.

## B Select the display language on the screen

- 1 Press **SETUP**. The { General Setup Page } appears.



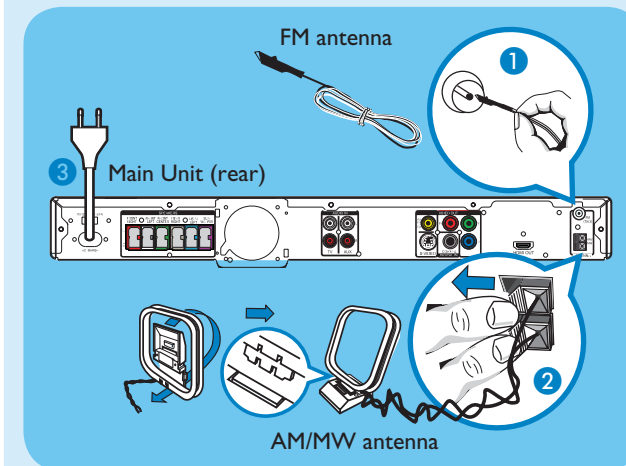
- 2 Press **▼** to select { OSD Language } and press **▶**.
- 3 Use **▼▲** keys to select a language option in the menu and press **OK** to confirm.
- 4 Press **SETUP** to exit.

**Note** The language set here is only for the menus that are shown on the TV while operating this Home Theatre system, not for the DVD disc menu.

There are various setup options (Audio Setup, Video Setup, Preference Setup) available on this Home Theatre System. Refer to the user manual for more information.

## D Connect the radio antennas and power cable

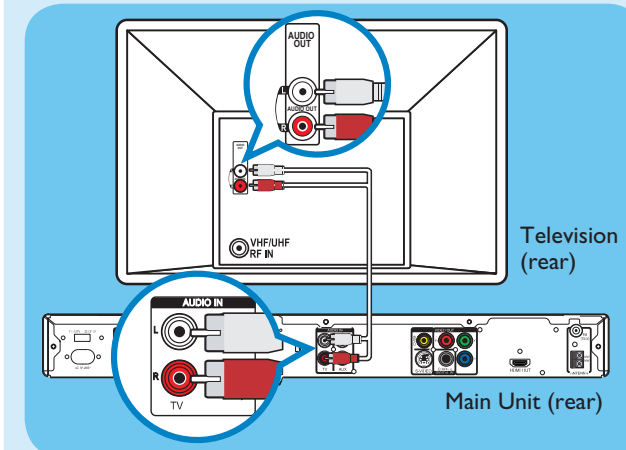
Keep the antennas away from the electronic devices to prevent unwanted interference.



- 1 Connect the FM antenna to the inner pin of the FM 75  $\Omega$  socket. Extend the wire for optimum reception.
- 2 Unfold the AM/MW loop antenna and fix the claw into the slot. Push the tabs and insert the wires into the AM/MW sockets.
- 3 Connect the power cable from the main unit to the AC power outlet.

## E Connect audio output from TV (optional)

To hear the TV audio through this home theatre system, use a red and white audio cables (not supplied) to connect the AUDIO IN-TV sockets on the main unit to the AUDIO OUT sockets on your TV.



**Note** Press **TV** on the remote control to get the sound output from the speakers system when watching the TV programmes.