

Register your product and get support at
www.philips.com/welcome

SPS6060A/17



User manual

PHILIPS

1 Important safety instructions

This manual contains important information about the Philips power strips. Read it carefully before you start the installation and setup.



Warning

- Do not operate your power strip near the rain or wet areas.
- Do not operate your power strip if liquid of any kind is spilled onto or inside the unit.
- Do not disassemble or repair.
- Do not expose your power strip to direct sunlight or place it near wall heaters, space heaters, or enclosed space prone to temperature increase.
- The Philips power strip requires a properly grounded outlet for safety and to protect the connected equipment. If you are not sure whether your home's electrical wiring has proper grounding, consult a qualified electrician.

- Increase the separation between equipment and receiver.
- Connect the equipment into an outlet on a circuit different from that to which the receiver is connected.
- Consult the dealer or an experienced radio/TV technician for help.

Recycling



Your product is designed and manufactured with high quality materials and components, which can be recycled and reused.

Never dispose of your product with other household waste. Please inform yourself about the local rules on the separate collection of electrical and electronic products. The correct disposal of your old product helps prevent potentially negative consequences on the environment and human health.

The packaging of this product is intended to be recycled. Contact your local authorities for information about how to recycle the packaging.



When this logo is attached to a product, it means a financial contribution has been paid to the associated national recovery and recycling system.

© 2012 Koninklijke Philips Electronics N.V. All rights reserved. Reproduction in whole or in part is prohibited without the written consent of the copyright owner. Trademarks are the property of Koninklijke Philips Electronics N.V. or their respective owners.

Notice for USA

This equipment has been tested and found to comply with the limits for a Class B digital device, pursuant to part 15 of the FCC Rules. These limits are designed to provide reasonable protection against harmful interference in a residential installation. This equipment generates, uses and can radiate radio frequency energy and, if not installed and used in accordance with the instruction manual, may cause harmful interference to radio communications.

However, there is no guarantee that interference will not occur in a particular installation. If this equipment does cause harmful interference to radio or television reception, which can be determined by turning the equipment off and on, the user is encouraged to try to correct the interference by one or more of the following measures:

- Relocate the receiving antenna.

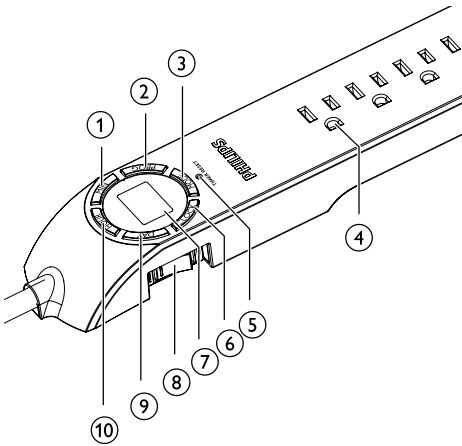
2 Your power strip

Congratulations on your purchase and welcome to Philips!

To fully benefit from the support that Philips offers, register your product at www.philips.com/welcome.

- ⑧ **Circuit breaker**
 - Switch the power strip on or off.
- ⑨ **DAY**
 - Set the day.
- ⑩ **HOUR**
 - Set the hour.

Overview



- ① **MIN**
 - Set the minute.
- ② **PROG**
 - Set the program.
- ③ **MODE**
 - Set a working mode.
- ④ **Outlet**
- ⑤ **TIMERRESET**
 - Erase the programs.
- ⑥ **CLOCK**
 - Set the time.
- ⑦ **Display panel**
 - Show current status.

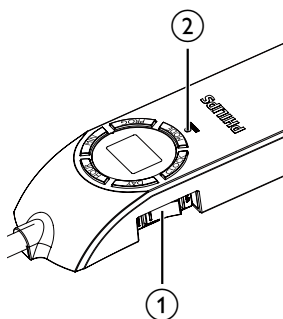
3 Get started



Warning

- To avoid any potential hazard, use the power source supplied by your local authorities.

- 1 Plug the power strip into a properly grounded outlet.
- 2 Plug the electric appliances into the power strip.
- 3 Switch the circuit breaker to **RESET** (①).
- 4 Press **TIMERRESET** to erase the programs before the setup (②).



Tip

- You can use a tiny slim tool to press **TIMERRESET**.
- In case of electrical overload, the circuit breaker will switch to **OFF** automatically to protect your appliances. You can switch to **RESET** to turn it on.

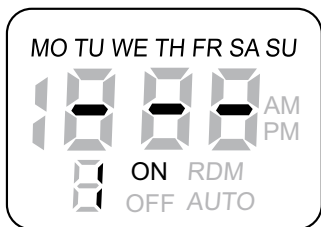
4 Set the time

- 1 Press and hold **CLOCK**, then press **DAY** repeatedly to set the day.
- 2 Press and hold **CLOCK**, then press **HOUR** repeatedly to set the hour.
- 3 Press and hold **CLOCK**, then press **MIN** repeatedly to set the minute.

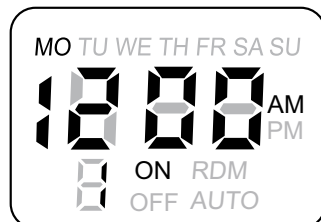
5 Set the program

You can set programs to control the electric appliances with this power strip.

- 1 Press **PROG**, the following is displayed.



- 2 Press **DAY** repeatedly to select the desired day on which the output turns on.
- 3 Press **HOUR** and **MIN** repeatedly to select the desired time when the output turns on.
- 4 Press **PROG** again to confirm the setting.



- 5 Repeat step 2 to step 4 to select the desired day and time when the output turns off.



- 6 Repeat step 1 to step 5 to set more programs.

- 7 Press **CLOCK** to quit the program setting.
 - ↳ The programs are saved.
 - ↳ The current time is displayed.

Tip

- At most seven programs can be preset by all days of the weeks, any single day of the week weekdays only or weekends only. The saved programs take effect at the same time.
- In case one program contradicts another one, the **OFF** program will be prior to take effect. For instance, Program 1 is **OFF** from 08:00 to 17:00 on **SA SU**, while Program 2 is **ON** from 00:00 to 24:00 on **SA**, then the outlets will be off on **SA** from 08:00 to 17:00.

Review the program

- 1 Press **PROG** repeatedly to check each program.
- 2 Press **CLOCK** to quit the program review.

Cancel the program

- 1 Press **PROG** repeatedly to locate the program you want to cancel.
- 2 Press and hold **MODE**, and press **PROG** to cancel the program.

6 Select the mode

Press **MODE** repeatedly to select a working mode of the power strip:

- **AUTO**: the outlets are controlled by the saved programs automatically.
- **RDM**: the outlets are controlled by the saved programs, randomly within 30 minutes before or after the programmed times.
- **ON**: the outlets are always on.
- **OFF**: the outlets are always off.

7 Limited warranty

Philips, Inc. ("Philips") provides one or both of the following warranties (Surge Protector Limited Warranty and Connected Equipment Limited Warranty) to the original consumer of surge protectors sold under the Philips brand names.

These warranties apply only to natural purchasers of surge protectors for personal, family or household use, not to commercial, institutional or industrial purchasers. These warranties are valid only in US.

Except as provided in Connected Equipment Limited Warranty (if applicable), in no event shall Philips be liable for any direct, indirect, incidental, special, consequential or multiple damage arising out of the use of the use of Philips surge protector.

Limited One-Year Warranty

Philips warrants that this product shall be free from defects in material, workmanship and assembly, under normal use, in accordance with the specifications and warnings, for a period of one year from the date of purchase.

This warranty does not cover damages (a) as a result of an accident; (b) resulting from the use of parts not manufactured or sold by Philips; (c) or resulting from modification of the surge protector. After any repair or modification of the surge protector by a facility not authorized by Philips, any problems that arise will not be remedied under this warranty.

These warranties extend only to the original purchaser of the product, and are not transferable. To exercise your rights under this warranty, you must provide proof of purchase in the form of an original sales receipt that shows the product name and the date of purchase.

For customer support or to obtain warranty service, please visit our website www.philips.com/support. There are no other express or implied warranties. Philips' liability is limited to repair or, at its sole option, replacement of the product. Incidental, special and consequential damages are disclaimed where permitted by law. This warranty gives you specific legal rights. You may also have other rights that vary from state to state.

Caution

- Risk of electrical shock! Not for use outdoors or in other wet or damp areas, with aquariums, in hazardous environments requiring failsafe performance (such as nuclear facilities or aircraft), or for medical or life support equipment.

