



Philips
Headphones with mic

32mm drivers/closed-back
On-ear

SHL3095WT

Rich bass

DJ style monitoring headphones with mic

This DJ inspired headphone creates powerful sound and bass. Designed with rotating and soft cushioned earshells, you will get a perfect listening experience on the go.

Perfect listening experience

- 32mm speaker drivers for powerful and dynamic sound
- Closed type acoustics provide good sound isolation

Comfortable for long use

- Adjustable earshells and headband adapts to fit your head
- Soft breathable ear cushions for long listening sessions

Convenience

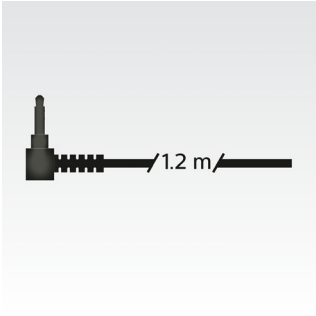
- 1.2m cable for freedom of music enjoyment on the go
- compact, fold flat design for easy storage on the go
- In-line mic and pick up button for easy handsfree calls

PHILIPS

Headphones with mic
32mm drivers/closed-back On-ear

Highlights

1.2m long cable



1.2m cable for freedom of music enjoyment on the go

32mm speaker driver



32mm high-powered drivers deliver clear, detailed and natural sound.

Adjustable earshells, headband



Adjustable earshells and headband adapts to fit your head

Closed type acoustic



Closed type acoustics provide good sound isolation, blocking out ambient noise

Compact and fold flat

Made to give you the best experience on the go, these DJ monitoring style headphones can be folded away for perfect portability and easy storage.

In-line mic and pick up button



In-line mic and pick up button for easy handsfree calls

Soft ear cushions



Soft breathable ear cushions for long listening sessions

SHL3095WT/94

Specifications

Packaging dimensions

- Packaging dimensions (W x H x D): 19.5 x 22.2 x 4.5 cm
- Packaging dimensions (W x H x D): 7.7 x 8.7 x 1.8 inch
- Nett weight: 0.125 kg
- Nett weight: 0.276 lb
- Gross weight: 0.227 kg
- Gross weight: 0.500 lb
- Tare weight: 0.102 kg
- Tare weight: 0.225 lb
- EAN: 69 25970 70790 9
- Number of products included: 1
- Packaging type: Blister
- Type of shelf placement: Both

Outer Carton

- Outer carton (L x W x H): 29.7 x 21 x 25.5 cm
- Outer carton (L x W x H): 11.7 x 8.3 x 10.0 inch
- Nett weight: 0.75 kg
- Nett weight: 1.653 lb
- Gross weight: 1.66 kg
- Gross weight: 3.660 lb
- Tare weight: 0.91 kg
- Tare weight: 2.006 lb
- GTIN: 1 69 25970 70790 6
- Number of consumer packagings: 6

Sound

- Acoustic system: closed
- Frequency response: 10 - 22,000 Hz
- Impedance: 24 Ohm
- Magnet type: Neodymium
- Maximum power input: 1000 mW
- Sensitivity: 106 dB
- Speaker diameter: 32 mm
- Diaphragm: PET
- Type: Dynamic

Connectivity

- Cable length: 1.2 m
- Cable Connection: two-sided
- Connector: 3.5 mm



Issue date 2016-08-16

Version: 1.0.4

12 NC: 8670 001 31305
EAN: 69 25970 70790 9

© 2016 Koninklijke Philips N.V.
All Rights reserved.

Specifications are subject to change without notice.
Trademarks are the property of Koninklijke Philips N.V.
or their respective owners.

www.philips.com