

Always there to help you

Register your product and get support at
www.philips.com/support

AJ6200DBZ



User manual

PHILIPS

Contents

1	Important	2
----------	------------------	----------

2	Your clock radio	3
	Introduction	3
	What's in the box	3
	Overview of the clock radio	4

3	Get started	6
	Install battery	6
	Connect power	6
	Set time	6
	Turn on	7

4	Play from iPod/iPhone	8
	Compatible iPod/iPhone	8
	Listen to audio from iPod/iPhone	8
	Charge the iPod/iPhone	8

5	Listen to FM radio	9
	Tune to FM radio stations	9
	Store FM radio stations automatically	9
	Store FM radio stations manually	9
	Select a preset radio station	9

6	Other features	10
	Set alarm timer	10
	Set sleep timer	11
	Play audio from an external device	11
	Adjust volume	11
	Adjust display brightness	11

7	Product information	12
	Specifications	12

8	Troubleshooting	13
----------	------------------------	-----------

9	Notice	14
----------	---------------	-----------

1 Important



Warning

- Never remove the casing of this product.
 - Never lubricate any part of this product.
 - Never place this product on other electrical equipment.
 - Keep this product away from direct sunlight, naked flames or heat.
 - Make sure that you always have easy access to the power cord, plug or adaptor to disconnect the product from the power.
-
- Make sure that there is enough free space around the product for ventilation.
 - The product shall not be exposed to dripping or splashing.
 - Do not place any sources of danger on the product (e.g. liquid filled objects, lighted candles).
 - Where the plug of the Direct Plug-in Adapter is used as the disconnect device, the disconnect device shall remain readily operable.
 - Only use power supplies listed in the user manual.
 - Battery usage CAUTION – To prevent battery leakage which may result in bodily injury, property damage, or damage to the product:
 - Install all batteries correctly, + and - as marked on the unit.
 - Do not mix batteries (old and new or carbon and alkaline, etc.).
 - Remove batteries when the unit is not used for a long time.
 - The batteries should not be exposed to excessive heat such as sunshine fire or the like.



Note

- The type plate is located on the bottom of the apparatus.

2 Your clock radio

Congratulations on your purchase, and welcome to Philips! To fully benefit from the support that Philips offers, register your product at www.philips.com/welcome.

Introduction

With this clock radio, you can:

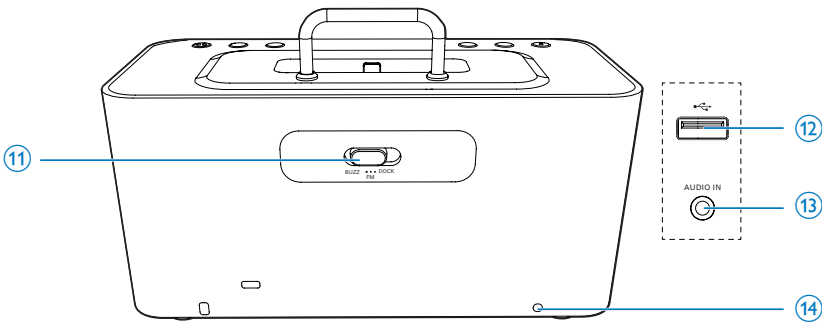
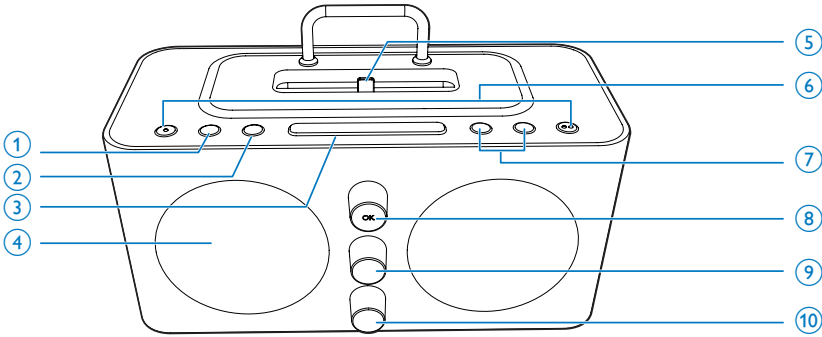
- play audio from iPod/iPhone, or other external devices;
- listen to FM radio;
- view time; and
- set two alarms.

What's in the box

Check and identify the contents of your package:

- Clock radio
- Short user manual

Overview of the clock radio



① SOURCE

- Select an audio source: **DOCK**, **FM**, or **AUDIO IN**.
- Switch to standby mode.

② SLEEP

- Set sleep timer.

③ SNOOZE/BRIGHTNESS

- Snooze the alarm.
- Adjust display brightness.

④ Display panel

- Show current information.

⑤ Dock for iPod/iPhone

⑥ AL1/AL2

- View alarm settings.
- Activate or deactivate alarm timer.

⑦ VOLUME +/-

- Adjust volume.

⑧ First knob (HOUR/PRESET/OK)


- Adjust hour.
- Select a preset radio station.
- Store radio stations automatically.
- Confirm a selection.

⑨ Second knob (MINUTE/TUNING)

- Adjust minute.
- Tune to FM radio stations.
- Skip to the previous or next track.

- ⑩ **Third knob (SET TIME/SET RADIO/CLOCK/SET AL1/SET AL2)**
 - Set time.
 - Scan/store FM radio stations.
 - Set alarm.

- ⑪ **ALARM (BUZZ/FM/DOCK)**
 - Select an alarm source for Alarm 1 and Alarm 2.

- ⑫ 
 - Charge your iPod/iPhone through a USB cable (not supplied).

- ⑬ **AUDIO IN**
 - Connect an external audio device.

- ⑭ **FM ANT**
 - Improve FM reception.

3 Get started

Always follow the instructions in this chapter in sequence.

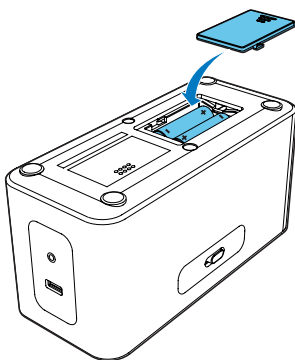
Install battery

! Caution

- Batteries contain chemical substances, so they should be disposed of properly.

☰ Note

- Batteries are not supplied with the accessories.
- [bAt] is displayed when the battery level is low.
- Batteries can back up clock and alarm settings when AC power is disconnected.



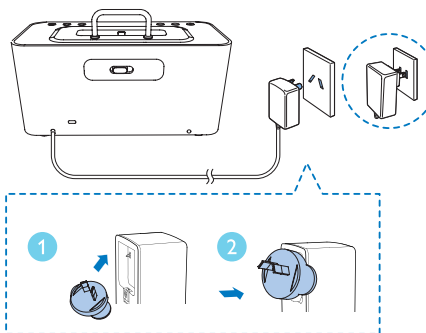
- 1 Open the battery compartment.
- 2 Insert two AA batteries with correct polarity (+/-) as indicated.
- 3 Close the battery compartment.

Connect power

! Warning

- Risk of product damage! Make sure that the power supply voltage corresponds to the voltage printed on the back or the underside of the unit.
- Risk of electric shock! When you disconnect the AC power, always pull the plug from the socket. Never pull the cord.

Connect the AC power adapter to the wall socket.



Set time

- 1 In standby mode, rotate the third knob to **SET TIME** to activate clock setting mode.
↳ The hour and minute digits blink.
- 2 Rotate the first knob to adjust the hour.
- 3 Rotate the second knob to adjust the minute.
- 4 Press **OK** on the first knob to confirm.
↳ The set time is displayed.
- 5 Rotate the third knob to **CLOCK** after setting.
↳ The hour and minute digits stops blinking.

☰ Note

- When an iPod/iPhone is connected, the clock radio synchronizes time from the iPod/iPhone automatically.

Turn on

Once connected to AC power, the clock radio turns on automatically.

Switch to standby mode

Press and hold **SOURCE** for three seconds to switch to standby mode.

- ↳ The source indicator disappears on the display panel.

4 Play from iPod/iPhone

You can enjoy audio from iPod/iPhone through this clock radio.

Compatible iPod/iPhone

The clock radio supports these iPod and iPhone models:

Made for:

- iPod touch (5th generation)
- iPod nano (7th generation)
- iPhone 6 Plus
- iPhone 6
- iPhone 5s
- iPhone 5c
- iPhone 5

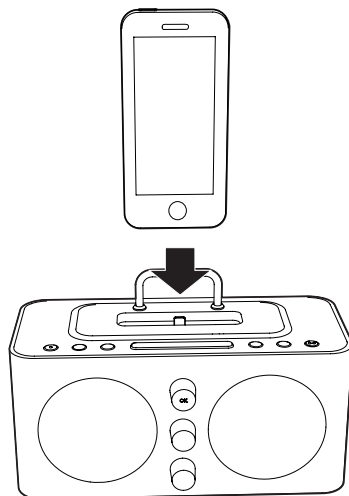
Listen to audio from iPod/iPhone




Note

- Make sure that the third knob is switched to **CLOCK** before setting.

- 1 Place the iPod/iPhone in the dock.



- 2 Press **SOURCE** repeatedly to select iPod/iPhone mode.
↳ The icon  is displayed.
- 3 Play audio on the iPod/iPhone.
- 4 Rotate the second knob to select the previous or next track.

To remove the iPod/iPhone:

Pull the iPod/iPhone out of the dock.

Charge the iPod/iPhone


When the clock radio is connected to power, the docked iPod/iPhone starts charging.

5 Listen to FM radio

Tune to FM radio stations

Note

- Make sure that the third knob is switched to **CLOCK** before setting.

- 1 Press **SOURCE** repeatedly to select FM tuner source.
↳ The icon  is displayed.
- 2 Rotate and hold the second knob for two seconds.
↳ The clock radio tunes to a station with strong reception automatically.
- 3 Repeat step 2 to tune to more radio stations.


To tune to a station manually:

Rotate the second knob repeatedly until you find optimal reception.

Tip

- Position the antenna as far as possible from any radiation source.
- For better reception, fully extend and adjust the position of the antenna.

Store FM radio stations automatically


- 1 In FM mode, rotate the third knob to **SET RADIO**.
↳  begins to blink.

- 2 Press and hold **OK** on the first knob for three seconds.
↳ The clock radio stores all the available FM radio stations, and broadcasts the first available station automatically.
- 3 Rotate the third knob to **CLOCK** after storing.

Store FM radio stations manually

Note

- You can store a maximum of 20 FM radio stations.

- 1 In FM mode, rotate the third knob to **SET RADIO**.
↳  begins to blink.
- 2 Rotate and hold the second knob for two seconds.
↳ The last selected channel is displayed.
- 3 Rotate the first knob again to select a number.
- 4 Press **OK** on the first knob to confirm.
- 5 Repeat steps 2-4 to store other stations.
- 6 Rotate the third knob to **CLOCK** after storing.

Tip

- To remove a pre-stored station, store another station in its place.

Select a preset radio station

Note

- Make sure that the third knob is switched to **CLOCK** before setting.

In FM mode, rotate the first knob repeatedly to select a preset radio station.



6 Other features

Set alarm timer

In standby mode, you can set two alarms to ring at different time.

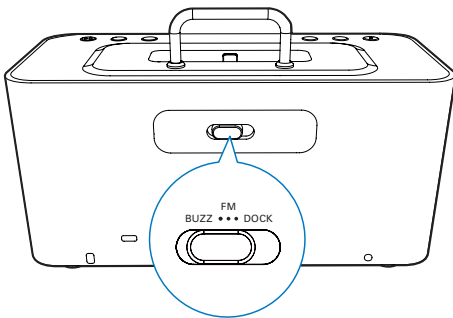
Note

- Make sure that you have set the clock correctly.

- 1 Rotate the third knob to **SET AL1** or **SET AL2** to activate alarm setting mode.
↳ The icon  /  and time digits blink.
- 2 Rotate the first knob to adjust the hour.
- 3 Rotate the second knob to adjust the minute.
- 4 Press **OK** on first knob to confirm.
- 5 Rotate the third knob to **CLOCK** after setting.

Select alarm source

For the alarm sound, you can select buzzer, your last listened radio channel, or the latest played audio on your iPod/iPhone.







Tip

- If **DOCK** is selected as the alarm source, yet the audio cannot be played, buzzer will sound instead when alarm time comes.
- If **FM** is selected as the alarm source, yet the clock radio is in **FM** mode, buzzer will sound instead when alarm time comes.

Activate/deactivate alarm timer

Note

- Make sure that the third knob is switched to **CLOCK** before setting.

- 1 Press **AL1/AL2** to view alarm settings.
↳ The icon  /  is displayed.
- 2 Press **AL1/AL2** again to activate or deactivate the alarm timer.
↳ The icon  /  appears if the alarm timer is on, and disappears if it is off.
 - To stop the alarm, press the corresponding **AL1/AL2**.
↳ The alarm repeats ringing for the next day.

Snooze the alarm

When alarm sounds, press **SNOOZE**.

- ↳ The alarm snoozes and repeats ringing nine minutes later.

Set sleep timer

Note

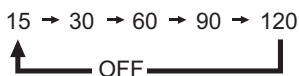
- Make sure that the third knob is switched to **CLOCK** before setting.

This clock radio can switch to standby mode automatically after a preset period.

- Press **SLEEP** repeatedly to select the sleep timer period (in minutes).
 - ↳ When the sleep timer is activated, **zZ** appears.

To deactivate the sleep timer:

- Press **SLEEP** repeatedly until **[OFF]** (off) appears.

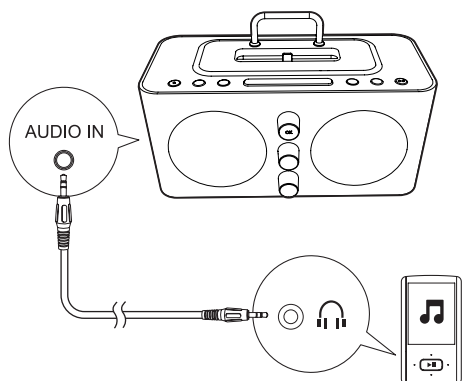



Play audio from an external device

You can listen to audio from an external device through this clock radio.

Note

- Make sure that the third knob is switched to **CLOCK** before setting.

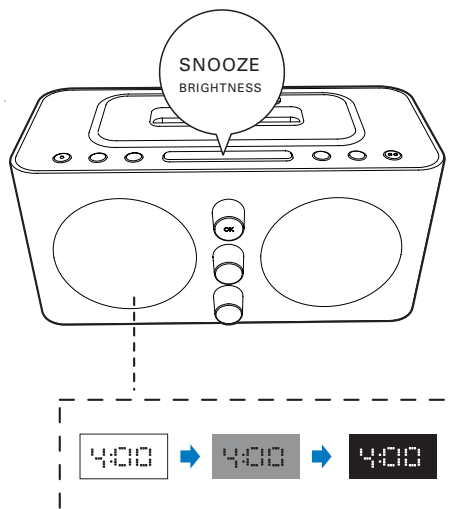


- 1 Connect an audio input cable (not supplied) with a 3.5 mm connector on both ends to
 - the **AUDIO IN** socket on the clock radio.
 - the headphone socket on an external device.
- 2 Press **SOURCE** repeatedly to select the Audio-in source.
 - ↳ The icon  is displayed.
- 3 Play the external device (refer to its user manual).

Adjust volume

During play, press **VOLUME +/-** repeatedly to adjust volume.

Adjust display brightness



7 Product information



Note

- Product information is subject to change without prior notice.

Specifications

Amplifier

Rated Output Power	5W RMS
--------------------	--------

Tuner

Tuning Range	FM: 87.5 - 108 MHz
Sensitivity - Mono, 26dB S/N Ratio	FM: <22 dBf
Search Selectivity	FM: <35 dBf
Total Harmonic Distortion	FM: <2 %
Signal to Noise Ratio	FM: >50 dB
Number of Presets	20

Speaker

Speaker Impedance	8 ohm
Speaker Driver	1 X 2.5" full range
Sensitivity	85± 3dB/m/W

General information

AC power	Model: AS190-090-AD160;
	Brand name: PHILIPS;
	Input: 100-240 V~, 50/60 Hz, 0.7 A;
	Output: 9V \equiv 1.6 A;
Battery	2 X AA batteries (not supplied)
Operation Power Consumption	<15 W
Standby Power Consumption	<1 W
USB Charging	5 V, 1 A
Dimensions - Main Unit (W x H x D)	195 x 99 x 123 mm
Weight - Main Unit	0.79 kg

8 Troubleshooting



Warning

- Never remove the casing of this device.

To keep the warranty valid, never try to repair the system yourself.

If you encounter problems when using this device, check the following points before requesting service. If the problem remains unsolved, go to the Philips Web page (www.philips.com/support). When you contact Philips, make sure that the device is nearby and the model number and serial number are available.

No power

- Make sure that the AC power plug of the unit is connected properly.
- Make sure that there is power at the AC outlet.

No response from the clock radio

- Disconnect and reconnect the AC power plug, then turn on the clock radio again.

Poor radio reception

- Keep the clock radio away from other electronic devices to avoid radio interference.
- Fully extend and adjust the position of the FM antenna.

Alarm does not work

- Set the clock/alarm correctly.

Clock/alarm setting erased

- Power has been interrupted or the power plug has been disconnected.
- Reset the clock/alarm.

9 Notice

Any changes or modifications made to this device that are not expressly approved by Gibson Innovations may void the user's authority to operate the equipment.

Care of the environment

Disposal of your old product



Your product is designed and manufactured with high quality materials and components, which can be recycled and reused.

Do not throw away the product with the normal household waste at the end of its life, but hand it in at an official collection point or recycling. By doing this, you help to preserve the environment.

Environmental information

All unnecessary packaging has been omitted. We have tried to make the packaging easy to separate into three materials: cardboard (box), polystyrene foam (buffer) and polyethylene (bags, protective foam sheet.)

Your system consists of materials which can be recycled and reused if disassembled by a specialized company. Please observe the local regulations regarding the disposal of packaging materials, exhausted batteries and old equipment.



"Made for iPod" and "Made for iPhone" mean that an electronic accessory has been designed to connect specifically to iPod or iPhone respectively, and has been certified by the developer to meet Apple performance standards. Apple is not responsible for the operation of this device or its compliance with safety and regulatory standards. Please note that the use of this accessory with iPod or iPhone may affect wireless performance. iPod and iPhone are trademarks of Apple Inc., registered in the U.S. and other countries.

Note

- The type plate is located on the bottom of the apparatus.



Specifications are subject to change without notice.

2015 © Gibson Innovations Limited. All rights reserved.

This product has been manufactured by, and is sold under the responsibility of Gibson Innovations Ltd., and Gibson Innovations Ltd. is the warrantor in relation to this product.

Philips and the Philips Shield Emblem are registered trademarks of Koninklijke Philips N.V. and are used under license from Koninklijke Philips N.V.

