



Philips
Headphones

32mm drivers/closed-back
On-ear

SHL3160RD

Dynamic and solid bass

DJ style monitoring headphones

This DJ inspired headphone provides you powerful sound and bass. Designed with rotating and soft cushioned earshells, you will get a perfect listening experience on the go.

Comfortable for long use

- Adjustable earshells and headband adapts to fit your head
- Soft breathable ear cushions for long listening sessions

Perfect listening experience

- 32mm speaker drivers for powerful and dynamic sound
- Closed type acoustics provide good sound isolation

Convenience

- 1.2m cable for freedom of music enjoyment on the go
- compact, fold flat design for easy storage on the go

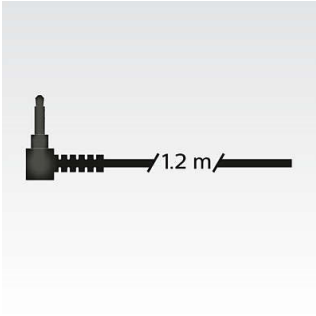
PHILIPS

Headphones
32mm drivers/closed-back On-ear

SHL3160RD/00

Highlights

1.2m long cable



1.2m cable for freedom of music enjoyment on the go

32mm speaker driver



32mm high-powered drivers deliver clear, detailed and natural sound.

Adjustable earshells, headband



Adjustable earshells and headband adapts to fit your head

Closed type acoustic



Closed type acoustics provide good sound isolation, blocking out ambient noise

Compact and fold flat

Made to give you the best experience on the go, these DJ monitoring style headphones can be folded away for perfect portability and easy storage.

Soft ear cushions



Soft breathable ear cushions for long listening sessions

Specifications

Sound

- Acoustic system: closed
- Frequency response: 8 - 22,000 Hz
- Speaker diameter: 32 mm
- Diaphragm: PET
- Impedance: 24 Ohm
- Magnet type: Neodymium
- Type: Dynamic
- Maximum power input: 1500 mW
- Sensitivity: 107 dB

Connectivity

- Cable length: 1.2 m
- Cable Connection: two-sided
- Connector: 3.5 mm

Design

- Color: Red



Issue date 2024-03-08

Version: 2.1.3

EAN: 69 25970 70090 0

© 2024 Koninklijke Philips N.V.
All Rights reserved.

Specifications are subject to change without notice.
Trademarks are the property of Koninklijke Philips N.V.
or their respective owners.

www.philips.com