



AZ1302



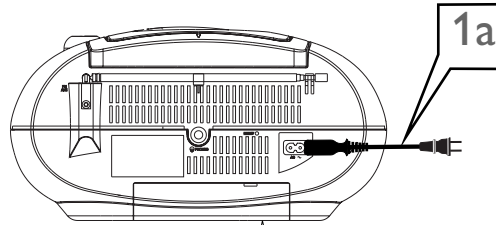
PHILIPS

1 Choosing Power Supply

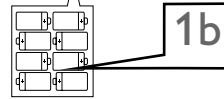
a Connect the AC power cord to the AC ~ inlet and the wall socket.

-OR-

b Open the battery door and insert 8 x C batteries (not included).



R-14, UM-2 or C-cells (not included)



2 Listening to the Radio

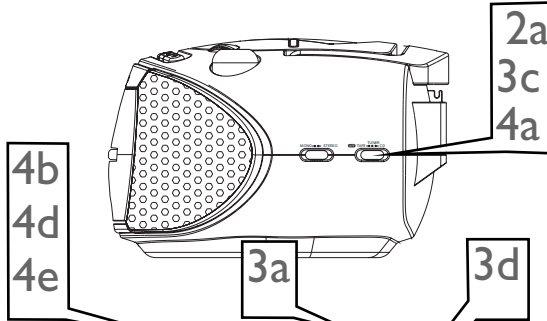
a Push the source selector to TUNER.

b Press STOP/BAND ■ to select FM or MW.

c Press and hold PROG until the frequency flashes.

• Available stations are programmed (FM or MW).

d Press ALBUM/PRESET -, + once or more until the desired preset station is displayed.



3 Playing a disc

This player plays Audio Discs including CD-R/CD-RW, and MP3-CD.

IMPORTANT: For a disc with CD Audio tracks and MP3 files, only the CD audio tracks will be played.

a Lift the CD door at LIFT TO OPEN.

b Insert a CD with the printed facing up and press the CD door gently.

c Adjust the source selector to CD.

d Press ►|| to start playback.

e To stop disc playback, press ■.

4 Playing a tape

a Adjust the source selector to TAPE/OFF.

b Press ■▲ to open the cassette holder.

c Insert a cassette and close the door.

d Press ◀ to start playback.

e To stop the tape, press ■▲.

VOLUME

Turn to adjust volume level.

CASSETTE RECORDER keys

Press to operate a tape.

MONO•STEREO

Slide to select mono or stereo FM reception

Source selector

Slide to select functions: CD, TUNER or OFF.

Telescopic antenna

Improve FM reception.

DBB

Press to turn the bass enhancement on/off.

PROG

Use to program CD tracks or preset radio stations.

ALBUM/ PRESET - MP3 only: Press to select an album (down); **TUNER:** Press to select a preset radio station (down)

SEARCH ◀◀ ▶▶

Skip & search CD tracks backwards/ forwards; Tunes to radio stations (down/up).

STOP/BAND ■

Press to stop CD playback or erase a CD program.; Press to select wavebands.

LIFT TO OPEN

Lift here to open the CD door.

Display

Shows the status of the set

ALBUM/ PRESET + MP3 only:

Press to select an album (up); **TUNER:** Press to select a preset radio station (up)

MODE

Press to select different play modes, such as REPEAT or RANDOM

►||

Press to start or pause CD playback.

REMOTE CONTROL

Insert 2 batteries, type AA, R06 or UM3 (not included)

