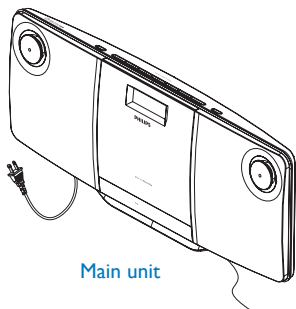
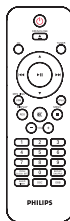


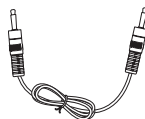
Quick Start Guide



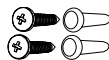
Main unit



Remote Control



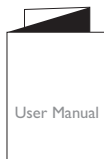
1 x MP3 link cable



Mounting kit



Wall mounting instructions

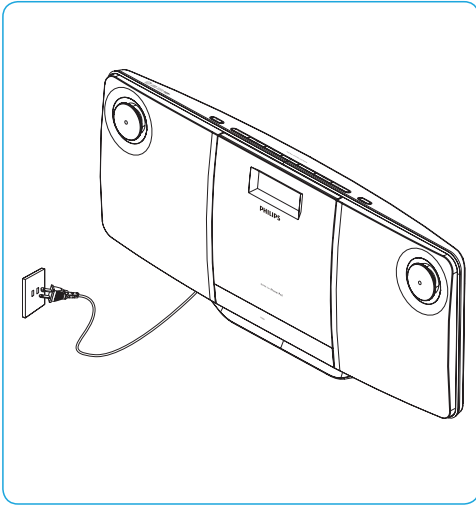


User Manual

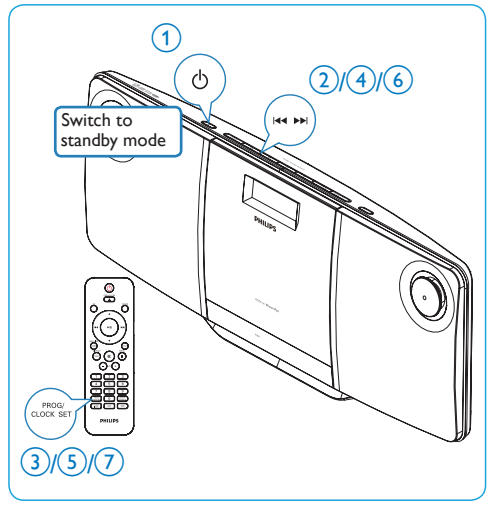


Quick Start Guide

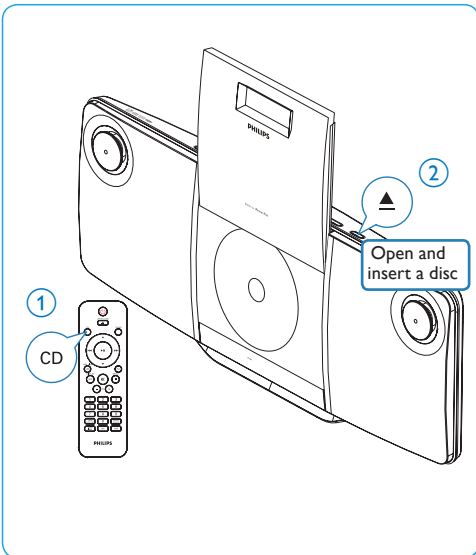
A Connect



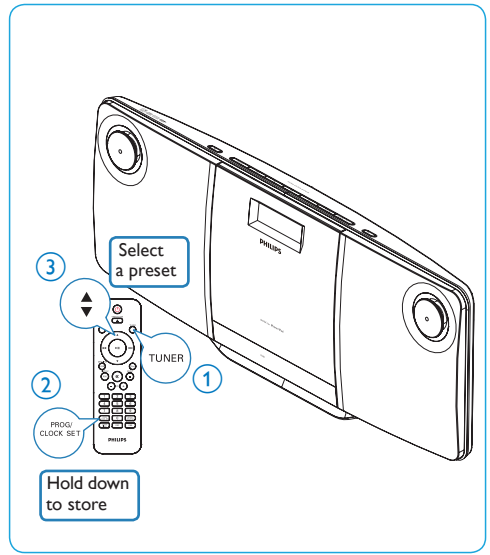
B Set clock



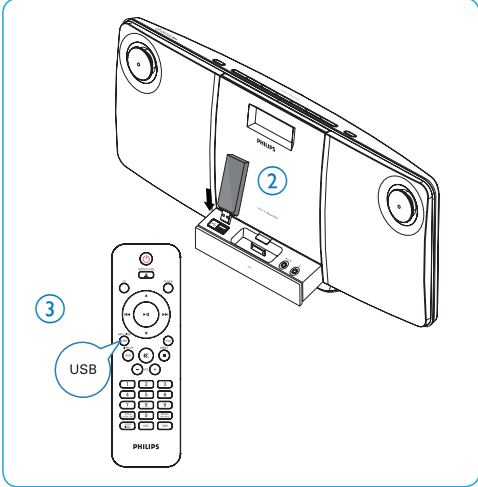
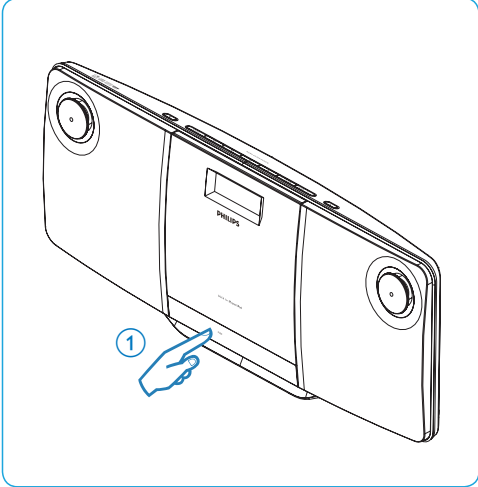
C Play disc



D Listen to radio



E Play from USB



F Play from iPod/iPhone

