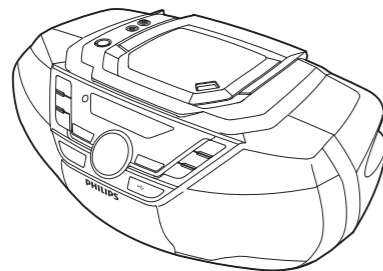


PHILIPS

CD soundmachine

AZB790

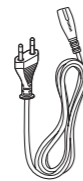
Quick Start Guide



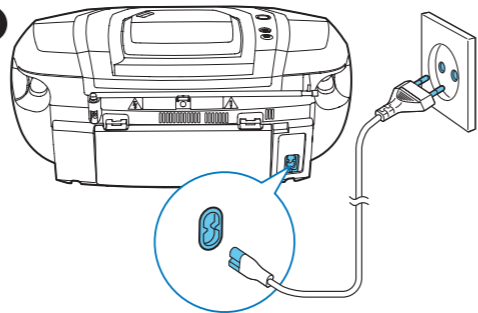
1



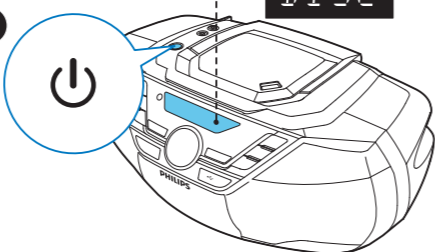
2



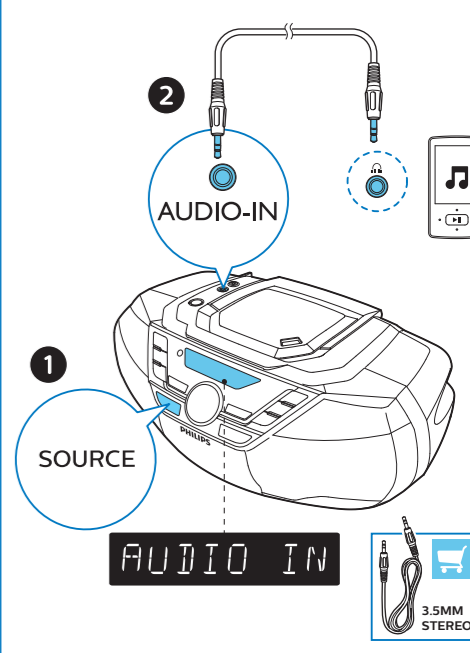
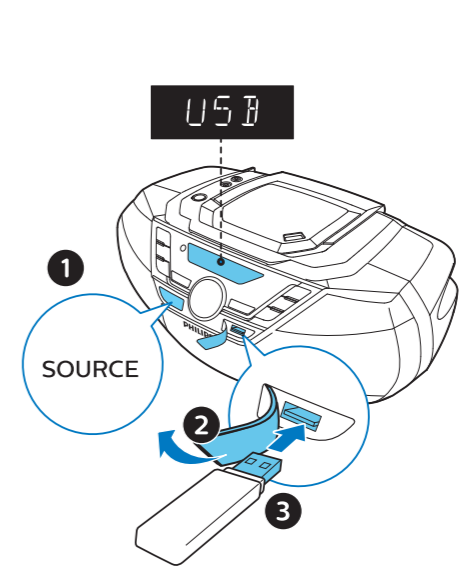
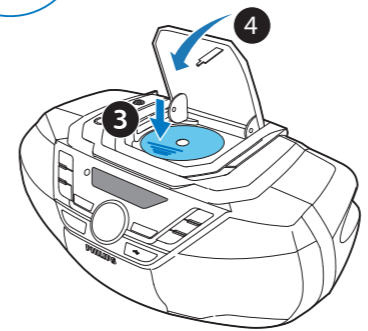
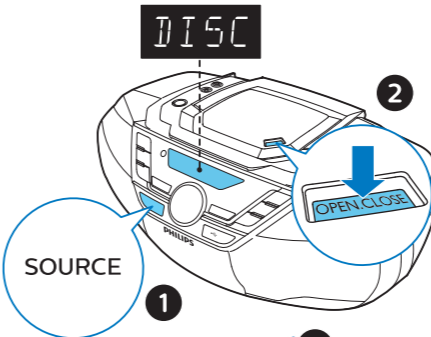
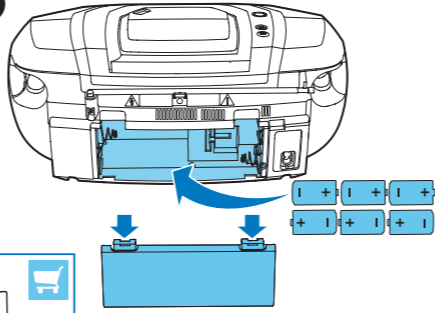
1

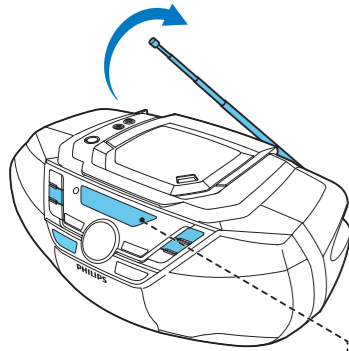


2

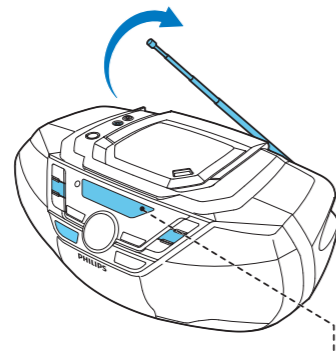


1





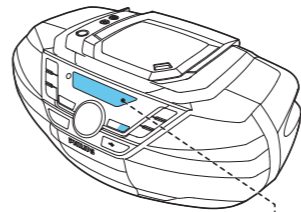
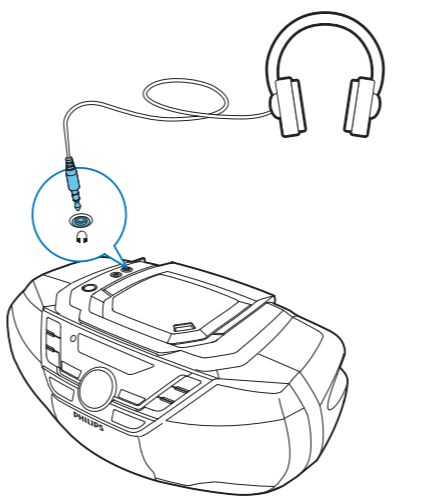
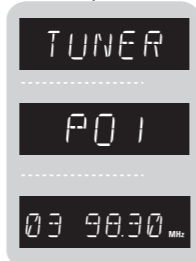
- 1 SOURCE
- 2 OK
- 3 - TUNING / + TUNING



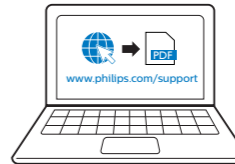
- 1 SOURCE
- 2 A - TUNING / + TUNING
- 2 B - TUNING / + TUNING

TUNER

- 1 SOURCE
- 2 PROG
- 3 - ALBUM / PRESET / + ALBUM / PRESET



- 1 DIM DSC
- 2 DIM DSC



www.philips.com/support



Specifications are subject to change without notice
 This product has been manufactured by, and is sold under the responsibility of Gibson Innovations Ltd., and Gibson Innovations Ltd. is the warrantor in relation to this product.
 The Philips trademark and the Philips Shield Emblem are registered trademarks of Koninklijke Philips N.V. used under license.

AZB790_12_QSG_V1.0

