

# Always there to help you

Register your product and get support at  
[www.philips.com/support](http://www.philips.com/support)



CVR600



## User manual

# PHILIPS



# Contents

---

<b>1</b>	<b>Safety</b>	<b>2</b>		
----------	---------------	----------	--	--

---

<b>2</b>	<b>Your car driving recorder</b>	<b>3</b>		
	Introduction	3		
	What's in the box	3		
	Overview	3		

---

<b>3</b>	<b>Get started</b>	<b>4</b>		
	Insert the Micro SD card	4		
	Install the driving recorder	4		
	Connect power	5		
	Power off the driving recorder manually	5		
	Use for the first time	5		
	Switch modes	6		

---

<b>4</b>	<b>Record videos</b>	<b>7</b>		
	Know the interface	7		
	Make settings	7		
	Control	8		

---

<b>5</b>	<b>Capture photos</b>	<b>9</b>		
	Know the interface	9		
	Make settings	9		
	Control	9		

---

<b>6</b>	<b>View videos and photos</b>	<b>10</b>		
	Access the file list	10		
	View videos	10		
	View photos	10		
	Manage videos and photos	10		

---

<b>7</b>	<b>Use an external display</b>	<b>11</b>		
----------	--------------------------------	-----------	--	--

---

<b>8</b>	<b>Reset the driving recorder</b>	<b>11</b>		
	Use the reset button	11		
	Use the menu	11		

---

<b>9</b>	<b>Check the firmware version</b>	<b>12</b>		
----------	-----------------------------------	-----------	--	--

---

<b>10</b>	<b>Product information</b>	<b>12</b>		
-----------	----------------------------	-----------	--	--

---

<b>11</b>	<b>Notice</b>	<b>13</b>		
-----------	---------------	-----------	--	--

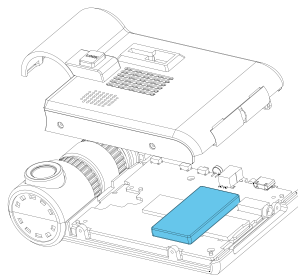
---

# 1 Safety

- Read and understand all instructions before you use your apparatus. If damage is caused by failure to follow instructions, the warranty does not apply.
- Use only the supplied mounting hardware for a safe and secure installation.
- Only use attachments/accessories specified by the manufacturer.
- To avoid short circuit, do not expose the apparatus to rain or water.
- Never insert objects into the ventilation slots or other openings on the apparatus.
- Clean the apparatus and frame with a soft, damp cloth. Never use substances such as alcohol, chemicals or household cleaners on the apparatus.
- Risk of damage to the apparatus screen! Never touch, push, rub or strike the screen with any object.
- Batteries (battery pack or batteries installed) shall not be exposed to excessive heat such as sunshine, fire or the like.
- Danger of explosion if battery is incorrectly replaced. Replace only with the same or equivalent type.
- For your own safety, do not operate the device while driving.
- Do not install the device in the position that blocks the driver's sight or affects the work of the airbags.
- To void accident caused by exhaust of car battery, disconnect the car charger before leaving the car for the users whose car cigarette lighter keeps power supplying after the engine is stopped.
- When the car engine is stopped or the power is shut down, the device still can save the recording files with its built-in battery power; do not remove the microSD card during the period to prevent data loss.
- The apparatus shall not be exposed to dripping or splashing.

- Do not place any sources of danger on the apparatus (e.g. liquid filled objects, lighted candles).

Always bring your product to a professional to remove the built-in battery.



## 2 Your car driving recorder

Congratulations on your purchase, and welcome to Philips! To fully benefit from the support that Philips offers, register your product at [www.philips.com/welcome](http://www.philips.com/welcome).

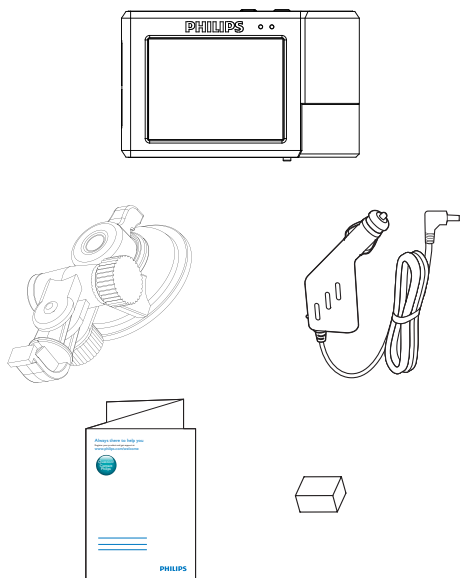
### Introduction

With the car driving recorder, you can:

- Record videos automatically when you are driving
- Take photos
- Play back videos/photos

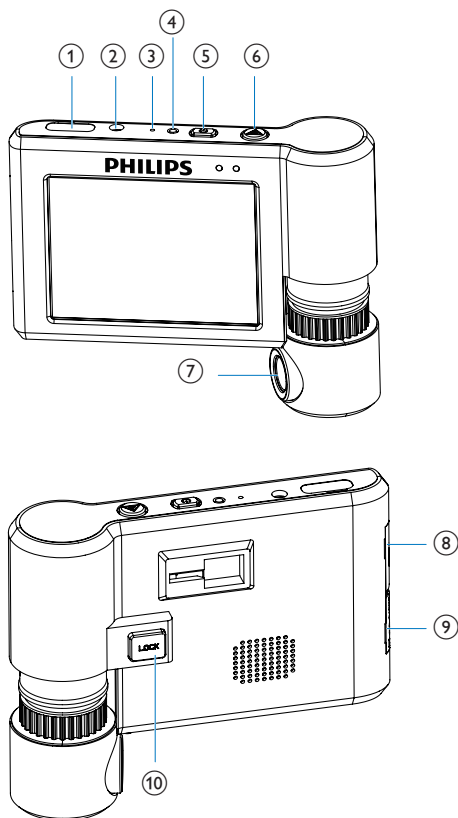
### What's in the box

Check and identify the contents of the package:



- ① Driving recorder
- ② Suction bracket
- ③ Car charger
- ④ Short user manual
- ⑤ Cushion

### Overview



- ① Auxiliary DC socket
- ② DC IN
  - Connect to the car charger for power supply.

- ③ **MIC**
  - The integrated microphone
- ④ **RESET**
  - Press to restore all settings to factory default.
- ⑤ **⏻**
  - Press to power on the driving recorder.
  - Press and hold for 3 seconds to power off the driving recorder.
- ⑥ **🔒**
  - Press to enter the secure recording mode. The recorded video cannot be deleted directly, but can only be deleted by formatting the microSD card.
- ⑦ **Camera lens**
- ⑧ **TV OUT**
  - Connect to an external display, and then you can watch the real image on the external display.
- ⑨ **MicroSD card slot**
  - Insert a microSD card.
- ⑩ **LOCK**
  - Press to unlock the lens, and then the lens can rotate by 300°.

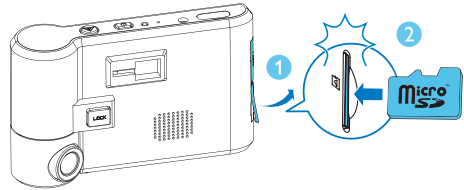
## 3 Get started

### Insert the Micro SD card

#### Note

- Insert the microSD card with the right direction. Otherwise, the card slot and the card may be damaged.

Insert a microSD card into the card slot until you hear a "click".



- To remove the microSD card, push the card inwards until you hear a "click".

### Install the driving recorder

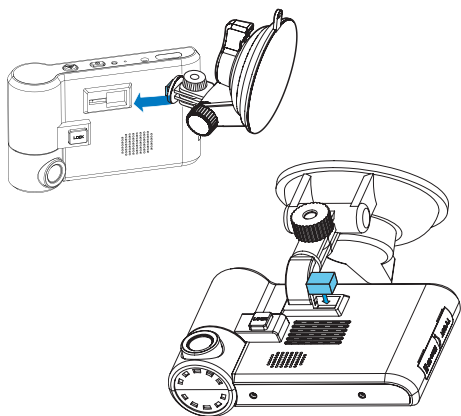
#### Caution

- Do not place the driving recorder where it may block the driver's view or affect the operation of airbags.

#### Note

- To get clear images, clear any smudginess on the windshield.

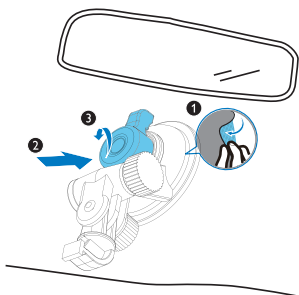
- 1 Connect the driving recorder with the suction bracket.



- 2 Clean the windshield.



- 3 Remove the protective film of the suction bracket and rotate the fix button of suction.

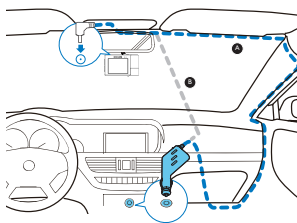


---

## Connect power

Connect the car charger to

- the **DC IN** socket of the driving recorder; and
  - the cigarette lighter socket of the car.
- ↳ The driving recorder is powered on when the car ignition is on.



---

## Power off the driving recorder manually

Press and hold **⏻** for 3 seconds to power off the driving recorder.

- To power on the driving recorder, press **⏻** again.

---

## Use for the first time

---

### Format the Micro SD card

If the microSD card is not formatted, a reminder prompts. Follow the on-screen instructions to format the card. You can format the card manually.

- 1 In video recording mode or photo capture mode, tap **[Setting]** to access the system menu.
- 2 Tap **▲▼** to select **[Format]**.
- 3 Tap **[OK]**.
- 4 Tap **▲▼** to select **[Yes]**.
- 5 Tap **[OK]**.

---

## Set the interface language

Select a language for on-screen display.

- 1 In video recording mode or photo capture mode, tap **[Setting]** to access the system menu.
- 2 Tap ▲▼ to select **[Language]**.
- 3 Tap **[OK]**.
- 4 Tap ▲▼ to select a language.
- 5 Tap **[OK]**.

---

## Set the date and time

When using it for the first time, set the date and time.

- 1 In video recording mode or photo capture mode, tap **[Setting]** to access the system menu.
- 2 Tap ▲▼ to select **[Date & Time]**.
- 3 Tap **[OK]**.
- 4 Tap ▲▼ to set the year, and then tap **[OK]**.
- 5 Tap ▲▼ to set the month, and then tap **[OK]**.
- 6 Tap ▲▼ to set the day, and then tap **[OK]**.
- 7 Tap ▲▼ to set the hour, and then tap **[OK]**.
- 8 Tap ▲▼ to set the minute, and then tap **[OK]**.



### Note

- For safety reasons, the built-in battery will stop charging if the driving recorder remains at a high-temperature for a period of time. If the built-in battery runs out of power, you need to reset the date and time again.

---

## Mute the button beep

You can mute the button beep.



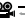

- 1 In video recording mode or photo capture mode, tap **[Setting]** to access the system menu.
- 2 Tap ▲▼ to select **[Tone]**.
- 3 Tap **[OK]**.
- 4 Tap ▲▼ to select **[Off]**.
  - To enable the button beep, select **[On]**.
- 5 Tap **[OK]**.

---

## Switch modes

When the car ignition is on, the driving recorder is powered on and starts video recording automatically.

You can switch the driving recorder to photo capture mode, or enter the library to watch recorded videos or view photos.

- In video recording mode, tap  =  to switch to the photo capture mode.
- In photo capture mode, tap  =  to switch to the video recording mode.
- In video recording mode or photo capture mode, tap **[Play]** to enter the library of videos and photos.
- In playback mode, tap **[Rec]** to return to the video recording mode.

---

## Turn off the LCD screen

During video recording, tap **[LCD off]**.

- To turn on the LCD screen, tap the screen.



# 4 Record videos

When the car ignition is on, the driving recorder is powered on and starts video recording automatically.

### Note

- The driving recorder will continue running for a while to protect the last recorded file after the engine is shut down.

## Know the interface



- ① Recording duration
- ② Secure recording mode
- ③ Video resolution
- ④ Recording voice
- ⑤ Memory card status
- ⑥ Battery power
- ⑦ Tap to enter the secure recording mode.
- ⑧ Tap to display the file list.
- ⑨ Tap to access the system menu.
- ⑩ Tap to turn off the screen.
- ⑪ Tap to switch between the video recording mode and the photo capture mode.

## Make settings

Make the following settings as you want.

### Set the video resolution

- In video recording mode or photo capture mode, tap **[Setting]** to access the system menu.
- Tap ▲▼ to select **[Video resolution]**.
- Tap **[OK]**.
- Tap ▲▼ to select an option.
  - [1080p Full HD]**
  - [720p HD]**
- Tap **[OK]**.

### Set the video duration

Set the duration for each recorded video.

- In video recording mode or photo capture mode, tap **[Setting]** to access the system menu.
- Tap ▲▼ to select **[Record time]**.
- Tap **[OK]**.
- Tap ▲▼ to select an option.
  - [3min]**: Record a video every 3 minutes
  - [5min]**: Record a video every 5 minutes
  - [10min]**: Record a video every 10 minutes
- Tap **[OK]**.

---

## Use the mobile detection

- 1 In video recording mode or photo capture mode, tap **[Setting]** to access the system menu.
- 2 Tap ▲▼ to select **[Mobile detection]**.
- 3 Tap **[OK]**.
- 4 Tap ▲▼ to select an option.
  - **[Off]**: Disable the mobile detection.
  - **[On]**: Enable the mobile detection. If the real image does not change for 30 seconds, the driving recorder stops recording automatically. When the real image changes again, the driving recorder starts recording automatically.
- 5 Tap **[OK]**.

---

## Display the date

- 1 In video recording mode or photo capture mode, tap **[Setting]** to access the system menu.
- 2 Tap ▲▼ to select **[Date print]**.
- 3 Tap **[OK]**.
- 4 Tap ▲▼ to select an option.
  - **[Off]**: Do not display the date on the video image.
  - **[On]**: Display the date on the video image.
- 5 Tap **[OK]**.

---

## Set the sensitivity of Gyro-sensor

When the Gyro-sensor is enabled and triggered, the current video will be recorded under the secure recording mode.

- 1 In video recording mode or photo capture mode, tap **[Setting]** to access the system menu.
- 2 Tap ▲▼ to select **[Sensitivity of G-sensor]**.
- 3 Tap **[OK]**.
- 4 Tap ▲▼ to select an option.

- **[High]/[Middle]/[Low]**: Select a sensitivity level.
- **[Off]**: Disable the Gyro-sensor.

- 5 Tap **[OK]**.

---

## Mute the microphone

- 1 In video recording mode or photo capture mode, tap **[Setting]** to access the system menu.
- 2 Tap ▲▼ to select **[Voice record]**.
- 3 Tap **[OK]**.
- 4 Tap ▲▼ to select an option.
  - **[Off]**: Do not record voice during video recording.
  - **[On]**: Record voice during video recording.
- 5 Tap **[OK]**.

---

## Control

---

### Use secure recording mode

During video recording, press the 🔴 button or tap the ⚠ icon.

↳ ⚠ is displayed.

↳ The current video is recorded under the secure recording mode. It can be deleted by formatting the microSD card only.

---

### Note

- You can save a maximum of 10 secure recording videos.

# 5 Capture photos

To capture photos, switch to photo capture mode first.

## Know the interface



- 1 Photo capture mode
- 2 Photo resolution
- 3 Battery power
- 4 Tap to capture the real image as a photo.
- 5 Tap to display the file list.
- 6 Tap to access the system menu.
- 7 Tap to turn off the screen.
- 8 Tap to switch between the photo capture mode and the video recording mode.

## Make settings

Make the following settings as you want.

### Set the photo resolution

- 1 In video recording mode or photo capture mode, tap **[Setting]** to access the system menu.
- 2 Tap ▲▼ to select **[Photo resolution]**.
- 3 Tap **[OK]**.
- 4 Tap ▲▼ to select an option.
  - **[12M 4032 × 3024]**
  - **[10M 3648 × 2736]**
  - **[8M 3264 × 2448]**
  - **[5M 2592 × 1944]**
- 5 Tap **[OK]**.

### Display the date

- 1 In video recording mode or photo capture mode, tap **[Setting]** to access the system menu.
- 2 Tap ▲▼ to select **[Date print]**.
- 3 Tap **[OK]**.
- 4 Tap ▲▼ to select an option.
  - **[Off]**: Do not display the date on the captured photo.
  - **[On]**: Display the date on the captured photo.
- 5 Tap **[OK]**.

## Control

Tap to capture the current image as a photo.

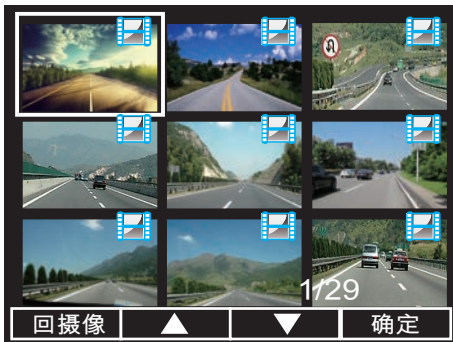
# 6 View videos and photos

## Access the file list

In video recording mode or photo capture mode, tap **[Play]**.

- ↳ The list of videos and photos is displayed.

## View videos



- 1 Tap ▲▼ to select a video.
- 2 Tap **[OK]** to start play.
  - To pause play, tap **[OK]**. To resume play, tap **[OK]** again.
  - To stop play and return to the video recording mode, tap **[Rec]**.

## View photos



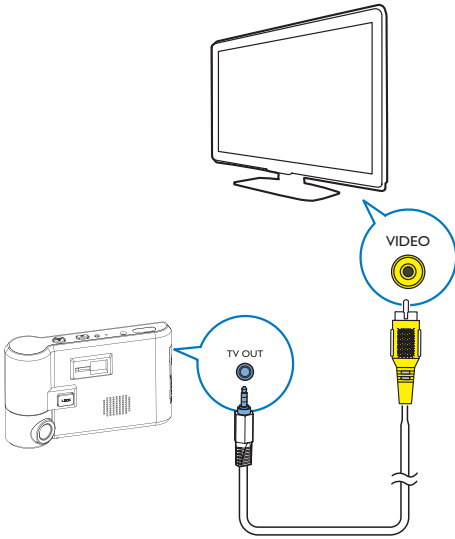
- 1 Tap ▲▼ to select a photo from the file list.
- 2 Tap **[OK]** to view the photo.
  - To return to the file list, tap **[Cancel]**.

## Manage videos and photos

- 1 Tap ▲▼ to select a video or photo from the file list.
- 2 Tap **[OK]**, and then tap **[Delete]** to display the following options.
  - **[Delete Current]**: Delete the selected video or photo. Protected files can be deleted by formatting the microSD card only.
  - **[Delete all]**: Delete all videos and photos. Protected files can be deleted by formatting the microSD card only.
- 3 Tap ▲▼ to select an option.
- 4 Tap **[OK]** to confirm.

## 7 Use an external display

Connect the driving recorder to an external display, and then you can watch the real image on the external display.



## 8 Reset the driving recorder

---

### Use the reset button

Press **RESET** with the tip of a ballpoint pen or toothpick.

---

### Use the menu

- 1 In video recording mode or photo capture mode, tap **[Setting]** to access the system menu.
- 2 Tap ▲▼ to select **[Default]**.
- 3 Tap **[OK]**.
- 4 Tap ▲▼ to select **[Yes]**.
  - To return to the previous menu, select **[No]**.
- 5 Tap **[OK]**.

## 9 Check the firmware version

- 1 In video recording mode or photo capture mode, tap **[Setting]** to access the system menu.
- 2 Tap ▲▼ to select **[Version]**.
- 3 Tap **[OK]**.  
↳ The firmware version is displayed.

## 10 Product information



### Note

- Product information is subject to change without prior notice.

Battery	Rechargeable lithium battery (Designed for the backup of last data only)
Power supply	Car charger (Input: DC 12 - 24V; Output: DC 5.5V)
LCD screen	3.0 inch touch screen
Lens	110° wide angle
Video	Full HD (1920 × 1080p) 30 FPS HD (1280 × 720p) 60FPS
Video format	MOV
External memory	microSD card class 6, or higher (up to 32 GB)
Microphone/ Speaker	Built-in
Gyro-sensor	Built-in
Storage humidity	20% - 85%
Storage temperature	-20 °C - 70 °C
Working temperature	-20 °C - 60 °C
Dimensions	
- Driving recorder (W × H × D)	106.6 × 65.5 × 30.2 mm
- Suction bracket (Diameter × Height)	70.0 × 63.0 mm
Weight	
- Driving recorder	136.5g
- Suction bracket	60.0g

# 11 Notice

Any changes or modifications made to this device that are not expressly approved by Gibson Innovations may void the user's authority to operate the equipment.

## **Disposal of your old product**



Your product is designed and manufactured with high quality materials and components, which can be recycled and reused.

Do not throw away the product with the normal household waste at the end of its life, but hand it in at an official collection point or recycling. By doing this, you help to preserve the environment.

## **Environmental information**

All unnecessary packaging has been omitted. We have tried to make the packaging easy to separate into three materials: cardboard (box), polystyrene foam (buffer) and polyethylene (bags, protective foam sheet.)

Your system consists of materials which can be recycled and reused if disassembled by a specialized company. Please observe the local regulations regarding the disposal of packaging materials, exhausted batteries and old equipment.









2015 © Gibson Innovations Limited. All rights reserved.  
This product has been manufactured by, and is sold under the responsibility of WOOX Innovations (Shanghai) Commercial Company Ltd., and WOOX Innovations (Shanghai) Commercial Company Ltd., is the warrantor in relation to this product.  
Philips and the Philips Shield Emblem are registered trademarks of Koninklijke Philips N.V. and are used under license from Koninklijke Philips N.V.

CVR600\_93\_UM\_Online\_V1.0

