

Register your product and get support at

CID3687

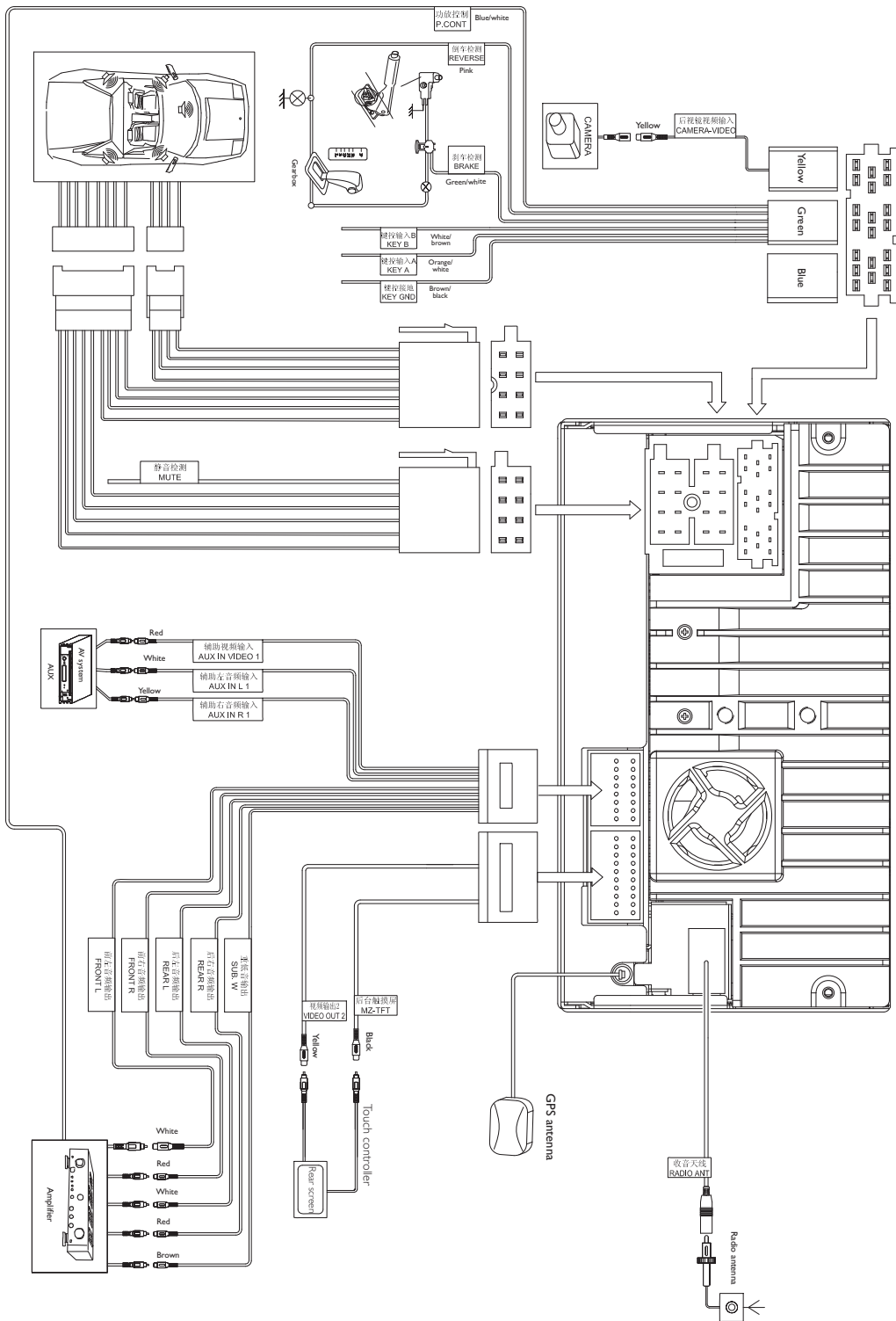
www.philips.com/welcome



EN

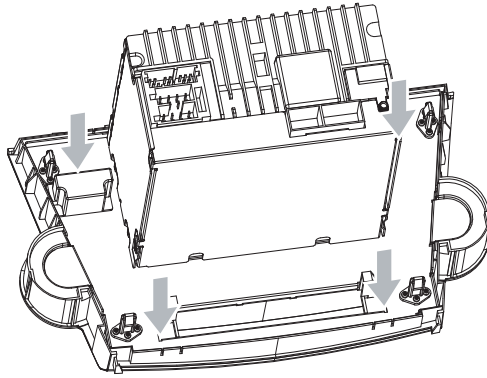
Quick Start Guide

PHILIPS

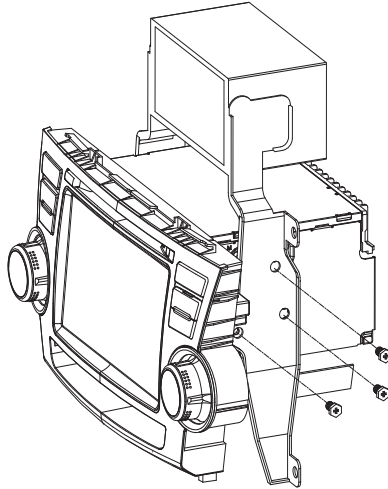


2

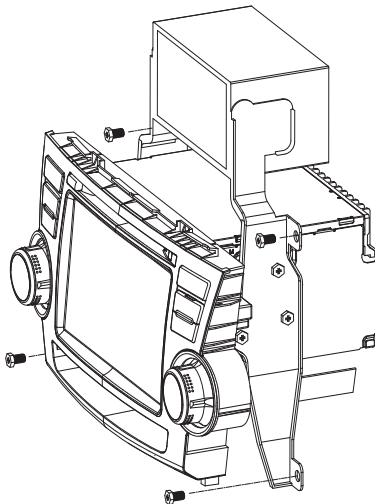
a



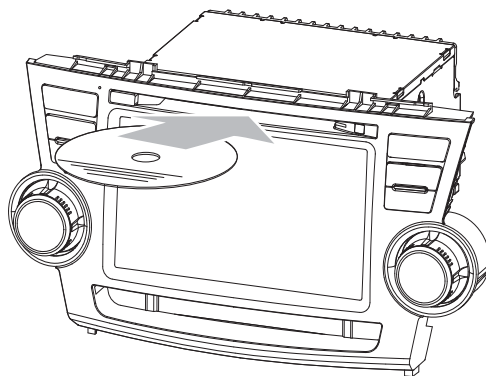
b



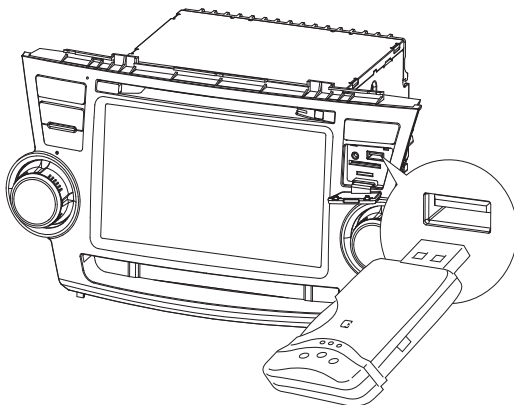
c



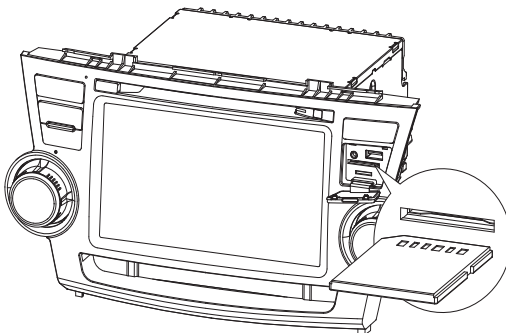
3



4



5



English

Connect wires 1

- 1 Check the car's wirings carefully, then connect them to the unit.

Mount in the dashboard 2

- 1 If the car does not have an on-board drive or navigation computer, disconnect the negative terminal of the car battery.
- 2 Ensure that the horizontal slant of the car dashboard opening is between 0 and 20 degrees. The unit cannot be used if the dashboard opening's slant angle is above 20 degrees.
- 3 Fix the four plastic buckles (supplied by the car manufacturer for the original audio system) to the unit. **a**
- 4 Fix the mounting brackets to the unit with screws (supplied by the car manufacturer). **b**
- 5 Slide the unit into the dashboard and fix it to the car with four screws. **c**
- 6 Reconnect the negative terminal of the car battery.

Turn on

- 1 Press and hold **MUTE/VOL** to turn on the unit.
 - ↳ The available OSD (On-Screen Display) languages are displayed.



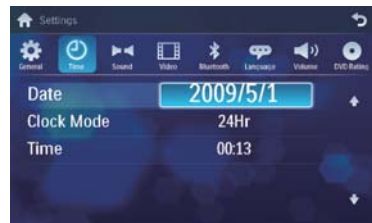
- 2 Tap a language to select.
 - To turn off the unit, press and hold **MUTE/VOL**.

Set date and time

- 1 Tap **Home** to display main menu.



- 2 Tap **Settings** in the middle right side of the screen.
- 3 Tap **[Settings]**.
- 4 Tap **[Time]**.



Set date

- 1 Tap **[Date]**.
- 2 Tap on the displayed date information.
- 3 Tap **Up** or **Down** to set year, month and day.

Set clock mode

- 1 Tap **[Clock mode]**.
- 2 Tap on **[12Hr]** or **[24Hr]** to select clock mode.

Set time

- 1 Tap **[Time]**.
- 2 Tap on the displayed time.
- 3 Tap **Up** or **Down** to set hour and minute.


Use map

Note



- You may need to upgrade the map (sold separately) before using it.

- 1 Tap the upper left corner to display home menu.
- 2 Tap **[Navigation]**.
↳ The navigation menu is displayed in a few seconds.
- 3 Refer to the map manual to operate the navigation tool.

Listen to Radio

- 1 Tap  to display home menu.
- 2 Tap **[Radio]**.



- 3 Tap **FM** or **AM** to select band:
- 4 Briefly tap  or  to tune to a radio station by step.

Play disc

You can play video, audio or images stored on the following discs:

- DVD video, DVD-R, DVD-RW
- VCD
- Audio CD, CD-R, CD-RW

- 1 Insert a disc into the disc slot with the label side facing up.
↳ Play starts automatically.

Connect USB device






- 1 Open the AV-IN/USB/SD/MAP socket cover.
- 2 Insert the USB device to the USB socket.
↳ Play starts automatically.



Insert SD/MMC card

- 1 Open the AV-IN/USB/SD/MAP socket cover.
- 2 Insert the SD/MMC card into the SD/MMC card slot.
↳ Play starts automatically.

Make a call


To connect your Bluetooth device to the unit, you need to pair the device to the unit.

- 1 Turn on the Bluetooth function on the device.
- 2 Search for Bluetooth device with the device.
- 3 Select "CID3687" in the pairing list.
- 4 Enter default password "0000".
↳ If pairing succeeds, phone call record is displayed.
- 5 Tap  or  to select the paired phone, then tap .
- 6 Tap  or  to search for phone number from the following list:
 - **[Missed calls]**
 - **[Received calls]**
 - **[Dialed calls]**
 - **[Phone book]**
 - **[Sim phone book]**
 - **[Local phone book]**

Or tap  to dial number directly, then tap  to dial.

Receive call

By default, all incoming calls are received automatically.

- 1 If there is incoming call, **[Incoming call...]** flashes on the screen. Speak into the Bluetooth microphone.
- 2 When conversation ends, tap  (red) to terminate the call.

