

Always there to help you

Register your product and get support at
www.philips.com/support

PX840T



User manual

PHILIPS

Contents

1	Safety	2	8	Product information	13
				Specifications	13
				Supported MP3 disc formats	14
				USB playability information	14
				Maintenance	14

2	Your CD Soundmachine	3	9	Troubleshooting	15
	Introduction	3		About Bluetooth device	15
	What's in the box	3			
	Overview of the main unit	4			

3	Get started	6	10	Notice	16
	Power supply	6		Compliance	16
	Turn on	7		Care of the environment	16
				Trademark notice	16

4	Play	8			
	Play CD	8			
	Play from USB devices	8			
	Play from Bluetooth devices	8			
	Play from external devices	9			

5	Play options	10			
	Control play	10			
	Program tracks	10			
	Select a preset sound effect	10			
	Enhance bass	10			

6	Listen to FM/AM radio	11			
	Tune to FM/AM radio stations	11			
	Store radio stations automatically	11			
	Store radio stations manually	11			
	Select a preset radio station	11			

7	Other features	12			
	Adjust display brightness	12			
	Enjoy decorative light	12			
	Use the shoulder strap	12			

1 Safety



Warning

- Never remove the casing of this product.
 - Never lubricate any part of this product.
 - Never place this product on other electrical equipment.
 - Keep this product away from direct sunlight, naked flames or heat.
-
- Only use attachments/accessories specified by the manufacturer.
 - Unplug this apparatus during lightning storms or when unused for long periods of time.
 - Do not block any ventilation openings. The minimum distance around the product for sufficient ventilation is 10 cm.
 - Refer all servicing to qualified service personnel. Servicing is required when the apparatus has been damaged in any way, such as liquid has been spilled or objects have fallen into the apparatus, the apparatus has been exposed to rain or moisture, does not operate normally, or has been dropped.
 - Use only power supplies listed in the user manual.
 - Battery usage CAUTION – To prevent battery leakage which may result in bodily injury, property damage, or damage to the product:
 - Install all batteries correctly, + and - as marked on the product.
 - Do not mix batteries (old and new or carbon and alkaline, etc.).
 - Batteries (packed or installed) shall not be exposed to excessive heat such as sunshine, fire or the like.
 - Remove batteries when the product is not used for a long time.
 - Batteries contain chemical substances, so they should be disposed of properly.
 - The product shall not be exposed to dripping or splashing.

- The product can be used in both tropical and moderate climate.
- Do not place any sources of danger on the product (e.g. liquid filled objects, lighted candles).
- Where the plug of the Direct Plug-in Adapter is used as the disconnect device, the disconnect device shall remain readily operable.



Caution

- Use of controls or adjustments or performance of procedures other than herein may result in hazardous laser exposure or other unsafe operation.



Note

- The type plate is located on the bottom of the apparatus.

2 Your CD Soundmachine

Introduction

With this CD Soundmachine, you can:

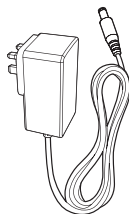
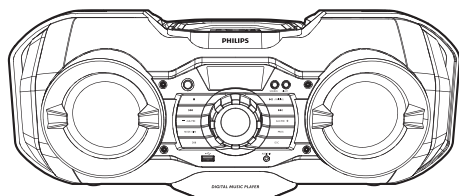
- listen to FM/AM radio; and
- enjoy audio from discs, USB storage devices, Bluetooth enabled devices, and other external audio devices.

The product offers you Dynamic Bass Boost (DBB) and Digital Sound Control (DSC) to enrich sound.

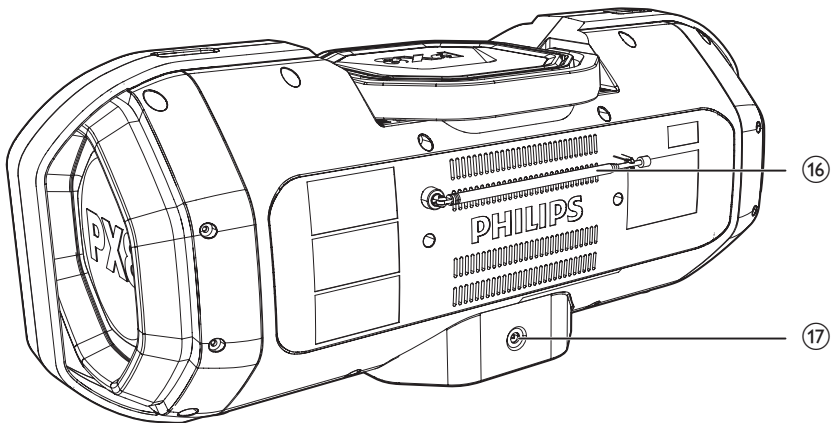
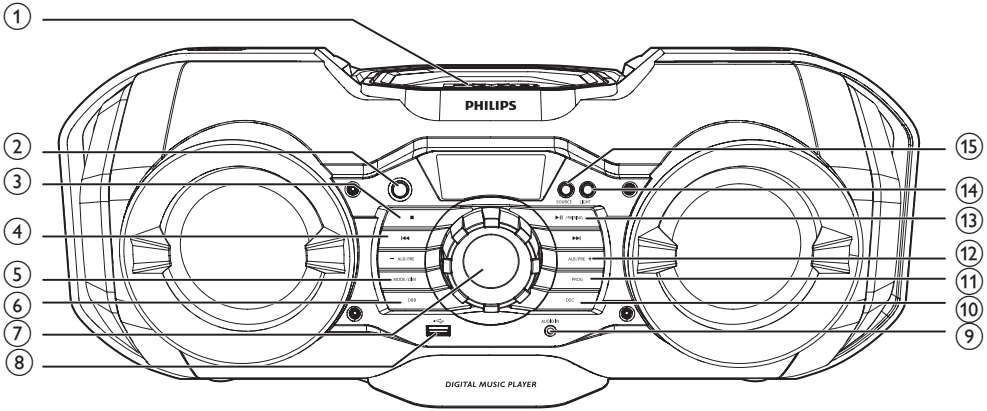
What's in the box

Check and identify the contents of the package:

- Main unit
- Power adaptor
- Printed materials



Overview of the main unit



① Disc compartment



- Turn on the product.
- Switch to standby mode.



- Stop play.
- Erase the programmed list.



- Press to skip to the previous or next track.


- Press and hold to fast-forward or fast-backward.
- Tune to radio stations.

⑤ MODE/DIM

- Press to select a repeat or shuffle mode.
- Press and hold for two seconds to select different brightness levels.

⑥ DBB

- Turn dynamic bass enhancement on or off.

- ⑦ **Volume knob**
 - Adjust volume.
- ⑧ 
 - Connect USB storage devices.
- ⑨ **AUDIO IN**
 - Connect an external audio device.
- ⑩ **DSC**
 - Select a preset sound effect.
- ⑪ **PROG**
 - Program tracks.
 - Program radio stations.
- ⑫ **-ALB/PRE/ALB/PRE+**
 - Skip to the previous or next album.
 - Select a preset radio station.
- ⑬ **▶||/PAIRING**
 - Start or pause play.
 - In Bluetooth mode, press and hold for two seconds to enter pairing mode.
- ⑭ **LIGHT**
 - Turn decorative light on or off.
 - Select a lighting effect.
- ⑮ **SOURCE**
 - Select a source.
- ⑯ **Telescopic antenna**
 - Adjust radio reception.
- ⑰ **DC IN**
 - Connect power.

3 Get started

! Caution

- Use of controls or adjustments or performance of procedures other than herein may result in hazardous laser exposure or other unsafe operation.

Always follow the instructions in this chapter in sequence.

If you contact Philips, you will be asked for the model and serial number of your apparatus. The model number and serial number are on the bottom of your apparatus. Write the numbers here:

Model No. _____

Serial No. _____

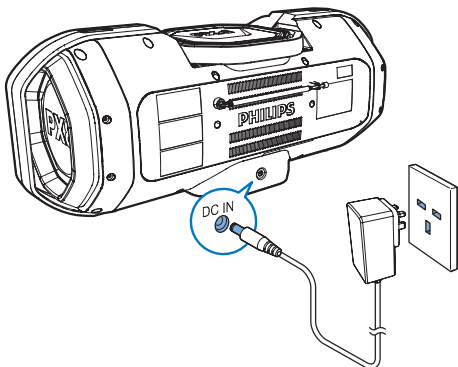
Power supply

Either AC power or battery can be used as power supply of this product.

Option 1: AC power

! Warning

- Risk of product damage! Make sure that the power supply voltage corresponds to the voltage printed on the back or the underside of the product.
- Risk of electric shock! When you disconnect the AC power, always pull the plug from the socket. Never pull the cord.



- 1 Connect one end of the AC adaptor to the **DC IN** socket on the back of the product.
- 2 Connect the other end of the AC adaptor to the wall outlet.

! Warning

- To save energy, turn off the product after use.

Option 2: Battery power

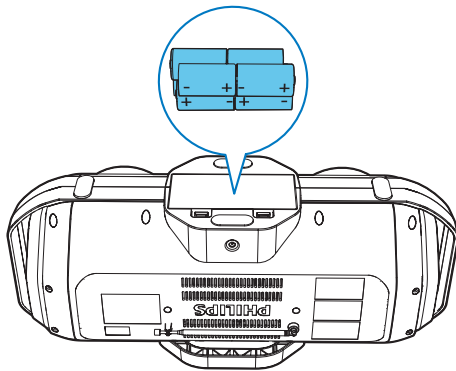
! Caution

- Risk of explosion! Keep batteries away from heat, sunshine or fire. Never discard batteries in fire.
- Batteries contain chemical substances, so they should be disposed of properly.

≡ Note

- Batteries are not supplied with the accessories.

- 1 Open the battery compartment on the bottom of the product.
- 2 Insert 8 batteries (type: D/R20 CELL/UM1) with correct polarity (+/-) as indicated.



- 3 Close the battery compartment.

Turn on

Press ϕ to turn on the product.

- ↳ **[POWER ON]** scrolls on the display,
and then the product switches to your
last selected source.



Tip

- To select a source, press **SOURCE** repeatedly.

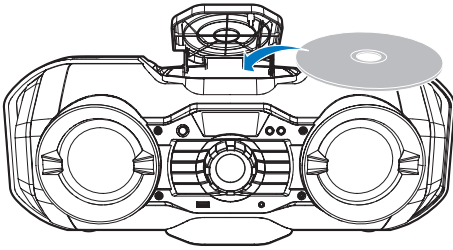
Switch to standby mode

Press ϕ again to switch the product to standby mode.

4 Play

Play CD

- 1 Press **SOURCE** repeatedly to select **[CD]** source.
- 2 Press down to open the CD compartment.
- 3 Insert a disc with the printed side facing up, then close the CD compartment.



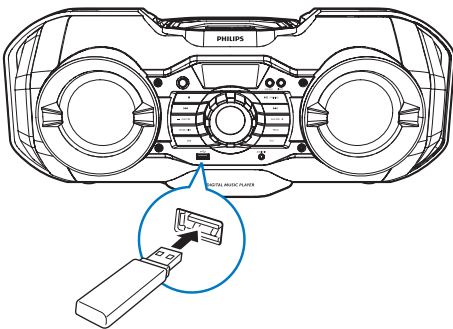
↳ Play starts automatically.

Play from USB devices

Note

- Make sure that the USB device contains playable audio content.

- 1 Press **SOURCE** repeatedly to select **[USB]** source.
- 2 Insert the USB device into the  socket.



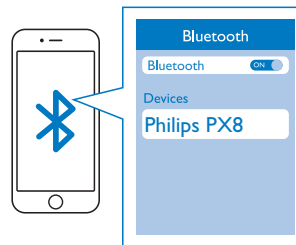
↳ Play starts automatically. If not, press **▶||**.

Play from Bluetooth devices

Note

- Make sure that your Bluetooth device is compatible with this product.
- Before pairing a device with this product, read its user manual for Bluetooth compatibility.
- Make sure that Bluetooth function is enabled on your device, and your device is set as visible to all other Bluetooth devices.
- The product can memorize a maximum of four paired devices. The fifth paired device will replace the first one.
- Any obstacle between this product and a Bluetooth device can reduce the operational range.
- Keep away from any other electronic device that may cause interference.
- The operational range between this speaker and a Bluetooth device is approximately 10 meters (30 feet).

- 1 Press **SOURCE** repeatedly to select **[BLUETOOTH]** source.
↳ **[PAIRING]** begins to flash.
- 2 On your Bluetooth device, enable Bluetooth and search for Bluetooth devices (refer to the user manual of the device).
- 3 Select **[Philips PX8]** on your device for pairing. If necessary, enter default password "0000".



↳ After successful pairing and connection, the product beeps twice, and **[Connected]** is displayed.

- 4 Play audio on the Bluetooth device.
↳ Audio streams from your Bluetooth device to the speaker.
↳ To pause play, press **▶||**.
↳ To skip to the previous or next track, press **◀◀ / ▶▶**.

Tip

- If you cannot find "Philips PX8" for pairing, press and hold **PAIRING** for two seconds to enter pairing mode, and then try again.

To disconnect the Bluetooth-enabled device:

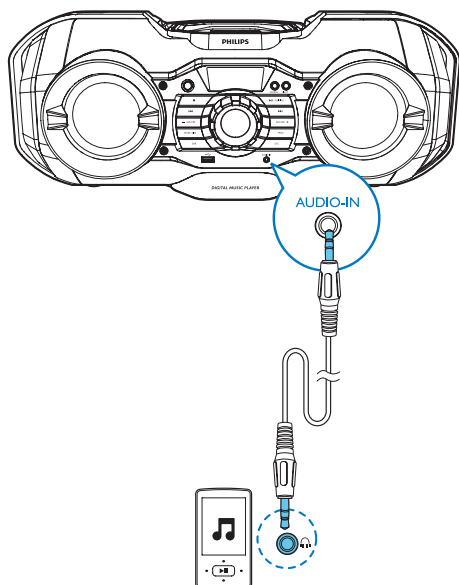
- Press and hold **PAIRING** for two seconds;
- Disable Bluetooth on your device; or
- Move the device beyond the communication range.

To connect another Bluetooth-enabled device:

- 1 Press and hold **PAIRING** for two seconds to enter Bluetooth pairing mode;
- 2 Connect another device.

Play from external devices

You can also listen to an external audio device such as an MP3 player through the product.




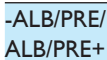


- 1 Press **SOURCE** repeatedly to select **[AUDIO-IN]** source.

- 2 Connect an audio cable (3.5mm, not supplied) to:
 - the **AUDIO IN** socket on the product.
 - the headphone socket on an external device.
- 3 Play the external device (see its user manual).

5 Play options





Control play

In CD or USB mode, you can control play through the following operations.

	Press and hold to fast-forward or fast-reverse the track during playback, then release to resume play.
	Skip to the previous or next MP3 album.
	Start or pause play.
	Stop play.
MODE	[REP ONE]: Play the current track repeatedly. [REP ALBUM] (for MP3 tracks only): Play tracks in the current album repeatedly. [REP ALL]: Play all tracks repeatedly. [SHUFFLE]: Play tracks randomly. [OFF]: Resume normal play.

Program tracks

In CD or USB mode, you can program a maximum of 20 tracks.

- 1 Press  to stop playback.
- 2 Press **PROG** to activate the program mode.
- 3 For MP3 tracks, press **-ALB/PRE/ALB/PRE+** to select an album.
- 4 Press  to select a track number, then press **PROG** to confirm.
- 5 Repeat steps 3-4 to program more tracks.
- 6 Press  to play the programmed tracks.
 - To erase the program, press  twice.

Select a preset sound effect

The DSC (Digital Sound Control) enables you to enjoy special sound effects.

- During play, press **DSC** repeatedly to select:
 - **[ROCK]**
 - **[TECHNO]**
 - **[JAZZ]**
 - **[POP]**
 - **[SAMBA]**

Enhance bass

During play, press **DBB** repeatedly to turn dynamic bass enhancement on or off.

6 Listen to FM/AM radio

Tune to FM/AM radio stations

Note

- For better reception, fully extend and adjust the position of the telescopic antenna.
- To prevent interference, position the antenna as far as possible from any other electrical appliances.

- 1 Press **SOURCE** repeatedly to select FM/AM radio.
- 2 Press and hold **◀◀ / ▶▶** for two seconds.
↳ The product tunes to a station with strong reception automatically.
- 3 Repeat step 2 to tune to more stations.

To tune to a radio station manually:

Press **◀◀ / ▶▶** repeatedly until you find better reception.

Store radio stations automatically

Note

- You can program a maximum of 20 FM/AM radio stations.

In tuner mode, press and hold **PROG** for two seconds.

- ↳ The product stores all the available FM/AM radio stations.
- ↳ The first stored radio station is broadcast automatically.

Store radio stations manually

Note

- You can store a maximum of 20 FM/AM radio stations.

- 1 Tune to an FM/AM radio station.
- 2 Press **PROG** to activate the storing mode.
- 3 Press **-ALB/PRE/ALB/PRE+** to allocate a number (1 to 20) to this radio station, then press **PROG** to confirm.
↳ The preset number and the frequency of the preset station are displayed.
- 4 Repeat the above steps to store other stations.

Note

- To remove a pre-stored FM/AM radio station, store another station in its place.

Select a preset radio station

In FM/AM tuner mode, press **-ALB/PRE/ALB/PRE+** to select a preset number.

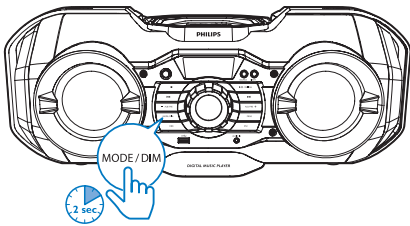
7 Other features

Adjust display brightness

Note

- Make sure that the product is turned on.

1 Press and hold **DIM** for two seconds.



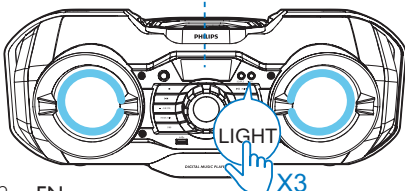
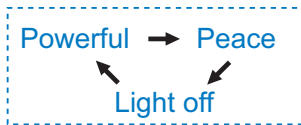
2 Press **DIM** repeatedly to select different brightness levels:

- [LOW]
- [MEDIUM]
- [HIGH]
- [OFF]

Enjoy decorative light

Note

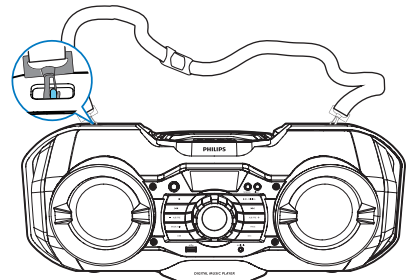
- Make sure that the product is turned on.



- **[Powerful]**: The color of decorative light changes randomly and quickly.
- **[Peace]**: The color of decorative light changes randomly and slowly.
- **[Light Off]**: Turn off the decorative light.

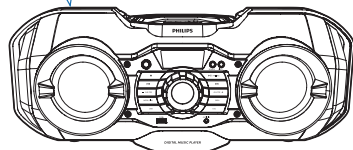
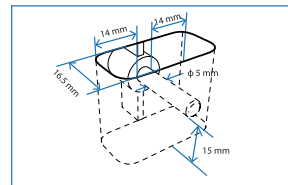
Use the shoulder strap

You can use a shoulder strap (not supplied) to carry this product. Attach the strap to the built-in pins on both sides on the top of the product, as shown below.



Note

- Most of the common shoulder straps can fit the built-in pins. It can be purchased from shops which provide bag accessories. The diameter of the pin is 5 mm and the length is 12.5 mm.



8 Product information

Note

- Product information is subject to change without prior notice.

Specifications

Amplifier

Total Output Power	Max. 50W
Frequency Response	50-20000 Hz, ± 3 dB
Signal to Noise Ratio (A-weighted)	≥ 78 dBA
Total Harmonic Distortion	< 1 %
Audio-in Input	650mV \pm 100mV

Disc

Laser Type	Semiconductor
Disc Diameter	12cm/8cm
Support Disc	CD-DA, CD-R, CD-RW, MP3-CD
Audio DAC	24Bits / 44.1kHz
Total Harmonic Distortion	< 3 % (1 kHz)
Frequency Response	4Hz - 20kHz (44.1kHz)
S/N Ratio (A-weighted)	≥ 80 dBA

Bluetooth

Bluetooth Version	V2.1+EDR
Supported Profiles	A2DP, AVRCP
Bluetooth Distance	10 m (Free space)
Frequency band/ Output power	2.400GHz - 2.483GHz ISM Band / ≤ 4 dBm (Class 2)

Tuner(FM)

Tuning Range	87.5 - 108MHz
Tuning Grid	50 kHz
- Mono, 26dB S/N Ratio	< 22 dBf
- Stereo, 46dB S/N Ratio	> 43 dBf
Search Selectivity	> 28 dBf
Total Harmonic Distortion	< 3 %
Signal to Noise Ratio	> 45 dB

Tuner(AM)

Tuning Range	AM: 530 - 1700 KHz
Tuning Grid	9 KHz
Mono, 26dB S/N Ratio	< 75 dBuV
Total Harmonic Distortion	< 5 %
Signal to Noise Ratio	> 45 dB

Amplifier

Speaker Impedance	4 Ω
Speaker Driver	2 x 4" full range
Sensitivity	83dB@1W/1m

General

Power supply	
- AC Power (Power Adapter A)	Brand name: PHILIPS;
	Model: HB40-1203001SPA;
	Input: AC 100-240V~, 50/60 Hz, 0.8 A Output: DC 12V \equiv 3000 mA;
- AC Power (Power Adapter B)	Brand name: PHILIPS;
	Model: GME36A-120300FBR;
	Input: 100-240V~, 50-60 Hz, 1.2 A Output: 12V \equiv 3 A;

Battery	8 × 1.5V D/R20 CELL/ UM1 batteries (not supplied)
Operation Power Consumption	20 W
Eco Standby Power Consumption	<0.5 W
Dimensions - Main Unit (W × H × D)	523 × 208 × 223 mm
Weight (Main Unit)	3.8 kg

Supported MP3 disc formats

- ISO9660, Joliet
- Maximum title number: 512 (depending on file name length)
- Maximum album number: 255
- Supported sampling frequencies: 32 kHz, 44.1kHz, 48 kHz
- Supported Bit-rates: 32~256 (kbps), variable bit rates

USB playability information

Compatible USB devices:

- USB flash memory (USB 2.0 or USB1.1)
- USB flash players (USB 2.0 or USB1.1)
- memory cards (requires an additional card reader to work with this apparatus)

Supported formats:

- USB or memory file format FAT12, FAT16, FAT32 (sector size: 512 bytes)
- MP3 bit rate (data rate): 32-320 Kbps and variable bit rate
- Directory nesting up to a maximum of 8 levels
- Number of albums/ folders: maximum 99
- Number of tracks/titles: maximum 999
- File name in Unicode UTF8 (maximum length: 128 bytes)

Unsupported formats:

- Empty albums: an empty album is an album that does not contain MP3/WMA files, and is not be shown in the display.
- Unsupported file formats are skipped. For example, Word documents (.doc) or MP3 files with extension .dlf are ignored and not played.
- AAC, WAV, PCM audio files
- DRM protected WMA files (.wav, .m4a, .m4p, .mp4, .aac)
- WMA files in Lossless format

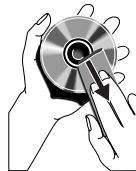
Maintenance

Clean the cabinet

- Use a soft cloth slightly moistened with a mild detergent solution. Do not use a solution containing alcohol, spirits, ammonia or abrasives.

Clean discs

- When a disc becomes dirty, clean it with a cleaning cloth. Wipe the disc from the centre out.



- Do not use solvents such as benzene, thinner, commercially available cleaners, or antistatic spray intended for analogue records.

Clean the disc lens

- After prolonged use, dirt or dust may accumulate at the disc lens. To ensure good play quality, clean the disc lens with Philips CD lens cleaner or any commercially available cleaner. Follow the instructions supplied with cleaner.

9 Troubleshooting



Warning

- Never remove the casing of this device.

To keep the warranty valid, never try to repair the system yourself.

If you encounter problems when using this device, check the following points before requesting service. If the problem remains unsolved, go to the Philips Web page (www.philips.com/support). When you contact Philips, make sure that the device is nearby and the model number and serial number are available.

No power

- Make sure that the AC power plug of the unit is connected properly.
- Make sure that there is power at the AC outlet.

No sound or poor sound

- Adjust the volume.

No response from the unit

- Disconnect and reconnect the AC power plug, then turn on the system again.
- As a power-saving feature, the unit switches off automatically 15 minutes after track play reaches the end and no control is operated.

USB device not supported

- The USB device is incompatible with the apparatus. Try another one.

No disc detected

- Insert a disc.
- Check if the disc is inserted upside down.
- Wait until the moisture condensation at the lens has cleared.
- Replace or clean the disc.
- Use a finalized CD or correct format disc.

Poor radio reception

- Increase the distance between the product and other electrical appliances.
- Fully extend and adjust the position of the telescopic antenna.
- Adjust the position of the product.

About Bluetooth device

The audio quality is poor after connection with a Bluetooth-enabled device.

- The Bluetooth reception is poor. Move the device closer to this product or remove any obstacle between them.

Cannot connect with the device.

- The Bluetooth function of the device is not enabled. Refer to the user manual of the device for how to enable the function.
- This product is already connected with another Bluetooth-enabled device. Disconnect that device and then try again.
- The product is not in pairing mode. Press and hold **PAIRING** for two seconds, and then try again.
- Press and hold **PAIRING** for ten seconds to clear Bluetooth pairing history, and then try again.

The paired device connects and disconnects constantly.

- The Bluetooth reception is poor. Move the device closer to this product or remove any obstacle between them.
- For some devices, Bluetooth connection may be deactivated automatically as a power-saving feature. This does not indicate any malfunction of this product.

10 Notice

Any changes or modifications made to this device that are not expressly approved by Gibson Innovations may void the user's authority to operate the equipment.

Compliance

Hereby, Gibson Innovations declares that this product is in compliance with the essential requirements and other relevant provisions of Directive 2014/53/EU. You can find the Declaration of Conformity on www.philips.com/support.

Care of the environment

Disposal of your old product



Your product is designed and manufactured with high quality materials and components, which can be recycled and reused.



This symbol on a product means that the product is covered by European Directive 2012/19/EU. Inform yourself about the local separate collection system for electrical and electronic products. Follow local rules and never dispose of the product with normal household waste. Correct disposal of old products helps prevent negative consequences for the environment and human health.

Environmental information

All unnecessary packaging has been omitted. We have tried to make the packaging easy to separate into three materials: cardboard (box), paper pulp (buffer) and polyethylene (bags, protective foam sheet.)

Your system consists of materials which can be recycled and reused if disassembled by a specialized company. Please observe the local regulations regarding the disposal of packaging materials, exhausted batteries and old equipment.

Trademark notice



The Bluetooth® word mark and logos are registered trademarks owned by Bluetooth SIG, Inc. and any use of such marks by Gibson Innovations Limited is under license. Other trademarks and trade names are those of their respective owners.

This apparatus includes this label:





Copyright © 2015 Gibson Innovations Limited. Revised Edition © 2017

This product has been manufactured by, and is sold under the responsibility of Gibson Innovations Ltd., and Gibson Innovations Ltd. is the warrantor in relation to this product.

Philips and the Philips Shield Emblem are registered trademarks of Koninklijke Philips N.V. and are used under license.

PX840T_05_UM_V3.0

