



EN	User manual	3
DE	Benutzerhandbuch	23
ES	Manual del usuario	43
FR	Mode d'emploi	63

IT	Manuale utente	83
NL	Gebruiksaanwijzing	103
PT	Manual do utilizador	123
SV	Användarhandbok	145

Contents

1	Important	4
	Safety	4
	Notice	4

2	Your Micro Music System	6
	Introduction	6
	What's in the box	6
	Overview of the main unit	7
	Overview of the remote control	8

3	Get started	10
	Connect speakers	10
	Connect power	10
	Prepare the remote control	10
	Demonstrate the unit's features	11
	Connect FM aerial	11
	Set clock	11
	Turn on	12
	Store radio stations automatically	12

4	Play	12
	Basic play operations	12
	Play from disc	13
	Play from USB	13
	Adjust sound	13

5	Play iPod/iPhone/iPad	14
	iPod/iPhone/iPad compatible	14
	Load the iPod/iPhone/iPad	14
	Listen to the iPod/iPhone/iPad	14
	Charge the iPod/iPhone/iPad	15
	Remove the iPod/iPhone/iPad	15

6	Listen to FM radio	15
	Tune to FM radio stations	15
	Program radio stations automatically	15
	Program radio stations manually	16
	Tune to a preset radio station	16
	Show RDS information	16

7	Other features	17
	Set alarm timer	17
	Set sleep timer	17
	Listen to external audio device	17
	Listen through headphone	18

8	Product information	18
	Specifications	18
	USB playability information	19
	Supported MP3 disc formats	19

9	Troubleshooting	20
	Picture	20
	Sound	20
	Play	20
	Others	21

1 Important

Safety



This 'bolt of lightning' indicates uninsulated material within your unit may cause an electrical shock. For the safety of everyone in your household, please do not remove product covering.

The 'exclamation point' calls attention to features for which you should read the enclosed literature closely to prevent operating and maintenance problems.

WARNING: To reduce the risk of fire or electric shock, this apparatus should not be exposed to rain or moisture and objects filled with liquids, such as vases, should not be placed on this apparatus.

CAUTION: To prevent electric shock, match wide blade of plug to wide slot, fully insert.

Warning

- Never remove the casing of this apparatus.
- Never lubricate any part of this apparatus.
- Never place this apparatus on other electrical equipment.
- Keep this apparatus away from direct sunlight, naked flames or heat.
- Ensure that you always have easy access to the power cord, plug or adaptor to disconnect the apparatus from the power.

- The device shall not be exposed to dripping or splashing.

- Do not place any source of danger on the device (e.g. liquid filled objects, lit candles).
- Where the MAINS plug or an appliance coupler is used as the disconnect device, the disconnect device shall remain readily operable.

Hearing Safety

Caution

- To avoid hearing damage, limit the time you use the headphones at high volume and set the volume to a safe level. The louder the volume, the shorter is the safe listening time.

Be sure to observe the following guidelines when using your headphones.

- Listen at reasonable volumes for reasonable periods of time.
- Be careful not to adjust the volume continuously upwards as your hearing adapts.
- Do not turn up the volume so high that you can't hear what's around you.
- You should use caution or temporarily discontinue use in potentially hazardous situations.
- Excessive sound pressure from earphones and headphones can cause hearing loss.

Notice



This product complies with the radio interference requirements of the European Community.

This product complies with the requirements of the following directives and guidelines: 2004/108/EC + 2006/95/EC

Any changes or modifications made to this device that are not expressly approved by Philips Consumer Lifestyle may void the user's authority to operate the equipment.



Your product is designed and manufactured with high quality materials and components, which can be recycled and reused.



When this crossed-out wheeled bin symbol is attached to a product it means that the product is covered by the European Directive 2002/96/EC.

Please inform yourself about the local separate collection system for electrical and electronic products.

Please act according to your local rules and do not dispose of your old products with your normal household waste. Correct disposal of your old product helps to prevent potential negative consequences for the environment and human health.



Your product contains batteries covered by the European Directive 2006/66/EC, which cannot be disposed with normal household waste. Please inform yourself about the local rules on separate collection of batteries because correct disposal helps to prevent negative consequences for the environmental and human health.

Environmental information

All unnecessary packaging has been omitted. We have tried to make the packaging easy to separate into three materials: cardboard (box), polystyrene foam (buffer) and polyethylene (bags, protective foam sheet.)

Your system consists of materials which can be recycled and reused if disassembled by a specialized company. Please observe the local regulations regarding the disposal of packaging materials, exhausted batteries and old equipment.



Be responsible Respect copyrights

The making of unauthorized copies of copy-protected material, including computer programs, files, broadcasts and sound recordings, may be an infringement of copyrights and constitute a criminal offence. This equipment should not be used for such purposes.

Made for



"Made for iPod," "Made for iPhone," and "Made for iPad" mean that an electronic accessory has been designed to connect specifically to iPod, iPhone, or iPad, respectively, and has been certified by the developer to meet Apple performance standards. Apple is not responsible for the operation of this device or its compliance with safety and regulatory standards. Please note that the use of this accessory with iPod, iPhone, or iPad may affect wireless performance.

iPod and iPhone are trademarks of Apple Inc., registered in the U.S. and other countries. iPad is a trademark of Apple Inc.

This apparatus includes this label:



Note

- The type plate is located on the bottom of the apparatus.

Norge

Typeskilt finnes på apparatens underside. Observer: Nettbryteren er sekundert innkopleet. Den innebygde nettdelen er derfor ikke frakopleet nettet så lenge apparatet er tilsluttet nettkontakten.

For å redusere faren for brann eller elektrisk støt, skal apparatet ikke utsettes for regn eller fuktighet.

2 Your Micro Music System

Congratulations on your purchase, and welcome to Philips! To fully benefit from the support that Philips offers, register your product at www.philips.com/welcome.

Introduction

With this unit, you can:

- enjoy audio from discs, USB devices, iPod, iPhone, iPad, and other external devices
- listen to radio stations

You can enrich sound output with these sound effects:

- Digital Sound Control (DSC)
- Dynamic Bass Boost (DBB)

The unit supports these media formats:

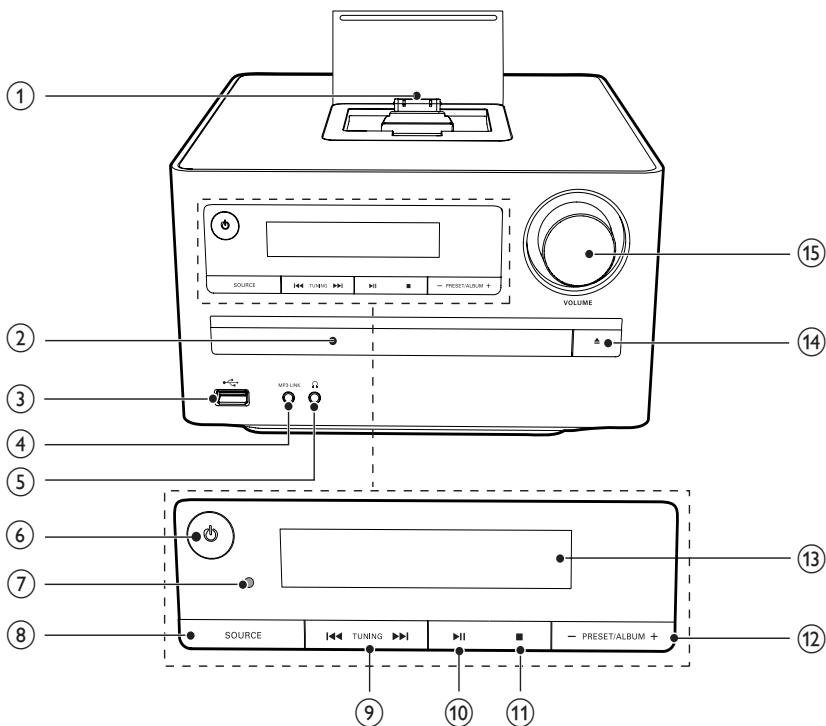


What's in the box

Check and identify the contents of your package:

- Main unit
- Remote control
- Speaker boxes (×2)
- FM antenna
- User manual
- Quick start guide

Overview of the main unit



① Dock for iPod/iPhone/iPad

② Disc compartment

- Hold the disc.

③ USB

- USB socket.

④ MP3 LINK

- Connect external audio device.

⑤ Headphone

- Headphone socket.

⑥ Power

- Turn on the apparatus, switch to standby mode, or Eco Power standby mode.

⑦ IR sensor

- Detect signals from the remote control. Always point the remote control at the IR sensor.

⑧ SOURCE

- Select a source.

⑨ TUNING

- Skip to previous/next track.
- Search within a track/disc.
- Tune to a radio station.

⑩ Play/Pause

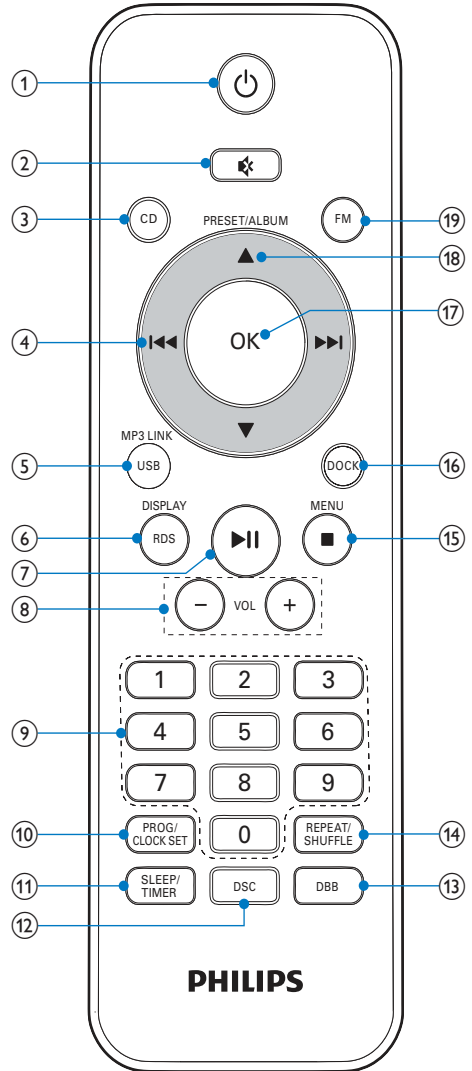
- Start or pause play.

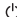



⑪ Stop

- Stop play.
- Erase a program.

- ⑫ - PRESET/ALBUM+
 - Skip to previous/next album.
 - Select a preset radio station.
 - Navigate through iPod/iPhone/iPad menu.
- ⑬ Display panel
 - Show current status.
- ⑭ ▲
 - Open or close the disc tray.
- ⑮ VOLUME
 - Adjust volume.
 - Adjust time.

Overview of the remote control



- ①  Turn on the unit.
- Switch to standby or Eco Power standby mode.
- ②  Mute volume.
- Mute volume.
- ③ **CD**
- Select CD source.
- ④  Skip to previous/next track.
- Search within a track/disc.
 - Tune to a radio station.
- ⑤ **USB/ MP3 LINK**
- ⑥ **RDS/DISPLAY**
- For selected FM radio stations: display RDS information.
 - Synchronize clock with RDS station.
 - Display play information.
- ⑦  Start or pause play.
- Start or pause play.
- ⑧ **VOL +/-**
- Adjust volume.
- ⑨ **Numeric keypad**
- Select a track directly.
- ⑩ **PROG/CLOCK SET**
- Program tracks.
 - Program radio stations.
 - Set clock.
- ⑪ **SLEEP/TIMER**
- Set sleep timer.
 - Set alarm timer.
- ⑫ **DSC**
- Select a preset sound setting.
- ⑬ **DBB**
- Turn on or off dynamic bass enhancement.
- ⑭ **REPEAT/SHUFFLE**
- Play tracks randomly.
 - Select a repeat play mode.
- ⑮ **■ /MENU**
- Stop play.
 - Erase a program.
 - Access iPod/iPhone/iPad menu.
- ⑯ **DOCK**
- Select the dock source for iPod/iPhone/iPad.
- ⑰ **OK**
- Confirm a selection.
 - Select FM stereo or FM mono.
- ⑱ **PRESET/ALBUM ▲ / ▼**
- Skip to previous/next album.
 - Select a preset radio station.
 - Navigate through iPod/iPhone/iPad menu.
- ⑲ **FM**
- Select FM radio source.

3 Get started

! Caution

- Use of controls or adjustments or performance of procedures other than herein may result in hazardous radiation exposure or other unsafe operation.

Always follow the instructions in this chapter in sequence.

If you contact Philips, you will be asked for the model and serial number of this apparatus. The model number and serial number are on the bottom of the apparatus. Write the numbers here:

Model No. _____

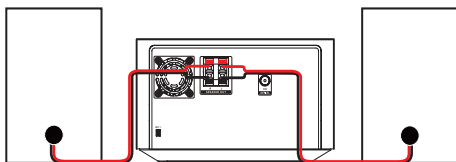
Serial No. _____

Connect speakers

≡ Note

- For optimal sound, use the supplied speakers only.
- Connect only speakers with impedance that is the same or higher than the supplied speakers. Refer to the Specifications section of this manual.

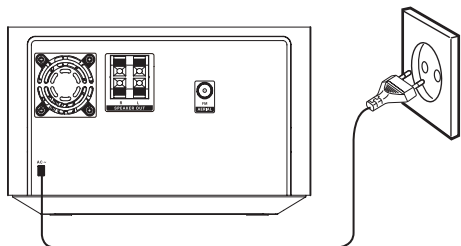
- 1 Insert the speaker wires completely into the speaker input sockets on the back of the unit.



Connect power

! Caution

- Risk of product damage! Ensure that the power supply voltage corresponds to the voltage printed on the back or the underside of the unit.
- Risk of electric shock! When you unplug the AC power cord, always pull the plug from the socket. Never pull the cord.
- Before you connect the AC power cord, ensure that you have completed all other connections.



- 1 Connect the power cable to the wall socket.

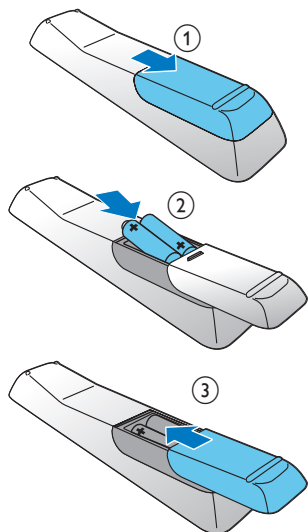
Prepare the remote control

! Caution

- Risk of explosion! Keep batteries away from heat, sunshine, or fire. Never discard batteries in fire.

To insert the remote control battery:

- 1 Open the battery compartment.
- 2 Insert 2 AAA batteries with correct polarity (+/-) as indicated.
- 3 Close the battery compartment.



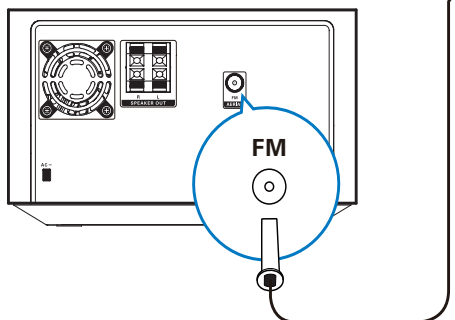
Note

- If you are not going to use the remote control for a long time, remove the batteries.
- Do not use old and new or different types of batteries in combination.
- Batteries contain chemical substances, so they should be disposed of properly.

Demonstrate the unit's features

- 1 In the standby mode, press **■** until "DEMO ON" is displayed.
 - ↳ This system's features are displayed one by one.
 - To turn off the demonstration, press **■** again.

Connect FM aerial



Tip

- For optimal reception, fully extend and adjust the position of the antenna.
- For better FM stereo reception, connect an outdoor FM antenna to the **FM AERIAL** socket.
- The unit does not support MW radio reception.

- 1 Connect the supplied FM antenna to the **FM AERIAL** socket on the main unit.

Set clock

- 1 In standby mode, press **PROG/CLOCK SET** for 3 seconds to activate clock setting mode.
 - ↳ **[CLOCK SET]** scrolls on the display, then the time format **[24H]** and **[12H]** appears.
- 2 Press **▲ / ▼** to select 24H or 12H, then press **PROG/CLOCK SET** to confirm.
 - ↳ The hour digits begin to blink.
- 3 Press **▲ / ▼** to set hour; then press **PROG/CLOCK SET** again.
 - ↳ The minute digits begin to blink.
- 4 Press **▲ / ▼** to set minute.
- 5 Press **PROG/CLOCK SET** to confirm the clock setting.

Note

- To exit clock setting mode without storing, press ■.
- If no button is pressed in 90 seconds, the system exits clock setting mode automatically.

Turn on

- 1 Press ϕ .
 - ↳ The unit switches to the last selected source.

Switch to standby mode

- 1 Press ϕ for over 3 seconds to switch the unit to Eco Power Standby mode.
 - ↳ The backlight on the display panel turns off.

To switch the unit to standby mode:

- 1 In Eco Power Standby mode, press ϕ for over 3 seconds.
 - ↳ The clock (if set) appears on the display panel.

Store radio stations automatically

If no radio stations are stored, the unit can store radio stations automatically.

- 1 Turn on the unit.
- 2 Press **FM**.
 - ↳ **[AUTO INSTALL -- PRESS PLAY -- STOP CANCEL]** (press $\blacktriangleright\parallel$ to start automatic installation, or press ■ to cancel) is displayed.
- 3 Press $\blacktriangleright\parallel$.
 - ↳ The unit automatically stores radio stations with sufficient signal strength.
 - ↳ After all available radio stations are stored, the first stored radio station is broadcast automatically.

4 Play

Basic play operations

You can control play through following operations.

Key	Function
$\blacktriangleleft\blacktriangleleft / \blacktriangleright\blacktriangleright$	To select a track or file. Press and hold to fast-forward/fast-reverse the track during playback, then release to resume play.
$\blacktriangleright\parallel$	To pause/resume play during playback.
DISPLAY	To select different play information.
REPEAT/SHUFFLE	To select a repeat play mode: [REP] (repeat): play current track repeatedly. [REP ALL] (repeat all): play all tracks repeatedly. [SHUF] (shuffle): play tracks randomly. Press repeatedly to return to normal play.

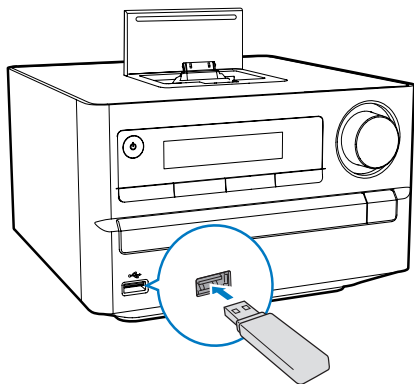
Note

- You can also use numeric keys to select a track. If you want to select a track number larger than 10, press the first number, and then press the second number within 3 seconds. For example, if you want to select track 15, press the numeric key "1", and then press "5" within 3 seconds.

Play from disc

- 1 Press **CD** to select the CD source.
- 2 Press **OPEN/CLOSE**.
↳ The disc compartment opens.
- 3 Place a disc with the printed side facing up, then press **▲**.
- 4 Play starts automatically.
 - If play does not start, press **◀◀ / ▶▶** to select a track, then press **▶▶**.

Play from USB



Ensure that the USB device contains playable audio contents for supported formats.

- 1 Insert the USB device into the USB socket.
- 2 Press **USB** to select the USB source.
↳ Play starts automatically. If not, press **PRESET/ALBUM** to select a folder and **◀◀ / ▶▶** to select a file. Then press **OK** to start play.

Adjust sound

During play, you can adjust volume through following operations.

Key	Function
VOL +/-	To increase/decrease the volume.
⊘	To mute/restore sound.
DBB	To turn on or off dynamic bass enhancement. If DBB is activated, [DBB] is displayed.
DSC	To select your desired sound effect: [POP] (pop) [JAZZ] (jazz) [ROCK] (rock) [FLAT] (flat) [CLASSIC] (classic)

5 Play iPod/iPhone/iPad

This system is equipped with a dock for iPod/iPhone/iPad. You can enjoy audio from the docked system through the powerful speakers.

iPod/iPhone/iPad compatible

The unit supports these iPod, iPhone and iPad models:

Made for:

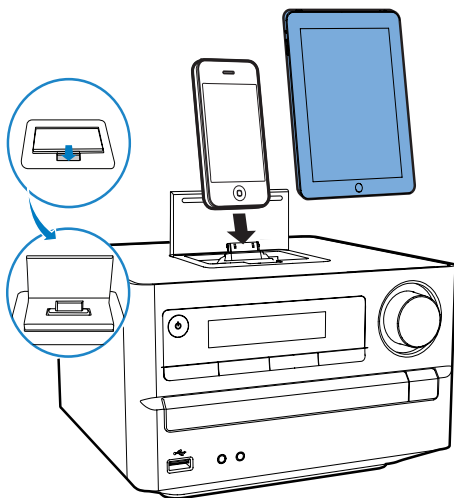
- iPod touch (1st, 2nd, 3rd, and 4th generation)
- iPod classic
- iPod with video
- iPod nano (1st, 2nd, 3rd, 4th, 5th, and 6th generation)
- iPod with color display
- iPod mini
- iPhone 4
- iPhone 3GS
- iPhone 3G
- iPhone
- iPad 2
- iPad

Note

- iPod with color display, iPod classic, and iPod with video are not compatible with dock charging.

Load the iPod/iPhone/iPad

- 1 Push the lock key to open the lid of the dock.
- 2 Load the iPod/iPhone/iPad onto the dock.



Listen to the iPod/iPhone/iPad

- 1 Press the button **DOCK** on your RC.
- 2 Load your iPod/iPhone/iPad.
- 3 Play the selected track on your iPod/iPhone/iPad.
 - To pause/resume the play, press **▶||**.
 - To search during play: press and hold **◀◀ / ▶▶**, then release to resume normal play.
 - To scroll through the menu, press **▲ / ▼**.
 - To confirm a selection, press **OK** to confirm.

Charge the iPod/iPhone/iPad

When the unit is connected to power, the docked iPod/iPhone/iPad starts charging.



Tip

- For certain iPod models, it may take up to a minute before the charging indication appears.

Remove the iPod/iPhone/iPad

- 1 Unload the iPod/iPhone/iPad from the dock.
- 2 Flip down the lid to hide the dock.

6 Listen to FM radio

Tune to FM radio stations



Note

- Ensure that you have connected and fully extended the supplied FM antenna.

- 1 Press **FM**.
- 2 Press and hold **◀◀** / **▶▶** to tune to a radio station.
- 3 When the frequency starts to change, release the button.
 - ↳ The FM tuner tunes to a station with strong reception automatically.
- 4 Repeat steps 2-3 to tune to more stations.

To tune to a weak station:

Press **◀◀** / **▶▶** repeatedly until you find optimal reception.

Program radio stations automatically



Note

- You can program a maximum of 20 preset radio stations.

- 1 In FM tuner mode, press **PROG/CLOCK SET** for 3 seconds to activate automatic programming.
 - ↳ **[AUTO]** (auto) is displayed.
 - ↳ The unit stores all the FM radio stations automatically and then broadcasts the first preset radio station.

Program radio stations manually

Note

- You can program a maximum of 20 preset radio stations.

- 1 Tune to a radio station.
- 2 Press **PROG/CLOCK SET** to activate programming mode.
- 3 Press **▲ / ▼** to select a number from 1–20 for this radio station, then press **PROG/CLOCK SET** to confirm.
 - ↳ The preset number and the frequency of the preset station are displayed.
- 4 Repeat steps 2-3 to program other stations.

Note

- To overwrite a programmed station, store another station in its place.

Tune to a preset radio station

- 1 Press **▲ / ▼** to select a preset number.

Show RDS information

RDS (Radio Data System) is a service that allows FM stations to show additional information. If you tune to an RDS station, an RDS icon and the station name are displayed.

- 1 Tune to an RDS station.

- 2 Press **RDS** repeatedly to scroll through the following information (if available):
 - ↳ Station name
 - ↳ Program type such as **[NEWS]** (news), **[SPORT]** (sport), **[POP M]** (pop music)..
 - ↳ RDS clock
 - ↳ Frequency

Synchronize clock with RDS

You can synchronize time shown on the unit with that on the RDS station.

- 1 Tune to a RDS radio station that transmits time signals.
- 2 Press **RDS** for over 2 seconds.
 - ↳ **[CT SYNC]** is displayed and the unit reads RDS time automatically.
 - ↳ If no time signal is received, **[NO CT]** is displayed.

Note

- The accuracy of the transmitted time depends on the RDS station that transmits the time signal.

7 Other features

Set alarm timer

This unit can be used as an alarm clock. You can select DISC, iPod/iPhone/iPad, playlist, TUNER or USB as alarm source.

Note

- Make sure that you have set the time correctly.

- 1 In standby mode, press and hold **SLEEP/TIMER** until **[TIMER SET]**(timer set) scrolls on the display.
↳ **[SELECT SOURCE]** (select source) scrolls on the screen.
- 2 Press **SOURCE** repeatedly to select a source: DISC, USB, TUNER, iPod/iPhone/iPad or playlist.
 - If iPod/iPhone/iPad playlist is selected as the alarm source, you need create a playlist called "PHILIPS" in your iPod/iPhone/iPad.
 - If no playlist called "PHILIPS" is created in the iPod/iPhone/iPad or no track is stored in the playlist, the unit switches to TUNER alarm source.
- 3 Press **SLEEP/TIMER** to confirm.
↳ The hour digits are displayed and begin to blink.
- 4 Press **▲ / ▼** repeatedly to set hour, then press **SLEEP/TIMER** again to confirm.
↳ The minute digits are displayed and begin to blink.
- 5 Press **▲ / ▼** to set minute, then press **SLEEP/TIMER** to confirm.
↳ **VOL** (volume) is displayed and begins to blink.
- 6 Press **▲ / ▼** to adjust volume, then press **SLEEP/TIMER** to confirm.
↳ **⊕** is displayed.

Activate/deactivate alarm timer

- 1 In standby mode, press **SLEEP/TIMER** repeatedly to activate or deactivate timer.
↳ If timer is activated, **⊕** is displayed.

Note

- Alarm timer is not available in MP3 LINK mode.
- If DISC/USB/iPod/iPhone/iPad source is selected, yet no disc is placed or no USB/iPod/iPhone/iPad connected, the system switches to the tuner source automatically.
- If no playlist named "PHILIPS" exists in the iPod/iPhone/iPad or the playlist includes no playable track, this product switches the alarm source to iPod/iPhone/iPad library.

Set sleep timer


- 1 When the unit is turned on, press **SLEEP/TIMER** repeatedly to select a time period (in minutes).
↳ When sleep timer is activated, **zZ** is displayed.
↳ To deactivate sleep timer, press **SLEEP/TIMER** again until **zZ** disappears.

Listen to external audio device

You can listen to an external audio device such as MP3 player through this unit.

- 1 Connect the audio device.
 - For audio device with headphone sockets:
Connect MP3 Link cable to the **MP3 LINK** socket and to the headphone socket on the audio device.
- 2 Select **MP3 LINK** source.
- 3 Play the device.

Listen through headphone

- 1 Plug a headphone into the  socket on the unit.

8 Product information

 **Note**

- Product information is subject to change without prior notice.

Specifications

Amplifier

Rated Output Power	2X10W RMS
Frequency Response	40Hz-20kHz, ± 3 dB
Signal to Noise Ratio	>77dB
MP3-Link Input	600mV RMS 22 kohm

Disc

Laser Type	Semiconductor
Disc Diameter	12cm/8cm
Support Disc	CD-DA, CD-R, CD-RW, MP3-CD, WMA-CD
Audio DAC	24Bits / 44.1kHz
Total Harmonic Distortion	<0.8% (1 kHz)
Frequency Response	4Hz - 20kHz (44.1kHz)
S/N Ratio	>75dBA

Tuner (FM)

Tuning Range	87.5 - 108MHz
Tuning grid	50 KHz
Sensitivity	
- Mono, 26dB S/N Ratio	< 22 dBf
- Stereo, 46dB S/N Ratio	< 43 dBf
Search Selectivity	>28 dBf
Total Harmonic Distortion	<2%
Signal to Noise Ratio	>55 dB

Speakers

Speaker Impedance	6 ohm
Speaker Driver	10 cm full range
Sensitivity	>84dB/m/W ± 4dB/m/W

General information

AC power	220-240V ~, 50/60Hz
Operation Power Consumption	25W
Eco Standby Power Consumption	<0.5W
USB Direct	Version 2.0 HS
Dimensions	
- Main Unit	
(W × H × D)	200 × 118 × 210mm
- Speaker Box	
(W × H × D)	140 × 224 × 144mm
Weight	
- Main Unit	1.35 kg
- Speaker Box	1.05 kg × 2

USB playability information

Compatible USB devices:

- USB flash memory (USB 2.0 or USB1.1)
- USB flash players (USB 2.0 or USB1.1)

- memory cards (requires an additional card reader to work with this unit)

Supported formats:

- USB or memory file format FAT12, FAT16, FAT32 (sector size: 512 bytes)
- MP3 bit rate (data rate): 32-320 Kbps and variable bit rate
- WMA v9 or earlier
- Directory nesting up to a maximum of 8 levels
- Number of albums/ folders: maximum 99
- Number of tracks/titles: maximum 999
- ID3 tag v2.0 or later
- File name in Unicode UTF8 (maximum length: 64 bytes)

Unsupported formats:

- Empty albums: an empty album is an album that does not contain MP3/WMA files, and is not be shown in the display.
- Unsupported file formats are skipped. For example, Word documents (.doc) or MP3 files with extension .dlf are ignored and not played.
- AAC, WAV, PCM audio files
- DRM protected WMA files (.wav, .m4a, .m4p, .mp4, .aac)
- WMA files in Lossless format

Supported MP3 disc formats

- ISO9660, Joliet
- Maximum title number: 512 (depending on file name length)
- Maximum album number: 255
- Supported sampling frequencies: 32 kHz, 44.1kHz, 48 kHz
- Supported Bit-rates: 32~320 (kbps), variable bit rates

9 Troubleshooting



Warning

- Never remove the casing of this apparatus.

To keep the warranty valid, never try to repair the system yourself.

If you encounter problems when using this apparatus, check the following points before requesting service. If the problem remains unsolved, go to the Philips web site (www.philips.com/welcome). When you contact Philips, ensure that the apparatus is nearby and the model number and serial number are available.

No power

- Ensure that the AC cord of the apparatus is connected properly.
- Ensure that there is power at the AC outlet.
- As a power-saving feature, the system switches off automatically 15 minutes after track play reaches the end and no control is operated.

Picture

No picture

- Check the video connection.
- Turn on the TV to the correct Video-In channel.
- Progressive scan is activated but the TV does not support progressive scan.

Black and white or distorted picture

- The disc does not match the TV color system standard (PAL/NTSC).
- Sometimes a slight picture distortion may appear. This is not a malfunction.
- Clean the disc.
- A distorted picture may appear during progressive scan setup.

The aspect ratio of the TV screen cannot be changed even though you have set the TV display format.

- The aspect ratio is fixed on the loaded DVD disc.
- The aspect ratio may not be changed for some TV systems.

The disc does not play high-definition video.

- Make sure that the disc contains highdefinition video.
- Make sure that the TV supports highdefinition video.

Sound

No audio output from the TV.

- Ensure that the audio cables are connected to the audio input of the TV.
- Assign the audio input of the TV to the corresponding video input. See the TV user manual for details.

No sound or poor sound

- Adjust the volume.
- Disconnect the headphones.
- Check that the speakers are connected correctly.

No audio output from the loudspeakers of the audio device (stereo system/amplifier/receiver).

- Ensure that the audio cables are connected to the audio input of the audio device.
- Turn on the audio device to its correct audio input source.

Play

No disc detected

- Insert a disc.
- Check if the disc is inserted upside down.
- Wait until the moisture condensation at the lens has cleared.
- Replace or clean the disc.
- Use a finalized CD or correct format disc.

Disc does not play

- Insert a readable disc with the label side facing you.
- Check the disc type, color system and regional code. Check for any scratches or smudges on the disc.
- Press SYSTEM MENU to exit the system setup menu.
- Disable the password for parental control or change the rating level.
- Moisture has condensed inside the system. Remove the disc and leave the system turned on for about an hour. Disconnect and reconnect the AC power plug, and then turn on the system again.
- As a power-saving feature, the system turns off automatically 15 minutes after disc play reaches the end and no control is operated.

Remote control does not work

- Before you press any function button, first select the correct source with the remote control instead of the main unit.
- Reduce the distance between the remote control and the unit.
- Insert the battery with its polarities (+/- signs) aligned as indicated.
- Replace the battery.
- Aim the remote control directly at the sensor on the front of the unit.

Audio or subtitle languages cannot be set

- The disc is not recorded with sound or subtitles in multiple languages.
- The audio or subtitle language setting is prohibited on the disc.

DivX video files cannot be played.

- Make sure that the DivX video file is complete.
- Make sure that the file extension is correct.
- Due to Digital Rights issue, the DRMprotected video files stored on a USB storage device cannot be played through an analog video connection (e.g. composite, component, and scart). Transfer

the video content onto a supported disc to play these files.

Others**Poor radio reception**

- Increase the distance between the apparatus and your TV or VCR.
- Fully extend the FM antenna.
- Connect an outdoor FM antenna instead.

Cannot display some files in USB device

- The number of folders or files in the USB device has exceeded a certain limit. This phenomenon is not a malfunction.
- The formats of these files are not supported.

USB device not supported

- The USB storage device is incompatible with the unit. Try another one.

Timer does not work

- Set the clock correctly.
- Switch on the timer.

Clock/timer setting erased

- Power has been interrupted or the power cord has been disconnected.
- Reset the clock/timer.

