



ENG Quick Start Guide

PHILIPS

English

Install the car audio

These instructions are for a typical installation. However, if your car has different requirements, make the corresponding adjustments. If you have any questions regarding installation, consult your Philips car audio dealer.

Caution

- This unit is designed for negative ground (earth) 12 V DC operation only.
- Always install this unit in the car dashboard.
- Do not connect the power wires to the rear of the unit leads to obstructions.
- To avoid short-circuit, before you connect, ensure that the ignition is off.
- Ensure that you connect the yellow and red electrical tape. Also after other leads are connected.
- Ensure that all loose leads are insulated with electrical tape.
- Some car parts that will make the car start (such as the horn, the door lock, the wiper, the common ground (earth) point).
- Use only the supplied mounting hardware for the unit.
- Improper force can cause damage or fire. When you need to charge the fuse, consult a professional.

Note on the power supply lead (yellow)

- When you connect the power supply lead to the system, ensure that the starting of the car circuit is higher than the total fuse value of all the connected devices.

Note on speaker connection

- Never connect speaker wires to the metal body or chassis of the car.
- Never connect speaker wires with strips to one another.

Turn on

Caution

- Ensure that all loose leads are insulated with electrical tape.
- Risk of road accident! Never switch video or other settings while you drive.
- Check the car's wiring carefully, then do the other connections.

Note

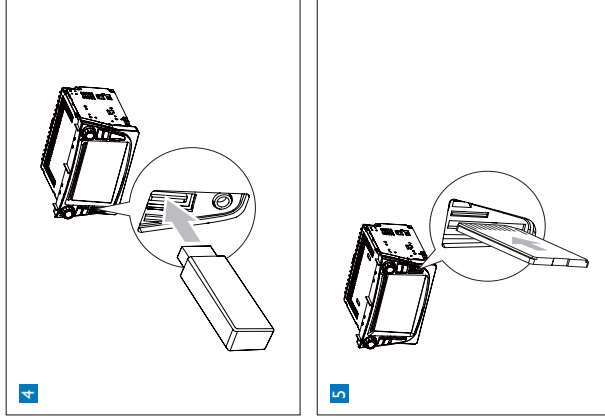
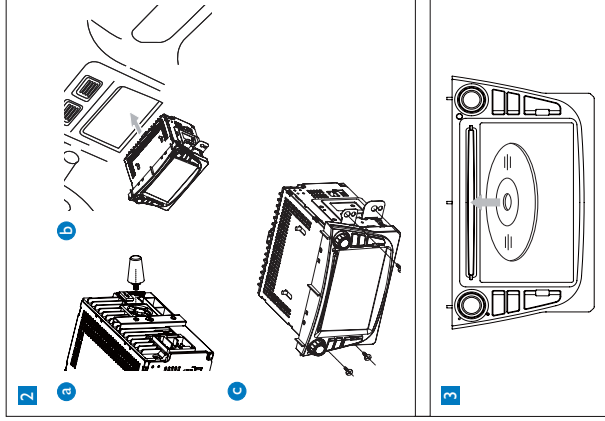
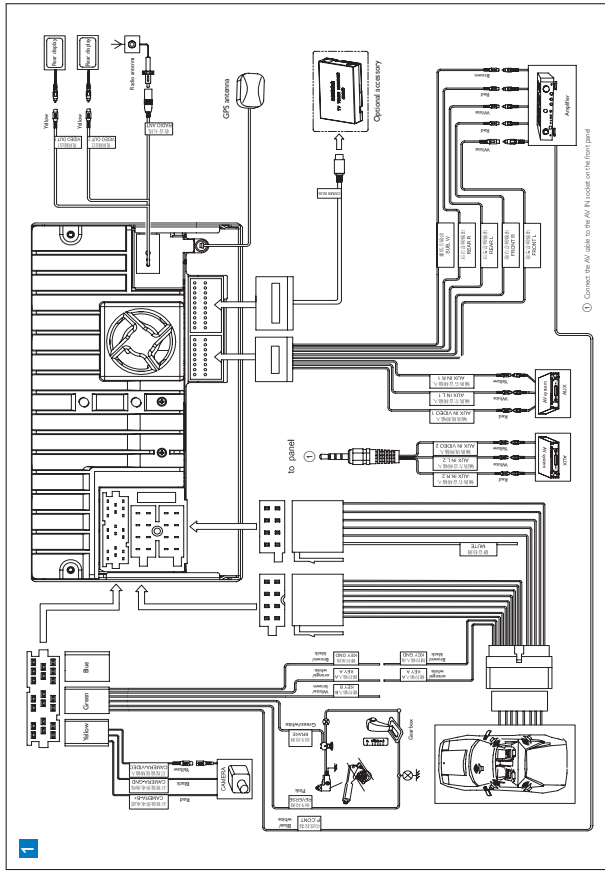
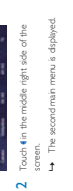
- If the car does not have an on-board device or navigation computer, disconnect the negative terminal of the car battery.
- If you disconnect the car battery in a car that has an on-board device or navigation computer, the computer may lose its memory.
- If the car battery is not disconnected, to avoid short-circuit, ensure that bare wires do not touch each other.

Set date and time

- Touch the upper left corner to display main menu.
- Take out the original car audio and keep the screws.
- Mount the plastic screw that is taken off from the original car audio onto the backside of the unit.
- Slide the unit into the dashboard until a click sound is heard.
- Mount on the screws.
- Reconnect the negative terminal of the car battery.

Connect wires 1

- Ensure that all loose leads are insulated with electrical tape.
- Check the car's wiring carefully, then do the other connections.



- Touch [Time].
- Touch on the displayed time.
- Press \odot to turn on the unit.
- Touch [Time].

Set date

- Touch [Date].
- Touch on the displayed date information.

Set clock mode

- Touch \blacktriangleleft or \blacktriangleright to set year, month and day.
- Touch [Clock mode].

Use map

- You may need to upgrade the map before using it. (See "Upgrade the map" section).



- When display time is set, touch \rightarrow first and then touch \rightarrow to return to main menu.
- Touch \blacktriangleleft or \blacktriangleright to set hour and minutes.

Adjust screen

- To adjust screen brightness/contrast/color
- Press \blacktriangleleft or \blacktriangleright to select an item.
- Press \blacktriangleleft or \blacktriangleright to adjust the value.
- Press \blacktriangleleft or \blacktriangleright to confirm.

Listen to Radio

- Touch the upper left corner to display home menu.
- Touch [Radio].

Play disc

- You can play video, audio or images stored on the following discs:
- DVD video, DVD-R, DVD-RW
- VCD
- Audio CD, CD-R, CD-RW

DVD region code

Region code	Country
8	China

- Insert the disc into the disc slot with label side facing up.
- Touch \blacktriangleleft or \blacktriangleright to select the disc.
- When the disc is pressed the \blacktriangleleft button, touch \blacktriangleleft or \blacktriangleright to select the disc.
- Select "CD/287" in the pairing list.



- Touch on the upper left corner to display home menu.
- Touch [Navigation].

Play USB device

- Note
- Ensure that the device contains playable content.
- Open the USB door.
- Insert the USB device to the USB socket.
- Play starts automatically.

Play SD/MMC card

- Note
- Ensure that the device contains playable content.
- Open the SD/MMC card cover.
- Insert the SD/MMC card into the SD/MMC card slot.
- Play starts automatically.

Play with Bluetooth device

- Pair the Bluetooth device to the unit. Pairing needs You or car to be off.
- Search for Bluetooth device with the device.
- Select "CD/287" in the pairing list.



- Touch on FM or AM to select band.
- FM band options: FM1, FM2, FM3
- AM band options: AM1, AM2
- Beatty touch \rightarrow to tune to a radio station by step.
- Touch \blacktriangleleft or \blacktriangleright for over 1 seconds to tune to a radio station automatically.

Make a call

- Pair the phone with the unit.
- Touch the upper left corner to display the home menu.
- Touch [Bluetooth].

Receive call

- By default, all incoming calls are received automatically. If there is an incoming call, [Incoming call.] flashes on the screen. Speak into the Bluetooth microphone.
- When conversation ends, touch \times to terminate the call.

Make a call

- Enter default password "0000".
- Pairing success, phone call record is displayed.

Play USB device

- Note
- Ensure that the device contains playable content.
- Open the USB door.
- Insert the USB device to the USB socket.
- Play starts automatically.

- Touch \blacktriangleleft or \blacktriangleright to select the parent phone, then touch \rightarrow .
- Touch \blacktriangleleft or \blacktriangleright to search for phone number from the following list.

Pair the Bluetooth-enabled devices

- Search for Bluetooth device with the device.
- Select "CD/287" in the pairing list.