

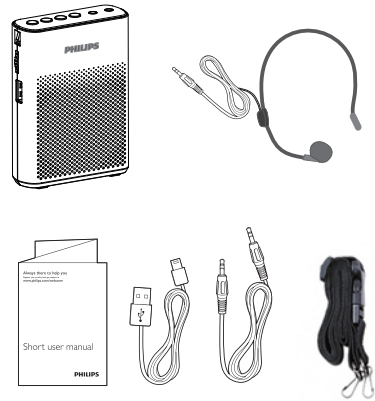


CN-SBM200/93
擴音器

快速操作指南

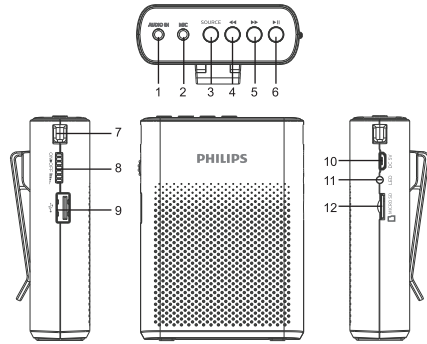


在以下網站上註冊產品並獲得支持
www.philips.com/support



EN Before using your product, read all accompanying safety information.

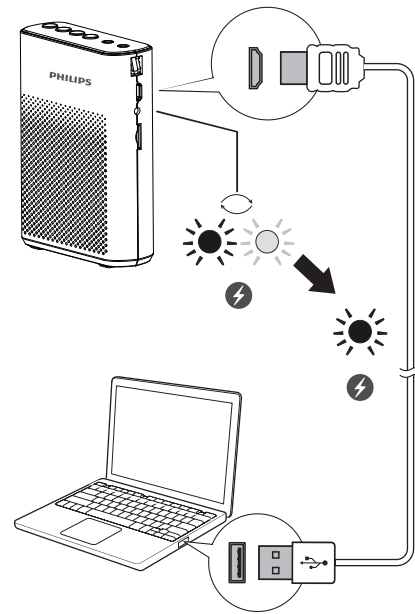
ZH-CN 使用產品之前，請先閱讀所有隨附的安全信息。



- | | |
|--------------------|--------------------------------|
| 1. AUDIO IN 音頻輸入插孔 | 8. POWER ON/OFF VOL+ 開關/音量大小調節 |
| 2. MIC IN 麥克風輸入插孔 | 9. USB 插孔 |
| 3. SOURCE 信號源輸入選擇 | 10. MICRO USB 插孔 |
| 4. ◀◀ 上一曲 | 11. INDICATOR 電源指示燈 |
| 5. ▶▶ 下一曲 | 12. TF CARD 插孔 |
| 6. ▶ 播放/暫停 | |
| 7. HOOK 金屬掛鉤 | |

EN Tips: The USB interface does not provide the charging function of the external equipment.

ZH-CN 溫馨提示：USB插孔不提供對外設備充電功能。



EN

Indicator status

- Solid Blue while working.
- Blinking Red while charging. Solid Red when fully charged
- Blinking Red continuously while low battery, and voice prompts will remind you the speaker is running out of battery.

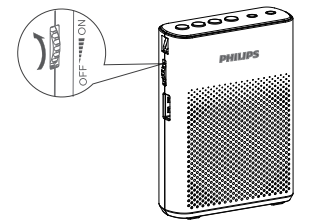
Tips: It takes around 3 hours to get the battery fully charged.

ZH-CN

指示燈狀態

- 工作時，藍燈常亮。
- 充電時紅燈閃爍，充滿電時，紅燈常亮。
- 電量低電時，紅燈快閃，同時又有語音提醒“電量不足請及時充電”。

溫馨提示：電池從無電到充滿狀態，大約需要3小時。



EN Power On/Off

Rotate the volume knob clockwise/anticlockwise to turn the speaker on or off.

Tips: The speaker will automatically enter into power-saving mode after 15 minutes of being idle. You need to switch the button off and then switch on to wake up the speaker.

ZH-CN 開機和關機

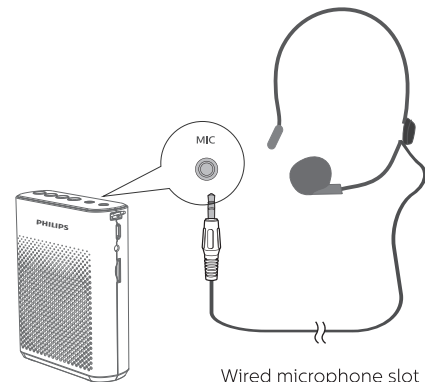
OFF檔 關機 / ON檔 開機
依次旋轉 音量不斷加大

溫馨提示：在主界面模式下15分鐘無任何操作會自動進入省電模式，如需喚醒，需將開關鈕關機後再開。



Specifications are subject to change without notice
2017 © Gibson Innovations Limited. All rights reserved.
This product has been manufactured by, and is sold under the responsibility of Gibson Innovations (Shanghai) Commercial Company Ltd., and Gibson Innovations (Shanghai) Commercial Company Ltd., is the warrantor in relation to this product.
The Philips trademark and the Philips Shield Emblem are registered trademarks of Koninklijke Philips N.V. used under license.

CN-SBM200/93-UM-V2.0



Wired microphone slot
有線麥克風插孔



Standard Wearing Way
標準佩戴方式

EN

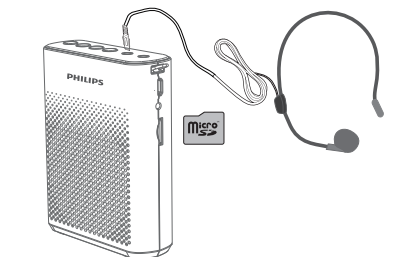
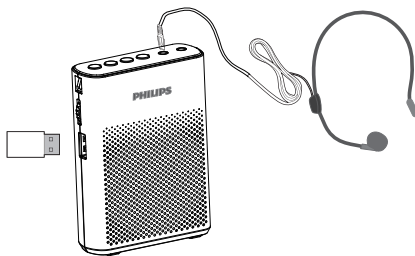
Wired Microphone Instructions

Please direct the positive hole of the wired microphone to your mouth when using. If you do not direct the positive side to your mouth, it might be howling or weak sound. Please do not forget to use with the black cotton. The black cotton can filter the interfering sound with the airflow.

ZH-CN

有線麥使用說明

佩戴時，請將有線麥克風對準正方向說話，祇要對準麥克風正方向面，聲音就很大，清晰，而且無嘯叫。說話時，請一定要套上黑色咪棉，黑色咪棉可以過濾其他幹擾氣流聲。如果沒對準麥克風正方向面，就會有嘯叫，或者聲音小等問題。



EN

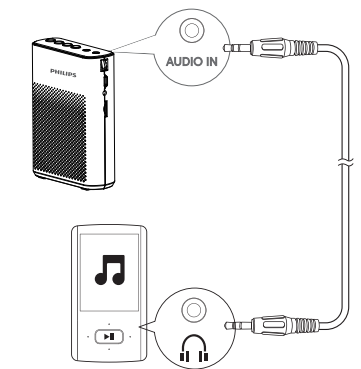
Recording Mode

Make sure there is a USB flash disk or a Micro SD card inserted in the speaker, and the speaker is connected with a wired Microphone. Short press SOURCE key to switch to Recording mode, then the red light indicator will be solid blue. Short press ▶|| to start recording, Red indicator will keep flashing quickly. Short press ▶|| to pause recording, Red indicator will stop flashing. Short press ▶|| again to continue recording. Press and hold ▶|| key or SOURCE key for 2 seconds to store the audio file. Press SOURCE key to switch to MP3 mode. And press ◀◀ / ▶▶ to search for your recorded file.

ZH-CN

REC錄音模式

短按SOURCE鍵進入錄音模式，需要兩個條件，一就是有卡或者U盤插入，二要有有線麥克風插入，按SOURCE鍵切換至錄音模式後，設備會處於錄音等待狀態，紅燈亮對準麥克風，短按▶||鍵開始錄音，紅燈快速閃動，錄音過程中短按▶||鍵處於錄音暫停中，紅燈亮，再短按▶||可以繼續錄音，當要保存錄音，請長按▶||2秒或者長按SOURCE鍵保存，保存後，請按SOURCE鍵切換至MP3模式下，再按◀◀或▶▶鍵找錄音文件。



EN AUDIO IN Mode

Connect your Audio in cable to the AUDIO IN socket, there will be voice prompts and the speaker will enter into the AUDIO IN mode automatically.

ZH-CN AUDIO IN 模式

當音頻線插入AUDIO IN插孔，音箱會自動切換AUDIO IN模式，同時有語音提示。

Specifications

Amplifier

Rated Output Power	3W RMS
Signal to Noise Ratio	50dBA
Aux Input	600mV RMS, 22 kohm

General information

Power Supply	5V 500mA
Built-in Battery	lithium battery
Dimensions - Main Unit (W x H x D)	102 x 75 x 27.5 mm
Weight -Main Unit	0.132kg

規格

擴音器

額定輸出功率	3 W RMS
信噪比	50 d BA
Aux 輸入	600 毫伏 RMS , 22 千歐

一般信息

電源	5 伏 500 毫安
內置電池	鋰電池
尺寸 - 主裝置 (寬 x 高 x 厚)	102 x 75 x 27.5 毫米
重量 - 主裝置	0.132 千克

Warning

- Never remove the casing of this apparatus.
- Never lubricate any part of this apparatus.
- Never place this apparatus on other electrical equipment.

Notice

Any changes or modifications made to this device that are not expressly approved by Gibson Innovations may void the user's authority to operate the equipment.

Disposal of your old product

Your product is designed and manufactured with high quality materials and components, which can be recycled and reused.



Do not throw away the product with the normal household waste at the end of its life, but hand it in at an official collection point or recycling. By doing this, you help to preserve the environment.

Caution

- Removal of the built-in battery invalidates the warranty and may destroy the product.

Environmental information

All unnecessary packaging has been omitted. We have tried to make the packaging easy to separate into three materials: cardboard (box), polystyrene foam (buffer) and polyethylene (bags, protective foam sheet).

Your system consists of materials which can be recycled and reused if disassembled by a specialized company. Please observe the local regulations regarding the disposal of packaging materials, exhausted batteries and old equipment.

Note

- The type plate is located on the bottom of the apparatus.

繁體中文

警告

- 切勿拆下本產品的外殼。
- 切勿潤滑本裝置的任何部件。
- 切勿將本裝置放在其它電器設備上面。

安全

重要安全說明

- 注意所有警告。
- 遵循所有說明。
- 不要在靠近水的地方使用本裝置。
- 不要堵塞任何通風口。按照製造商的說明進行安裝。
- 不要在任何熱源附近安裝，如散熱器、蓄熱器、爐具或其它發熱設備（包括功放器）。
- 僅使用製造商指定的附件/配件。
- 所有維修均應由合格的維修人員來執行。本設備有任何損壞時，如電源線或插頭損壞，液體潑濺到或物體跌落到設備上，設備淋雨或受潮，無法正常運行，或者跌落均需要進行維修。
- 切勿將本設備暴露在漏水或濺水環境下。
- 不要將任何危險源放在本設備上（例如裝有液體的物體、點燃的蠟燭）。

注意

如果用戶未經Gibson Innovations的明確許可而擅自對此設備進行更改或修改，則可能導致其無權操作此設備。

棄置舊產品

本產品採用可回收利用的高性能材料和組件製造而成。

棄置產品時，請不要將其與一般生活垃圾一同丟棄，應將其交給政府指定的回收中心或回收。這樣做有利於環保。



注意

- 拆卸內置電池將使保修失效，並可能毀壞本產品。

務必讓專業人員拆卸產品中的內置電池。

如果電池更換不當會有爆炸危險，祇能用同樣類型或等效類型的電池來更換，不得暴露在諸如日照、火烤或類似過熱環境中。

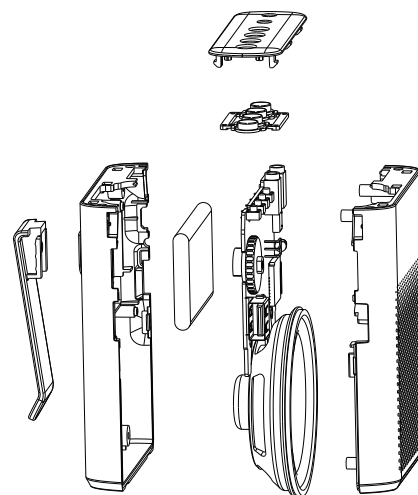
環境信息

已省去所有不必要的包裝。我們努力使包裝易於分為三種材料：紙板（盒）、泡沫塑料（緩衝物）和聚乙烯（袋、保護性泡沫片）。

您的系統包含可回收利用的材料（如果由專業公司拆卸）。請遵守當地有關包裝材料、廢電池和舊設備的處理的規定。

注

- 銘牌（銘牌上的信息包括工作電壓）位於主機背面，使用前請先了解銘牌上的相關信息。



設備名稱：擴音器 Equipment name		型號（型式）：CN-SBM200/93 Type designation (Type)				
單元 Unit	限用物質及其化學符號 Restricted substances and its chemical symbols					
	鉛 Lead (Pb)	汞 Mercury (Hg)	鎘 Cadmium (Cd)	六價鉻 Hexavalent chromium (Cr ⁶⁺)	多溴聯苯 Polybrominated biphenyls (PBB)	多溴二苯醚 Polybrominated diphenyl ethers (PBDE)
外殼	○	○	○	○	○	○
喇叭	○	○	○	○	○	○
線路板	超出0.1wt%	○	○	○	○	○
配件-USB線	超出0.1wt%	○	○	○	○	○
配件-音緣線	超出0.1wt%	○	○	○	○	○
麥克風	超出0.1wt%	○	○	○	○	○
掛繩	○	○	○	○	○	○
備考1. “超出0.1 wt %”及“超出0.01 wt %”係指限用物質之百分比含量超出百分比含量基準值。 Note 1: “Exceeding 0.1 wt %” and “exceeding 0.01 wt %” indicate that the percentage content of the restricted substance exceeds the reference percentage value of presence condition.						
備考2. “○”係指該項限用物質之百分比含量未超出百分比含量基準值。 Note 2: “○” indicates that the percentage content of the restricted substance does not exceed the percentage of reference value of presence.						
備考3. “-”係指該項限用物質為排除項目。 Note 3: The “-” indicates that the restricted substance corresponds to the exemption.						

English

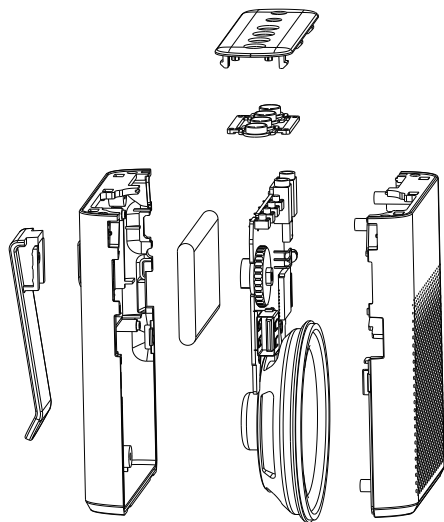
Safety

Important Safety Instructions

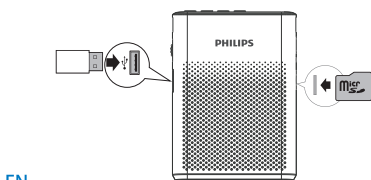
- Heed all warnings.
- Follow all instructions.
- Do not use this apparatus near water.
- Do not block any ventilation openings. Install in accordance with the manufacturer's instructions.
- Do not install near any heat sources such as radiators, heat registers, stoves, or other devices (including amplifiers) that produce heat.
- Only use attachments/accessories specified by the manufacturer.
- Refer all servicing to qualified service personnel. Servicing is required when the device has been damaged in any way, such as power-supply cord or plug is damaged, liquid has been spilled or objects have fallen into the device, the device has been exposed to rain or moisture, does not operate normally, or has been dropped.

- Devices shall not be exposed to dripping or splashing.
- Do not place any sources of danger on the device (e.g. liquid filled objects, lighted candles).

Always bring your product to a professional to remove the built-in battery.



EN



MP3 Mode Instructions

Set loop one/loop all playing: In MP3 mode, the default setting is loop all. If you want to play current track repeatedly, press and hold **▶||** for 2 seconds while playing, and there will be voice prompts to tell you the loop one function has been enabled. To enable the loop all function, press and hold **▶||** for 2 seconds again, there will be voice prompts to tell you the loop all function has been enabled. USB flash disk and TF card support 32GB max. Audio format: support MP3 / WMA / WAV (sampling frequency 8k~48k)

ZH-CN

MP3模式說明

開啓單曲/全部循環播放功能：在MP3模式下，默認爲全部循環如需進入單曲循環，請長按**▶||**(2秒以上)，會有語音提示單曲循環，再次長按**▶||**(2秒以上)會有語音提示全部循環。U盤與TF卡最大支持容量：32GB，音樂播放格式：支持MP3/WMA/WAV格式（採樣8k~48k）。