

# Always there to help you

Register your product and get support at  
[www.philips.com/support](http://www.philips.com/support)

BT6600



## User manual

# PHILIPS



# Contents

---

<b>1</b>	<b>Important</b>	<b>2</b>
----------	------------------	----------

---

<b>2</b>	<b>Your Bluetooth speaker</b>	<b>3</b>
	Introduction	3
	What's in the box	3
	Overview of the speaker	4

---

<b>3</b>	<b>Get started</b>	<b>5</b>
	Power supply	5
	Turn on/off	6
	Adjust volume	6

---

<b>4</b>	<b>Use Bluetooth devices</b>	<b>7</b>
	Connect a device	7
	Connect three Bluetooth devices simultaneously	8
	Play from Bluetooth device	8
	Control your phone call	8

---

<b>5</b>	<b>Listen to an external device</b>	<b>9</b>
----------	-------------------------------------	----------

---

<b>6</b>	<b>Charge your device</b>	<b>10</b>
----------	---------------------------	-----------

---

<b>7</b>	<b>Product information</b>	<b>11</b>
	Specifications	11

---

<b>8</b>	<b>Troubleshooting</b>	<b>12</b>
	General	12
	About Bluetooth device	12

---

<b>9</b>	<b>Notice</b>	<b>13</b>
	Compliance	13
	Care of the environment	13
	Trademark notice	14

# 1 Important



## Warning

- Never remove the casing of this speaker.
  - Never place this speaker on other electrical equipment.
  - Keep this speaker away from direct sunlight, naked flames or heat.
  - Make sure that you always have easy access to the power cord, plug, or adaptor to disconnect the speaker from the power.
- 
- Make sure that there is enough free space around the speaker for ventilation.
  - After use under humid circumstance, immediately clean the product with a soft dry cloth.
  - The battery shall not be exposed to excessive heat such as sunshine, fire or the like.
  - The adapter shall not be exposed to dripping or splashing.
  - No objects filled with liquids shall be placed on the adapter.
  - Use only power supplies listed in the user manual.
  - Where the plug of the Direct Plug-in Adapter is used as the disconnect device, the disconnect device shall remain readily operable.

## 2 Your Bluetooth speaker

Congratulations on your purchase, and welcome to Philips! To fully benefit from the support that Philips offers, register your product at [www.philips.com/welcome](http://www.philips.com/welcome).

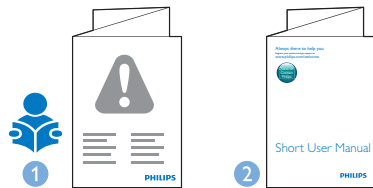
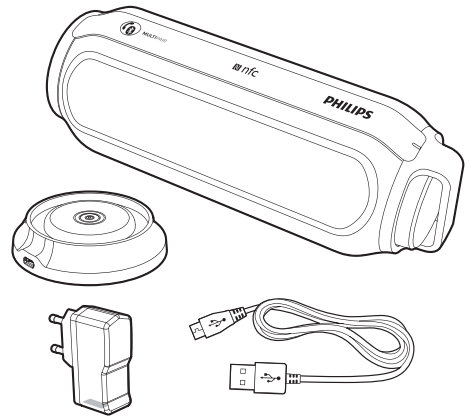
### Introduction

This speaker has passed splash-proof test (IPX4) and can be used near water.

With this speaker, you can enjoy audio from Bluetooth-enabled devices or other external devices.

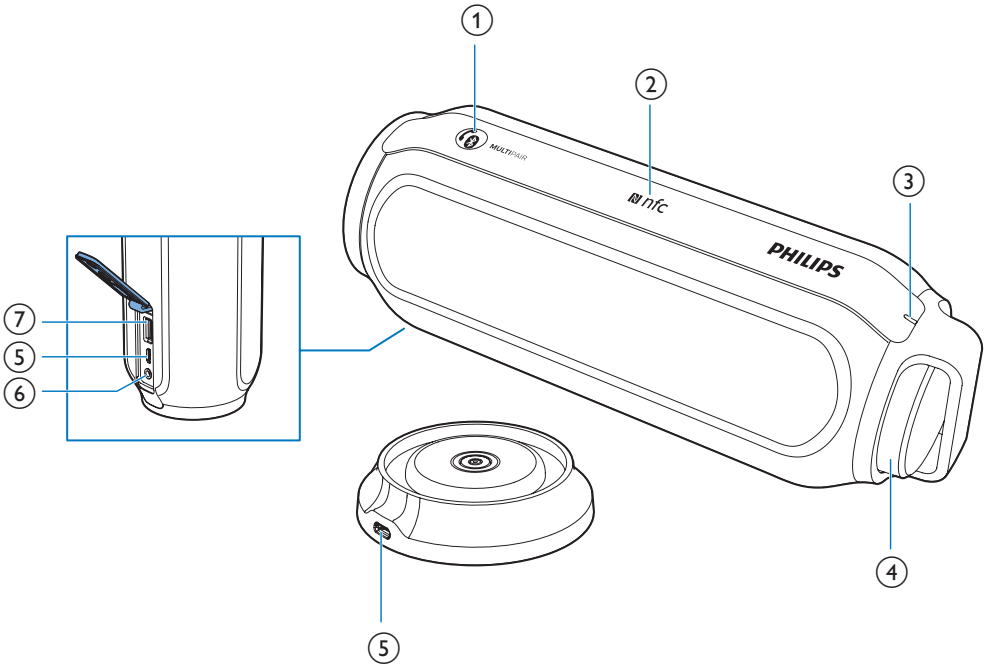
### What's in the box

Check and identify the contents of your package:



- Speaker
- USB cable for charging
- USB adapter head
- The charging base
- Short user manual
- Safety and notice leaflet

## Overview of the speaker



### ① / / MULTIPAIR

- Enter Bluetooth pairing mode.
- Disconnect Bluetooth connection.
- Answer or reject an incoming call.
- End the current phone call.
- Transfer the call to your mobile device.

### ② NFC

- Connect a NFC compatible device through Bluetooth.

### ③ Bluetooth indicator

### ④ Volume knob ( )

- Adjust volume.
- Turn the speaker on or off.

### ⑤ DC IN socket

### ⑥ AUDIO IN

- Connect an external audio device.

### ⑦ socket

- Charge your mobile device.

# 3 Get started

Always follow the instructions in this chapter in sequence.

## Power supply

Either AC power or battery can be used as power supply of this product.

### Option 1: Battery power

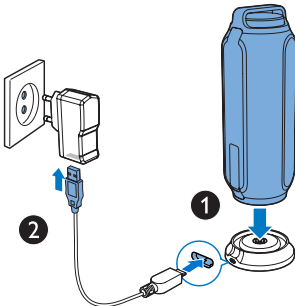
The speaker can operate on the built-in rechargeable battery.

#### Note

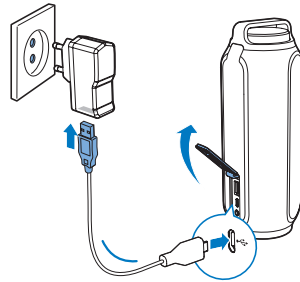
- Rechargeable battery has a limited number of charge cycles. Battery life and number of charge cycles vary by use and settings.
- It takes approximately three hours to fully charge the battery.
- The red LED indicator flashes when the battery is low.

#### To recharge the built-in battery:

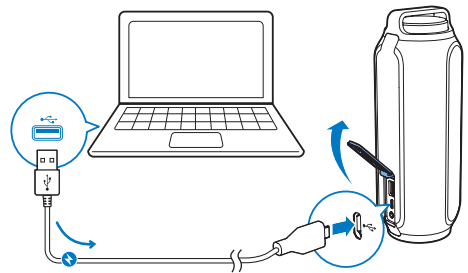
- Dock the speaker into the charging base, then connect the speaker to the AC power by using the supplied adaptor; or



- Connect the speaker to AC power by using the supplied adaptor; or



- Connect the USB cable between
  - the USB socket on the speaker; and
  - a USB socket on a computer.



When the speaker is off, the LED indicator is shown as below when it is under charging.

LED indicator	Battery status
Solid red	Under charging
Off	Fully charged

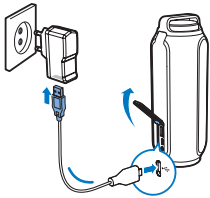
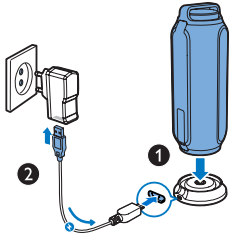
### Option 2: AC power

#### Caution

- Risk of product damage! Make sure that the power voltage corresponds to the voltage printed on the back or underside of the speaker.
- Risk of electric shock! When you unplug the AC adapter, always pull the plug from the socket. Never pull the cord.

- 1 Connect the adapter to:
  - the USB socket on the speaker.
  - the power outlet.

- 2 Connect the USB cable to the **DC IN** socket on the speaker or on the charging base.



### Note

- If battery is low, the red LED indicator flashes red.

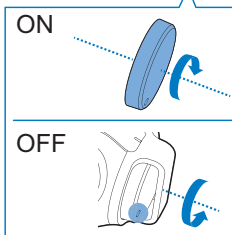
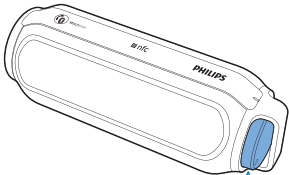
## Switch to standby mode

- The speaker switches to standby mode in the following situations:
  - The connection with Bluetooth device or other device is invalid for 15 minutes; or
  - Music playback is stopped for 15 minutes.

### Note

- When the speaker is in standby mode, the LED indicator flashes blue.
- To wake up the speaker from standby mode, press **MULTIPAIR** or tap the NFC tag on the top of the speaker with your Bluetooth device.

## Turn on/off



- To turn the speaker on or off, rotate the knob clockwise or anticlockwise until you hear a click.
  - ↳ When the speaker is turned on, the blue LED indicator flashes.
  - ↳ When the speaker is turned off, the blue LED indicator lights off.

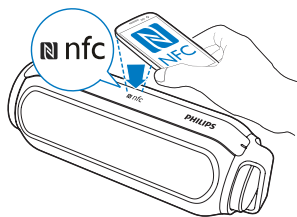
## Adjust volume

- During play, rotate the knob to increase or decrease volume.



# 4 Use Bluetooth devices

With this speaker, you can listen to audio from Bluetooth-enabled devices and control the incoming call through Bluetooth.



- 4 Follow the on-screen instructions to complete the pairing and connection.
  - ↳ After successful connection, the speaker beeps twice, and the LED indicator turns solid blue.
  - The speaker doesn't beep during music playback, only the LED indicator flashes blue.

## Connect a device

### Note

- The speaker can memorize a maximum of three paired devices. The fourth paired device will replace the first one.
- Make sure that Bluetooth function is enabled on your device, and your device is set as visible to all other Bluetooth devices.
- Any obstacle between this speaker and a Bluetooth device can reduce the operational range.
- Keep away from any other electronic device that may cause interference.
- Make sure that no audio input cable is connected to the **AUDIO IN** socket.

## Option 1: Connect a device through NFC

Near Field Communication (NFC) is a technology that enables short-range wireless communication between various NFC compatible devices, such as mobile phones and IC tags.

If your Bluetooth device supports NFC, you can connect it with this speaker easily.

- 1 Enable NFC on your Bluetooth device (refer to its user manual).
- 2 Turn on the speaker.
  - ↳ The blue LED indicator flashes.
- 3 Tap the NFC tag on the top of the speaker with the NFC area of your Bluetooth device.

## Option 2: Connect a device manually

### Note

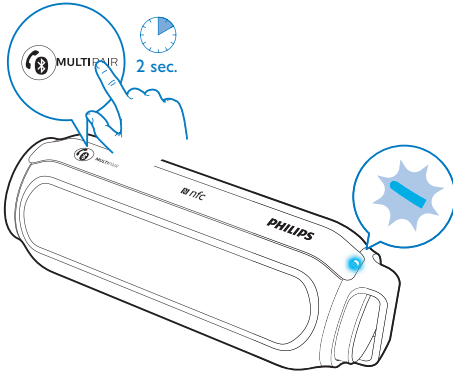
- The operational range between this speaker and a Bluetooth device is approximately 10 meters (30 feet).

- 1 On your Bluetooth device, enable Bluetooth and search for Bluetooth devices that can be paired (see the user manual of the device).
- 2 Turn on the speaker:
  - ↳ The blue LED indicator flashes.
- 3 Select **[Philips BT6600]** displayed on your device for pairing. If necessary, input "0000" as the pairing password.
  - ↳ After successful connection, the speaker beeps twice, and the LED indicator turns solid blue.
  - The speaker doesn't beep during music playback, only the LED indicator flashes blue.

LED indicator	Description
Flashing blue quickly (at 2Hz)	Waiting for pairing
Flashing blue slowly (at 1Hz)	Connecting
Solid blue	Connected

## Connect three Bluetooth devices simultaneously

The speaker can connect to three Bluetooth devices at the same time.



- If the speaker is connected to one device, press and hold **MULTIPAIR** for two seconds.
  - ↳ The speaker enters pairing mode, and gets ready to pair with a new Bluetooth device.
  - ↳ The previous device is still connected to the speaker
- If the speaker is connected to three devices, press and hold **MULTIPAIR** for two seconds.
  - ↳ The speaker disconnects the earliest device which is not playing music, and gets ready to pair with another device.

↳ Audio streams from your Bluetooth device to the speaker:

- If more than one device is connected with the speaker, play music from any of the connected devices, the music playback through other device is paused.

## Control your phone call

After Bluetooth connection, you can control an incoming call with this speaker:

Button	Function
📞 / 📞	Press to answer an incoming call.
	Press and hold for three seconds to reject an incoming call.
	During a call, press to end the current call.
	During a call, press and hold for three seconds to transfer the call to your mobile device.

## Play from Bluetooth device

### Note

- If there is an incoming call on the connected mobile phone, music play pauses.

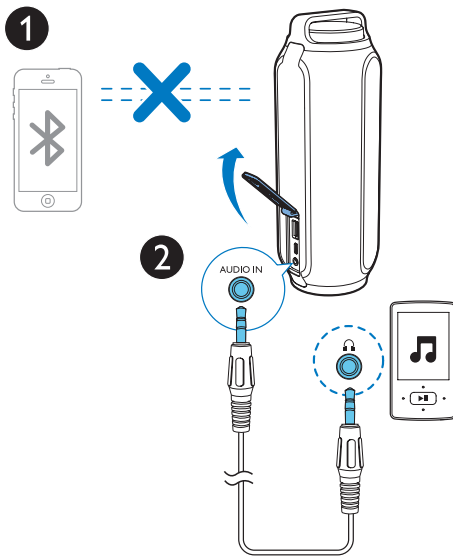
After successful Bluetooth connection, play audio on the Bluetooth device.

# 5 Listen to an external device

With this speaker, you can also listen to an external audio device such as an MP3 player.

## Note

- Make sure that music playback through Bluetooth is stopped.

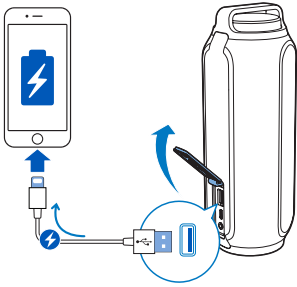


- 1 Open the protective cover on the left of the speaker.
- 2 Connect an audio input cable (not supplied) with a 3.5 mm connector on both ends to
  - the **AUDIO IN** socket on this speaker; and
  - the headphone socket on the external device.
- 3 Play audio on the external device (refer to its user manual).

## 6 Charge your device

With this speaker, you can charge your external devices, such as your cell phone, MP3 player or other mobile devices.

- 1 Use a USB cable to connect the USB socket of product with the USB socket of your devices.



- 2 Turn on the speaker.

### Note

- Gibson Innovations does not guarantee the compatibility of this product with all devices.

# 7 Product information



## Note

- Product information is subject to change without prior notice.

## Specifications

### Amplifier

Rated Output Power	2 X 7,5 W RMS
Frequency Response	63 -20KHz, +/-3 dB
Signal to Noise Ratio	> 72 dBA
Audio in input	1000 mV RMS

### Bluetooth

Bluetooth Version	V3.0 standard
Bluetooth frequency band	2.402 GHz ~ 2.48 GHz ISM band
Range	10 m (Free space)

### USB

Charging support	Output: 5V, 2.1A
------------------	------------------

## General information

Power Supply	
- AC Power (power adapter)	Brand name: PHILIPS; Model:GT-WCBU05000200-113
	Input:100-240V~,50/60Hz,0.4A
	Output: 5 V $\equiv$ 2 A;
- Built-in Battery	Li-ion battery (3.7V, 6000 mA)
Power Supply (through Micro USB socket)	5V, 2000mA
Dimensions -	
Main Unit (W x H x D)	81 x 214 x 76 mm
Weight - Main Unit	0.7 kg

# 8 Troubleshooting



## Warning

- Never remove the casing of this device.

To keep the warranty valid, never try to repair the system yourself.

If you encounter problems when using this device, check the following points before requesting service. If the problem remains unsolved, go to the Philips Web page ([www.philips.com/support](http://www.philips.com/support)). When you contact Philips, make sure that the device is nearby and the model number and serial number are available.

---

## General

### No power

- Make sure that the AC power plug of the unit is connected properly.
- Make sure that there is power at the AC outlet.
- Recharge your speaker.

### No sound

- Adjust volume on this product.
- Adjust volume on the connected device.
- Make sure that your Bluetooth device is within the effective operational range.

### No response from the speaker

- Disconnect and reconnect the power plug, then turn on the speaker again.
- Recharge the speaker.

### No response from the speaker when pressing / /MULTIPAIR

- Press and hold  /  /MULTIPAIR for 15 seconds to exit demonstration mode.

---

## About Bluetooth device

### The audio quality is poor after connection with a Bluetooth-enabled device.

- The Bluetooth reception is poor: Move the device closer to this product or remove any obstacle between them.

### Fail to find [Philips BT6600] on your device for pairing.

- Press and hold **PAIRING** for three seconds, and then try again.

### Cannot connect with the device.

- The Bluetooth function of the device is not enabled. Refer to the user manual of the device for how to enable the function.
- This product is already connected with another Bluetooth-enabled device. Disconnect that device and then try again.

### The paired device connects and disconnects constantly.

- The Bluetooth reception is poor: Move the device closer to this product or remove any obstacle between them.
- For some devices, Bluetooth connection may be deactivated automatically as a power-saving feature. This does not indicate any malfunction of this product.

# 9 Notice

Any changes or modifications made to this device that are not expressly approved by Gibson Innovations may void the user's authority to operate the equipment.

---

## Compliance

# CE 0890

Hereby, Gibson Innovations declares that this product is in compliance with the essential requirements and other relevant provisions of Directive 1999/5/EC. You can find the Declaration of Conformity on [www.philips.com/support](http://www.philips.com/support).

---

## Care of the environment

### Disposal of your old product and battery



Your product is designed and manufactured with high quality materials and components, which can be recycled and reused.



This symbol on a product means that the product is covered by European Directive 2012/19/EU.



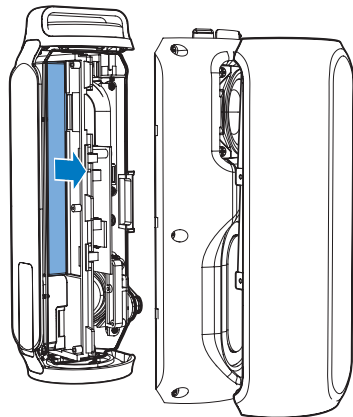
This symbol means that the product contains a built-in rechargeable battery covered by European Directive 2013/56/EU which cannot be disposed of with normal household waste. We strongly advise you to take your product to an official collection point or a Philips service centre to have a professional remove the rechargeable battery.

Inform yourself about the local separate collection system for electrical and electronic products and rechargeable batteries. Follow local rules and never dispose of the product and rechargeable batteries with normal household waste. Correct disposal of old products and rechargeable batteries helps prevent negative consequences for the environment and human health.

### Caution

- Removal of the built-in battery invalidates the warranty and may destroy the product.

Always bring your product to a professional to remove the built-in battery.



## Environmental information

All unnecessary packaging has been omitted. We have tried to make the packaging easy to separate into three materials: cardboard (box), polystyrene foam (buffer) and polyethylene (bags, protective foam sheet.)

Your system consists of materials which can be recycled and reused if disassembled by a specialized company. Please observe the local regulations regarding the disposal of packaging materials, exhausted batteries and old equipment.

---

## Trademark notice



The Bluetooth® word mark and logos are registered trademarks owned by Bluetooth SIG, Inc. and any use of such marks by Gibson Innovations Limited is under license. Other trademarks and trade names are those of their respective owners.



The N Mark is a trademark or registered trademark of NFC Forum, Inc. in the United States and in other countries.



This is CLASS II apparatus with double insulation, and no protective earth provided.







2015 Gibson Innovations Limited. All rights reserved.  
This product has been manufactured by, and is sold under  
the responsibility of Gibson Innovations Ltd., and Gibson  
Innovations Ltd. is the warrantor in relation to this  
product.

Philips and the Philips Shield Emblem are registered  
trademarks of Koninklijke Philips N.V. and are used under  
license from Koninklijke Philips N.V.

BT6600\_12\_UM\_V1.0

