



**General information**

**Warnings**

- Only use attachments or accessories specified by manufacturer.
- The battery shall not be exposed to excessive heat such as sunshine, fire etc.
- Only for indoor use.

**Care and safety information**

**Avoid high temperatures, moisture, water and dust**

- Apparatus should not be exposed to dripping or splashing of liquid.
- Do not place any source of danger on the speaker (e.g.liquid filled objects lighted candles).
- Do not install near heat sources.

**Do not block any ventilation opening**

- Place the apparatus in a location with adequate ventilation to prevent internal heat build up.
- Allow at least 10cm (4 inches) of free space all around the apparatus for adequate ventilation.

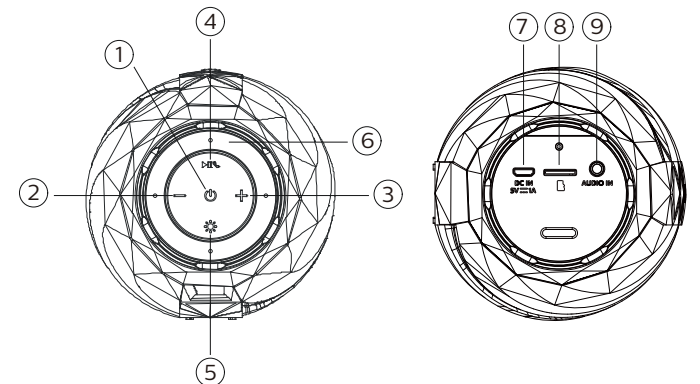
**Care of the cabinet**

- Use a soft cloth slightly moistened to clean the cabinet.
- Do not use a solution containing alcohol, spirits, ammonia or abrasives to clean the cabinets.

**Accessories**

Item	3.5mm to stereo cable	User manual	USB cable	Strap
Quantity	1	1	1	1

**Top & Back panel**



**Top panel operation**

**A. Switch operation**

		1. ⏻	2. -	3. +	4. ⏮⏭	5. 🌞	6. VOLUME
BT mode.	short press	function	Prev Song / Track*	Next Song/ Track*	a. play or pause b. accept or end the current call	a. LED flash according to music rhythm. b. LED flash on default speed. c. LED off	a. Volume down: rotate to the left b. Volume up: rotate to the right (it will make sound when reaches maximum volume)
	long press	Power on/off	Volume decreases	Volume increases, when it reaches highest volume it will make sound	a. disconnect BT connection b. reject an incoming call	—————	—————
Audio mode.	short press	function	—————	—————	—————	a. LED flash according to music rhythm. b. LED flash on default speed. c. LED off	a. Volume down: rotate to the left b. Volume up: rotate to the right (it will make sound when reaches maximum volume)
	long press	Power on/off	Volume decreases	Volume increases, when it reaches highest volume it will make sound	—————	—————	—————
FM mode.	short press	function	Back Stored radio/ Track*	Next Stored radio/ Track*	—————	a. LED flash according to music rhythm. b. LED flash on default speed. c. LED off	a. Volume down: rotate to the left b. Volume up: rotate to the right (it will make sound when reaches maximum volume)
	long press	Power on/off	Volume decreases	Volume increases, when it reaches highest volume it will make sound	FM channels and save	—————	—————
TF mode.	short press	function	Prev Song / Track*	Next Song/ Track*	play or pause	a. LED flash according to music rhythm. b. LED flash on default speed. c. LED off	a. Volume down: rotate to the left b. Volume up: rotate to the right (it will make sound when reaches maximum volume)
	long press	Power on/off	Volume decreases	Volume increases, when it reaches highest volume it will make sound	—————	—————	—————

**B. LED**

- a. Red LED: Charging.
- b. Blue LED: bluetooth mode.
- c. Green LED: Audio mode.
- d. Blue and Green alternate: FM mode
- e. light Blue LED: micro SD / TF Card mode

\*\* In case of laptop BT connection, this will work with windows media player.

**C. Back Panel**

- 7. [MICRO USB] socket for charging unit.
- 8. [MICRO SD Card / TF Card]
- 9. [AUDIO IN] : 3.5mm Audio socket

**Over view of the speaker**

1. ⏻ - Power on/off and Source selection.

- Turn the speaker on or off with long press.
- Select source by short pressing Bluetooth/ micro SD card (TF card)/ FM/ Line in (FM/ line in is available only when stereo cable is connected).

2. "-"

- Volume decrease -long press
- Previous song/channel-short press

3. "+"

- Volume increase -long press
- Next song/channel-short press

4. ⏮⏭

- Play/ Pause -short press
- Answer or end the current call-short press
- Reject an incoming call-long press
- Disconnect Bluetooth connection-long press
- Search FM channel and save -long press

5. 🌞

- LED flash according to music rhythm.
- LED flash on default speed.
- LED off

6. Volume

- Volume down: rotate to the left
- Volume up: rotate to the right (it will make sound when reaches maximum volume)

7. DC in- Recharging the built in battery.

8. Micro SD card (TF card).

9. Line in- Connect an external audio device and for use in FM as antenna.



## Over view of the speaker

### Get started

- Place the speaker on a flat surface.
- Charge the built in battery
  - Notes for charging
    - a) Before use, fully charge the built in battery.
    - b) The micro USB socket is for charging only.
    - c) Rechargeable battery has a limited number of charge cycles.
- Battery life and number of charge cycle vary by use & settings.
- Connect the USB cable between DC in socket on the speaker and USB Socket of a computer.

### Bluetooth pairing

- To turn on the speaker long press "⏻" -speaker enters in Bluetooth mode blue LED will quickly flash.
- Turn on Bluetooth device like mobile, computer and search the Bluetooth name "PHILIPS BT6620".
- Press pair in the device to connect with the speaker, when enter pairing mode it will give out double "Beep" sound while it will give out "Beep" sound after pairing successfully.
- Blue light will stop flashing. (Normally no need to provide password, if need just put "0000" as the password.)
- After pairing successfully, the device will connect with speaker automatically next time.
- Long press "▶⏻" for 3 seconds to disconnect current device, speaker enters in pairing mode.

### Audio in

Connect a stereo cable (audio input cable) on both ends to

- Audio in socket of speaker
- The headphone socket on the external device

Short press "⏻" to choose FM mode/Audio in mode. Without Audio cable, speaker cannot go into line in mode.



Register your product and get support at  
[www.philips.com/welcome](http://www.philips.com/welcome)

Philips and the Philips Shield Emblem are registered trademarks of Koninklijke Philips N.V. and are used under license. This product has been manufactured by and is sold under the responsibility of MMD Hong Kong Holding Limited or one of its affiliates, and MMD Hong Kong Holding Limited is the warrantor in relation to this product.

## Over view of the speaker

### FM

Connect and audio stereo cable (Audio cable) and press "⏻" speaker will go in FM mode and LED will flash blue & green alternatively.

Long press "▶⏻", speaker will go in search mode & save all FM channels from 87.5 to 108MHz. "-" or "+" with short press will select desired channel.

Without Audio cable, speaker cannot go into FM mode.

### Micro SD card (TF card)

When inserting micro SD card (TF card), short press "⏻" to choose micro SD/ TF card mode, with LED color changing to light blue.

Without micro SD/ TF card, speaker cannot go into micro SD/ TF card mode.

### Handfree phone call function

Blue light will flash when there is an incoming call, the speaker will also come out with 'Beep' sound, long press button "▶⏻" to reject the phone call, short press to answer the call, short press again to end disconnect, by pressing "-"/ "+" to decrease or increase volume.

### Low power

When it comes to low power, the speaker will come out with "Beep" sound, at the same time volume will be decreased to keep perfect playback, pls charge in time, the speaker will shutdown for no power.

If you are not using the speaker for long time, ensure that it is being fully charged once every month in order to protect the battery.

## Warranty

This Philips Bluetooth speaker system is warranted against any defect due to defective materials or workmanship for 12 months from the date of purchase, should a defect develop during the period of warranty.

**TPV Technology India Pvt. Ltd.**, affiliate of MMD Hong Kong Holding Limited, undertake to repair the apparatus FREE OF CHARGE at any of its Authorized Service Center in India.

### The warranty is not valid in case :

- Proof of purchase is not accompanied with this warranty card.
- The warranty card is not completed immediately after purchase.
- The apparatus is not used according to this user manual.
- Defects are caused due to improper or reckless use.
- Any repairs are done by unauthorized personnel.
- The serial number is tampered with.
- Defects due to causes beyond control like lightning, abnormal voltage, acts of God or while in transit to the purchaser's residence.

All Consumables and parts susceptible to normal wear and tear are not covered under this warranty.

Model No. \_\_\_\_\_ Product Sl. No. \_\_\_\_\_

Invoice Number \_\_\_\_\_ Date of Purchase: \_\_\_\_/\_\_\_\_/\_\_\_\_\_

Customer's Name and address: \_\_\_\_\_

\_\_\_\_\_  
PIN:

**Always there to help you!**  
Visit us at [www.support.philips.com](http://www.support.philips.com)  
**Helpline:** 1800 425 6396  
Email: [india.callcentre@tpv-tech.com](mailto:india.callcentre@tpv-tech.com)  
(10 a.m. to 9 p.m. Mondays to Saturdays & 10 a.m. to 6 p.m. on Sundays)

**Dealer Name & Stamp:**

## Product specifications\*

### Amplifier

Rated output power	20W RMS
Signal to Noise Ratio	>55dB
Audio input	600mV
Frequency Response	70Hz~20KHz

### Speaker

Speaker Impedance	3 ohm
Speaker Driver	3 inches
Sensitivity	80 dBm

### Bluetooth

Bluetooth version	V 4.2
Bluetooth freq	2.4GHz~248GHz
Bluetooth range	Up to 10M (freospace)

### General Introduction

Power supply	5V  1A
Built in Battery	Li-polymer battery
Dimension main unit (LxWxH)mm	195x100x40mm
Weight	800g

Connectivity	FM, micro SD (TF-Card), Audio In, Bluetooth
Micro SD(TF card)	up to 32GB

\*Specification subject to change without prior notice. Measured under specific conditions.