

Register your product and get support at

www.philips.com/welcome

DCM378



EN User manual

DE Benutzerhandbuch

ES Manual del usuario

FR Mode d'emploi

IT Manuale utente

NL Gebruiksaanwijzing

PT Manual do utilizador

SV Användarhandbok

PHILIPS

Contents

1 Important	4
Safety	4
Notice	5

2 Your Docking Entertainment System	6
Introduction	6
What's in the box	6
Overview of the main unit	7
Overview of the remote control	8

3 Get started	10
Connect speakers	10
Connect FM antenna	10
Connect power	10
Prepare the remote control	11
Set clock	11
Turn on	11
Store radio stations automatically	11

4 Play	12
Basic play operations	12
Play from disc	12
Play from USB	12
Adjust sound	12

5 Play iPhone/iPod	13
Compatible iPhone/iPod	13
Listen to the iPhone/iPod	13
Charge the iPhone/iPod	13
Remove the iPhone/iPod	13

6 Listen to FM radio	14
Tune to FM radio stations	14
Program radio stations automatically	14
Program radio stations manually	14
Tune to a preset radio station	14
Show RDS information	14

7 Other features	15
Set alarm timer	15
Set sleep timer	15
Listen to external audio device	15
Listen through headphone	15

8 Product information	16
Specifications	16
USB playability information	16
Supported MP3 disc formats	17

9 Troubleshooting	17
--------------------------	----

1 Important

Safety



This 'bolt of lightning' indicates uninsulated material within your unit may cause an electrical shock. For the safety of everyone in your household, please do not remove product covering.

The 'exclamation point' calls attention to features for which you should read the enclosed literature closely to prevent operating and maintenance problems.

WARNING: To reduce the risk of fire or electric shock, this apparatus should not be exposed to rain or moisture and objects filled with liquids, such as vases, should not be placed on this apparatus.

CAUTION: To prevent electric shock, match wide blade of plug to wide slot, fully insert.

- Do not block any ventilation openings. Install in accordance with the manufacturer's instructions.
- Do not install near any heat sources such as radiators, heat registers, stoves, or other apparatus (including amplifiers) that produce heat.
- Protect the power cord from being walked on or pinched, particularly at plugs, convenience receptacles, and the point where they exit from the apparatus.
- Only use attachments/accessories specified by the manufacturer.
- Use only with the cart, stand, tripod, bracket, or table specified by the manufacturer or sold with the apparatus. When a cart is used, use caution when moving the cart/apparatus combination to avoid injury from tip-over.
- Unplug this apparatus during lightning storms or when unused for long periods of time.



- Refer all servicing to qualified service personnel. Servicing is required when the apparatus has been damaged in any way, such as power-supply cord or plug is damaged, liquid has been spilled or objects have fallen into the apparatus, the apparatus has been exposed to rain or moisture, does not operate normally, or has been dropped.
- Battery usage **CAUTION** – To prevent battery leakage which may result in bodily injury, property damage, or damage to the unit:
- Install all batteries correctly, + and - as marked on the unit.
- Do not mix batteries (old and new or carbon and alkaline, etc.).
- Remove batteries when the unit is not used for a long time.
- Apparatus shall not be exposed to dripping or splashing.
- Do not place any sources of danger on the apparatus (e.g. liquid filled objects, lighted candles).

Caution

- Use of controls or adjustments or performance of procedures other than herein may result in hazardous radiation exposure or other unsafe operation.

Warning

- Where the MAINS plug or an appliance coupler is used as the disconnect device, the disconnect device shall remain readily operable.

Hearing Safety

Danger

- To avoid hearing damage, limit the time you use the headphones at high volume and set the volume to a safe level. The louder the volume, the shorter is the safe listening time.

Be sure to observe the following guidelines when using your headphones.

- Listen at reasonable volumes for reasonable periods of time.
- Be careful not to adjust the volume continuously upwards as your hearing adapts.
- Do not turn up the volume so high that you can't hear what's around you.

- You should use caution or temporarily discontinue use in potentially hazardous situations.
- Excessive sound pressure from earphones and headphones can cause hearing loss.

Notice



This product complies with the radio interference requirements of the European Community. This product complies with the requirements of the following directives and guidelines: 2004/108/EC + 2006/95/EC

Any changes or modifications made to this device that are not expressly approved by Philips Consumer Lifestyle may void the user's authority to operate the equipment.



Your product is designed and manufactured with high quality materials and components, which can be recycled and reused.



When this crossed-out wheeled bin symbol is attached to a product it means that the product is covered by the European Directive 2002/96/EC. Please inform yourself about the local separate collection system for electrical and electronic products. Please act according to your local rules and do not dispose of your old products with your normal household waste. Correct disposal of your old product helps to prevent potential negative consequences for the environment and human health.



Your product contains batteries covered by the European Directive 2006/66/EC, which cannot be disposed with normal household waste. Please inform yourself about the local rules on separate collection of batteries because correct disposal helps to prevent negative consequences for the environmental and human health.

Environmental information

All unnecessary packaging has been omitted. We have tried to make the packaging easy to separate into three materials: cardboard (box), polystyrene foam (buffer) and polyethylene (bags, protective foam sheet.)

Your system consists of materials which can be recycled and reused if disassembled by a specialized company. Please observe the local regulations regarding the disposal of packaging materials, exhausted batteries and old equipment.



**Be responsible
Respect copyrights**

The making of unauthorized copies of copy-protected material, including computer programs, files, broadcasts and sound recordings, may be an infringement of copyrights and constitute a criminal offence. This equipment should not be used for such purposes.



"Made for iPod" means that an electronic accessory has been designed to connect specifically to iPod and has been certified by the developer to meet Apple performance standards.

"Works with iPhone" means that an electronic accessory has been designed to connect specifically to iPhone and has been certified by the developer to meet Apple performance standards. Apple is not responsible for the operation of this device or its compliance with safety and regulatory standards.

iPod is a trademark of Apple Inc., registered in the U.S. and other countries.

This apparatus includes this label:



Note

- The type plate is located on the bottom of the apparatus.

2 Your Docking Entertainment System

Congratulations on your purchase, and welcome to Philips! To fully benefit from the support that Philips offers, register your product at www.philips.com/welcome.

Introduction

With this unit, you can:

- enjoy audio from discs, USB devices, iPod, iPhone and other external devices
- listen to radio stations

You can enrich sound output with these sound effects:

- Bass adjustment
- Treble adjustment
- Loudness control

The unit supports these media formats:



What's in the box

Check and identify the contents of your package:

- Main unit
- Remote control with battery
- Speaker boxes (×2)
- FM antenna
- Power cable
- MP3 link cable (60cm)
- User manual

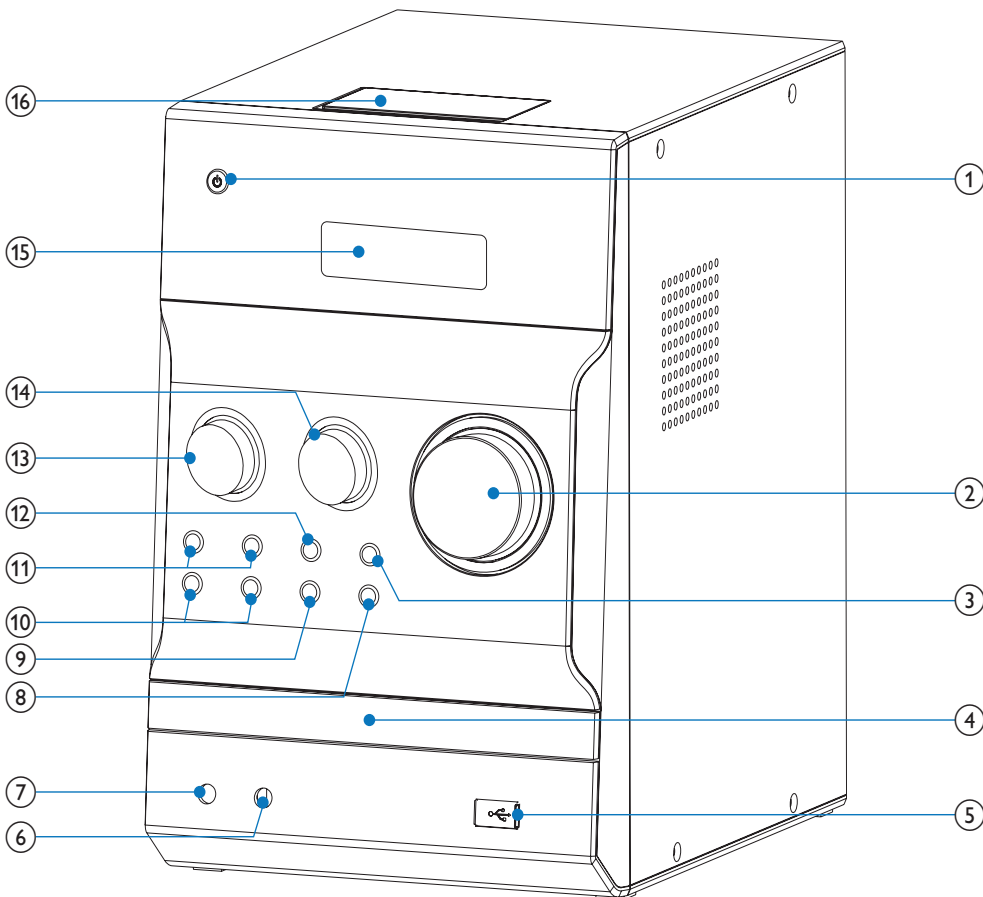
Norge

Typeskilt finnes på apparatens underside.

Observer: Nettbryteren er sekundert innkoplet. Den innbygde nettdelen er derfor ikke frakoplet nettet så lenge apparatet er tilsluttet nettkontakten.

For å redusere faren for brann eller elektrisk støt, skal apparatet ikke utsettes for regn eller fuktighet.

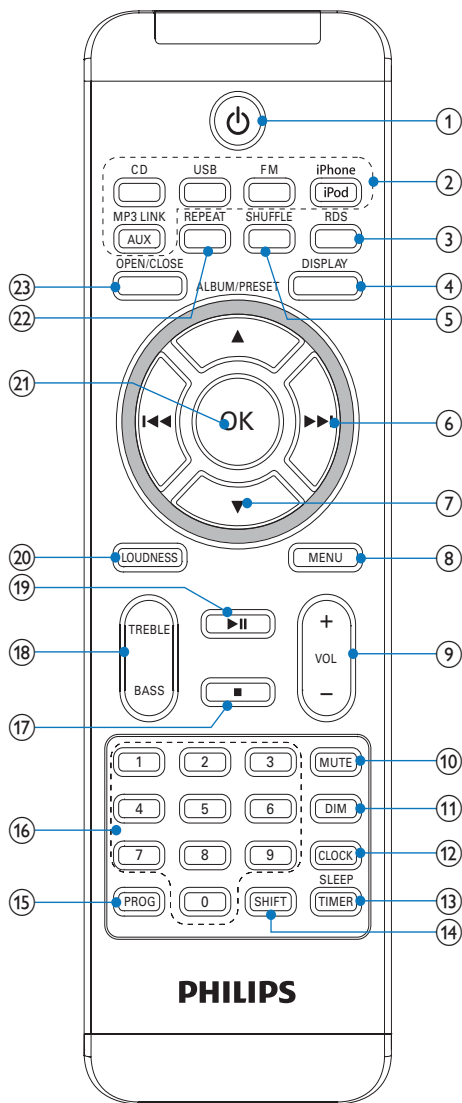
Overview of the main unit



- ①
 - Turn on the unit.
 - Switch to standby mode, or Eco Power standby mode.
- ② **VOLUME**
 - Adjust volume.
- ③
 - Start or pause play.
- ④ **Disc tray**
- ⑤
 - USB socket.
- ⑥ **MP3 LINK**
 - Connect external audio device.
- ⑦
 - Headphone socket.
- ⑧ **OPEN/CLOSE▲**
 - Open or close the disc tray.
- ⑨ **SOURCE**
 - Select a source.
- ⑩ **ALBUM/PRESET▲▼**
 - Skip to previous/next album.
 - Select a preset radio station.
 - Navigate through iPod/iPhone menu.
- ⑪
 - Skip to previous/next track.
 - Search within a track/disc.
 - Tune to a radio station.

Overview of the remote control

- ⑫ ■
 - Stop play.
 - Erase a program.
- ⑬ **TREBLE**
 - Adjust treble level.
- ⑭ **BASS**
 - Adjust bass level.
- ⑮ **Display panel**
 - Show current status.
- ⑯ **Dock for iPhone / iPod**



- ① **⏻**
 - Turn on the unit.
 - Switch to standby or Eco Power standby mode.
- ② **Source selection keys (CD, USB, FM, iPhone, iPod, AUX, MP3 LINK)**
 - Select a source.

- ③ **RDS**
 - For selected FM radio stations: display RDS information.
 - Synchronize clock with RDS station.
- ④ **DISPLAY**
 - Display play information.
- ⑤ **SHUFFLE**
 - Play tracks randomly.
- ⑥ **⏮⏪⏩⏭**
 - Skip to previous/next track.
 - Search within a track/disc.
 - Tune to a radio station.
- ⑦ **ALBUM/PRESET▲▼**
 - Skip to previous/next album.
 - Select a preset radio station.
 - Navigate through iPod/iPhone menu.
- ⑧ **MENU**
 - Access iPod/iPhone menu.
- ⑨ **VOL +/-**
 - Adjust volume.
- ⑩ **MUTE**
 - Mute volume.
- ⑪ **DIM**
 - Adjust brightness of display panel.
- ⑫ **CLOCK**
 - Set clock.
- ⑬ **SLEEP/TIMER**
 - Set sleep timer.
 - Set alarm timer.
- ⑭ **SHIFT**
 - Enter a two or three-digit number (used with the numeric keypad).
- ⑮ **PROG**
 - Program tracks.
 - Program radio stations.
- ⑯ **Numeric keypad**
 - Select a track directly.
- ⑰ **■**
 - Stop play.
 - Erase a program.
- ⑱ **TREBLE/BASS**
 - Enable treble/bass enhancement.
- ⑲ **▶||**
 - Start or pause play.
- ⑳ **LOUDNESS**
 - Enable/disable automatic loudness adjustment.
- ㉑ **OK**
 - Confirm a selection.
- ㉒ **REPEAT**
 - Select a repeat play mode.
- ㉓ **OPEN/CLOSE**
 - Open or close the disc compartment.

3 Get started

! Caution

- Use of controls or adjustments or performance of procedures other than herein may result in hazardous radiation exposure or other unsafe operation.

Always follow the instructions in this chapter in sequence.

If you contact Philips, you will be asked for the model and serial number of this apparatus. The model number and serial number are on the bottom of the apparatus. Write the numbers here:

Model No. _____

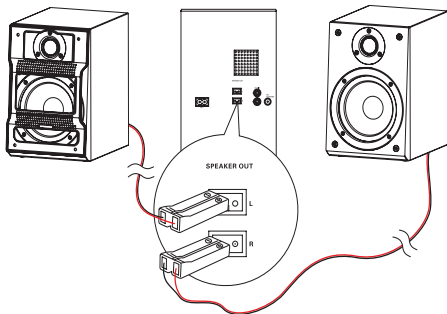
Serial No. _____

Connect speakers

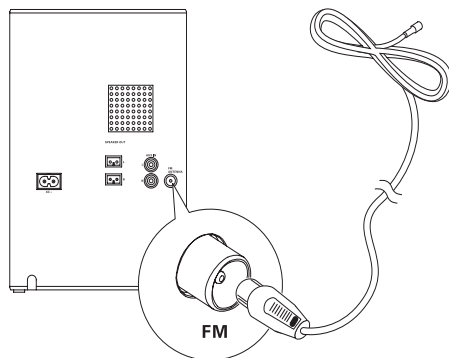
≡ Note

- For optimal sound, use the supplied speakers only.
- Connect only speakers with impedance that is the same or higher than the supplied speakers. Refer to the Specifications section of this manual.

- 1 Insert the speaker wires completely into the speaker input sockets on the back of the unit.



Connect FM antenna



✻ Tip

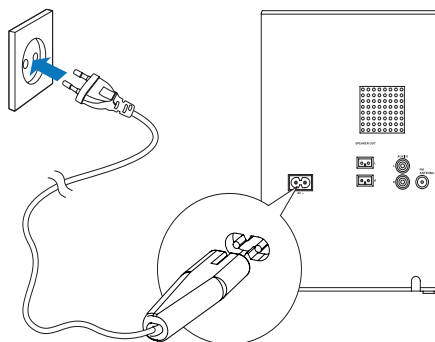
- For optimal reception, fully extend and adjust the position of the antenna.
- For better FM stereo reception, connect an outdoor FM antenna to the **FM ANTENNA** socket.
- The unit does not support MW radio reception.

- 1 Connect the supplied FM antenna to the **FM ANTENNA** socket on the main unit.

Connect power

! Caution

- Risk of product damage! Ensure that the power supply voltage corresponds to the voltage printed on the back or the underside of the unit.
- Risk of electric shock! When you unplug the AC power cord, always pull the plug from the socket. Never pull the cord.
- Before you connect the AC power cord, ensure that you have completed all other connections.



- 1 Connect the power cable to:
 - the AC~ jack on the main unit.
 - the wall socket.

Prepare the remote control



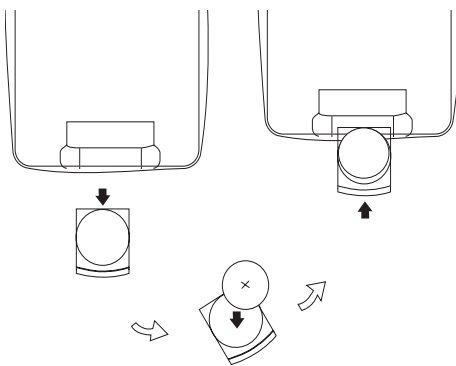
Caution

- Risk of explosion! Keep batteries away from heat, sunshine or fire. Never discard batteries in fire.

For first-time use:

- 1 Remove the protective tab to activate the remote control battery.

To replace the remote control batteries:



- 1 Open the battery compartment.
- 2 Insert one lithium CR2025 battery with correct polarity (+/-) as indicated.
- 3 Close the battery compartment.



Note

- If you are not going to use the remote control for a long time, remove the battery.

Set clock

- 1 In standby mode, press **CLOCK** for 3 seconds to activate clock setting mode.
 - ↳ [SET CLOCK] scrolls on the display, then the time format [24H] and [12H] appears.
- 2 Press **ALBUM/PRESET** to select 24H or 12H, then press **CLOCK** to confirm.
 - ↳ The hour digits begin to blink.
- 3 Press **ALBUM/PRESET** to set hour, then press **CLOCK** again.
 - ↳ The minute digits begin to blink.

- 4 Press **ALBUM/PRESET** to set minute.
- 5 Press **CLOCK** to confirm the clock setting.



Note

- If no button is pressed in 30 seconds, the system exits clock setting mode automatically.

Turn on

- 1 Press **⏻**.
 - ↳ The unit switches to the last selected source.

Switch to standby mode

- 1 Press **⏻** for over 3 seconds to switch the unit to Eco Power Standby mode.
 - ↳ The backlight on the display panel turns off.
 - ↳ The blue Eco Power indicator turns on.

To switch the unit to standby mode:

- 1 In Eco Power Standby mode, press **⏻** for over 3 seconds.
 - ↳ The clock (if set) appears on the display panel.
 - ↳ The blue Eco Power indicator turns off.

Store radio stations automatically

When the unit is connected to power and no radio stations are stored, the unit begins to store radio stations automatically.

- 1 Connect the unit to power supply.
 - ↳ [AUTO INSTALL PRESS-PLAY KEY](auto install press - play key) is displayed.
- 2 Press **▶||** to start storing.
 - ↳ The unit automatically stores radio stations with sufficient signal strength.
 - ↳ When all the available radio stations are stored, the first preset radio station is broadcast automatically.

4 Play

Basic play operations

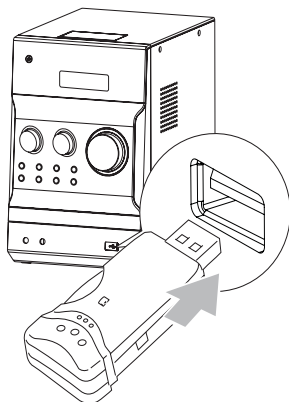
You can control play through following operations.

Key	Function
⏮️▶️	To select a track or file. Press and hold to fast-forward/fast-reverse the track during playback, then release to resume play.
▶️⏸️	To pause/resume play during playback.
DISPLAY	To select different play information.
REPEAT	To select a repeat play mode: [REP] (repeat): play current track repeatedly. [REP ALL] (repeat all): play all tracks repeatedly. [REP] (repeat) and [ALB] (album) (for MP3 and USB only): play the current album repeatedly. Press again to return to normal play.
SHUFFLE	To play tracks randomly. Press again to return to normal play.

Play from disc

- 1 Press **CD** to select the CD source.
- 2 Press **OPEN/CLOSE**.
↳ The disc compartment opens.
- 3 Place a disc with the printed side facing up, then press **OPEN/CLOSE**.
- 4 Play starts automatically.
 - If play does not start, press **⏮️▶️** to select a track, then press **▶️⏸️**.

Play from USB



Warning

- Ensure that the USB device contains playable audio contents for supported formats.

- 1 Flip open the cover marked **⏮️▶️** on the front panel.
- 2 Insert the USB device into the USB socket.
- 3 Press **USB** to select the USB source.
 - ↳ Play starts automatically. If not, press **ALBUM/PRESET** to select a folder and **⏮️▶️** to select a file. Then press **OK** to start play.

Adjust sound

During play, you can adjust volume through following operations.

Key	Function
VOL +/-	To increase/decrease volume. To adjust bass/treble level in bass/treble mode.
MUTE	To mute/restore sound.
LOUDNESS	To turn on/off automatic loudness control.
BASS	To enable bass enhancement.
TREBLE	To enable treble enhancement.

5 Play iPhone/iPod

You can enjoy audio from iPhone/iPod through this unit.

Compatible iPhone/iPod

The unit supports the following iPod and iPhone models:

Made for:

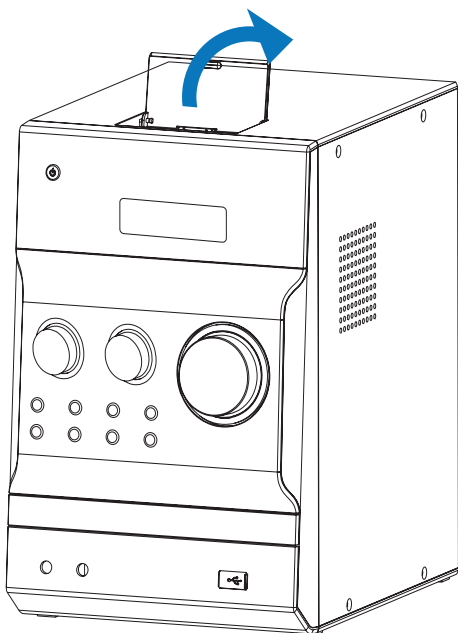
- iPod classic
- iPod with color display
- iPod with video
- iPod nano (1st/2nd/3rd/4th/5th generation)
- iPod Touch (1st/2nd/3rd generation)

Works with:

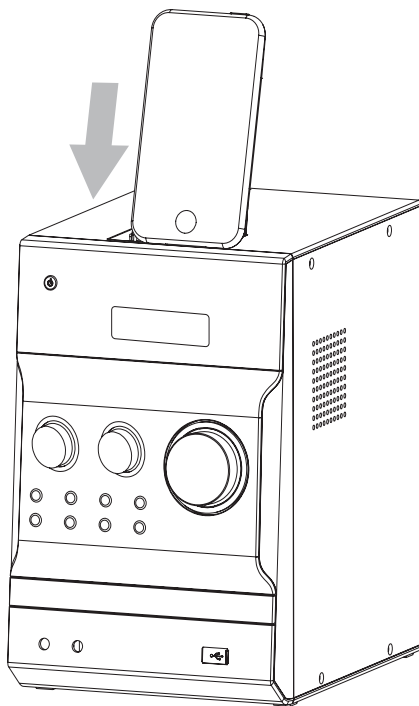
- iPhone
- iPhone 3G
- iPhone 3GS

Listen to the iPhone/iPod

- 1 Press **iPhone/iPod** to select the iPhone/iPod source.
- 2 Open the iPhone/iPod dock on the top panel.



- 3 Place the iPhone/iPod in the dock.



- To pause/resume play, press **▶||**.
- To skip to a track, press **◀▶▶▶**.
- To search during play: press and hold **◀◀** / **▶▶**, then release to resume normal play.
- To navigate the menu: press **MENU** and **▲▼** to select, then press **OK** to confirm.

Note

- When iPod/iPhone source is selected, you cannot enjoy audio through the headphone socket.

Charge the iPhone/iPod

When the unit is connected to power, the docked iPhone/iPod begins to charge.

Remove the iPhone/iPod

- 1 Pull the iPhone/iPod out of the dock.
- 2 Press down to hide the dock.

6 Listen to FM radio

Tune to FM radio stations

Warning

- Ensure that you have connected and fully extended the supplied FM antenna.

- 1 Press **FM**.
- 2 Press and hold **◀▶▶▶** to tune to a radio station.
- 3 When the frequency starts to change, release the button.
 - ↳ The FM tuner tunes to a station with strong reception automatically.
- 4 Repeat steps 2-3 to tune to more stations.

To tune to a weak station:

Press **◀▶▶▶** repeatedly until you find optimal reception.

Program radio stations automatically

Note

- You can program a maximum of 20 preset radio stations.

- 1 In FM tuner mode, press **PROG** for 3 seconds to activate automatic programming.
 - ↳ **[AUTO]** (auto) is displayed.
 - ↳ The unit automatically stores radio stations with sufficient signal strength.
 - ↳ When all the available radio stations are stored, the first preset radio station is broadcast automatically.

Program radio stations manually

Note

- You can program a maximum of 20 preset radio stations.

- 1 Tune to a radio station.
- 2 Press **PROG** to activate programming mode.
- 3 Press **▲▼** to select a number from 1–20 for this radio station, then press **PROG** to confirm.

- ↳ The preset number and the frequency of the preset station are displayed.

- 4 Repeat steps 2-3 to program other stations.

Note

- To overwrite a programmed station, store another station in its place.

Tune to a preset radio station

- 1 Press **▲▼** to select a preset number.

Show RDS information

RDS (Radio Data System) is a service that allows FM stations to show additional information. If you tune to a RDS station, a RDS icon and the station name are displayed.

- 1 Tune to a RDS station.
- 2 Press **RDS** repeatedly to scroll through the following information (if available):
 - ↳ Station name
 - ↳ Program type such as **[NEWS]** (news), **[SPORT]** (sport), **[POP M]** (pop music)...
 - ↳ RDS clock
 - ↳ Frequency

Synchronize clock with RDS

You can synchronize time shown on the unit with that on the RDS station.

- 1 Tune to a RDS radio station that transmits time signals.
- 2 Press **RDS** for over 2 seconds.
 - ↳ **[CT SYNC]** is displayed and the unit reads RDS time automatically.
 - ↳ If no time signal is received, **[NO CT]** is displayed.

Note

- The accuracy of the transmitted time depends on the RDS station that transmits the time signal.

7 Other features

Set alarm timer

This unit can be used as an alarm clock. You can select CD, iPod/iPhone, iPod/iPhone playlist, FM or USB as alarm source.




Note

- Make sure that you have set the clock correctly.

- 1 In standby mode, press and hold **TIMER** until **[SET TIMER]** (set timer) scrolls on the display.
↳ **[SELECT SOURCE]** (select source) scrolls on the screen.
- 2 Press **SOURCE** repeatedly to select a source: CD, FM, USB, iPod/iPhone or iPod/iPhone playlist.
 - If iPod/iPhone playlist is selected as alarm source, you need create a playlist called "PHILIPS" in your iPod/iPhone.
 - If no playlist called "PHILIPS" is created in the iPod/iPhone or no track is stored in the playlist, the unit switches to iPod/iPhone alarm source.
- 3 Press **TIMER** to confirm.
↳ The hour digits are displayed and begin to blink.
- 4 Press **▲/▼** repeatedly to set hour, then press **TIMER** again to confirm.
↳ The minute digits are displayed and begin to blink.
- 5 Press **▲/▼** to set minute, then press **TIMER** to confirm.
↳ **VOL** (volume) is displayed and begins to blink.
- 6 Press **▲/▼** to adjust volume, then press **TIMER** to confirm.
↳ A clock icon is displayed.

Activate/deactivate alarm timer



- 1 In standby mode, press **TIMER** repeatedly to activate or deactivate timer.
↳ If timer is activated,  is displayed.



Tip

- Alarm timer is not available in MP3 LINK mode.
- If CD/USB/iPod/iPhone source is selected, yet no disc is placed or no USB/iPod/iPhone connected, the system switches to the tuner source automatically.

Set sleep timer


- 1 When the unit is turned on, press **SLEEP** repeatedly to select a time period (in minutes).
 - ↳ When sleep timer is activated,  is displayed.
 - ↳ To deactivate sleep timer, press **SLEEP** again until  disappears.

Listen to external audio device

You can listen to an external audio device such as MP3 player through this unit.

- 1 Connect the audio device.
 - For audio device with red/white audio output sockets:
Connect a red/white audio cable (not supplied) to the **AUX IN** sockets and to the audio output sockets on the audio device.
 - For audio device with headphone sockets:
Connect the supplied MP3 Link cable to the **MP3 LINK** socket and to the headphone socket on the audio device.
- 2 Select **MP3 LINK/AUX** source.
- 3 Play the device.

Listen through headphone

- 1 Plug a headphone into the  socket on the unit.

8 Product information



Note

- Product information is subject to change without prior notice.

Specifications

Amplifier

Rated Output Power	2X80W RMS
Frequency Response	30Hz-20kHz
Signal to Noise Ratio	≥75dB
Aux Input	1V RMS 20kohm

Disc

Laser Type	Semiconductor
Disc Diameter	12cm/8cm
Support Disc	CD-DA, CD-R, CD-RW, MP3-CD, WMA-CD
Audio DAC	16Bits / 44.1kHz
Total Harmonic Distortion	<0.8% (1 kHz)
Frequency Response	4Hz - 20kHz (44.1kHz)
S/N Ratio	>75dBA

Tuner (FM)

Tuning Range	87.5 - 108MHz
Tuning grid	50 KHz
Sensitivity	
- Mono, 26dB S/N Ratio	<22 dBf
- Stereo, 46dB S/N Ratio	>43 dBf
Search Selectivity	>28 dBf
Total Harmonic Distortion	<3%
Signal to Noise Ratio	>55 dB

Speakers

Speaker Impedance	6 ohm
Speaker Driver	5" woofer + 1" tweeter
Sensitivity	>85dB/m/W

General information

AC power	220 - 230V, 50Hz
Operation Power Consumption	40W
Eco Standby Power Consumption	≤1W
Audio Output	1Vpp ± 0.1Vpp 3.5kohm
Headphone Output	2x15mW 32ohm
USB Direct	Version 2.0 FS
Dimensions	
- Main Unit (W x H x D)	160 x 242 x 237mm
- Speaker Box (W x H x D)	160 x 242 x 222mm
Weight	
- With Packing	10 kg
- Main Unit	2 kg
- Speaker Box	2.85 x 2 kg

USB playability information

Compatible USB devices:

- USB flash memory (USB 2.0 or USB1.1)
- USB flash players (USB 2.0 or USB1.1)
- memory cards (requires an additional card reader to work with this unit)

Supported formats:

- USB or memory file format FAT12, FAT16, FAT32 (sector size: 512 bytes)
- MP3 bit rate (data rate): 32-320 Kbps and variable bit rate
- WMA v9 or earlier
- Directory nesting up to a maximum of 8 levels
- Number of albums/ folders: maximum 99
- Number of tracks/titles: maximum 999
- ID3 tag v2.0 or later
- File name in Unicode UTF8 (maximum length: 64 bytes)

Unsupported formats:

- Empty albums: an empty album is an album that does not contain MP3/WMA files, and is not be shown in the display.
- Unsupported file formats are skipped. For example, Word documents (.doc) or MP3 files with extension .dlf are ignored and not played.
- AAC, WAV, PCM audio files
- DRM protected WMA files (.wav, .m4a, .m4p, .mp4, .aac)
- WMA files in Lossless format

Supported MP3 disc formats

- ISO9660, Joliet
- Maximum title number: 512 (depending on file name length)
- Maximum album number: 255
- Supported sampling frequencies: 32 kHz, 44.1kHz, 48 kHz
- Supported Bit-rates: 32~320 (kbps), variable bit rates

9 Troubleshooting



Warning

- Never remove the casing of this apparatus.

To keep the warranty valid, never try to repair the system yourself.

If you encounter problems when using this apparatus, check the following points before requesting service. If the problem remains unsolved, go to the Philips web site (www.philips.com/welcome). When you contact Philips, ensure that the apparatus is nearby and the model number and serial number are available.

No power

- Ensure that the AC power cord of the unit is connected properly.
- Ensure that there is power at the AC outlet.
- As a power-saving feature, the system switches off automatically 15 minutes after track play reaches the end and no control is operated.

No sound or poor sound

- Adjust the volume.
- Disconnect the headphones.
- Check that the speakers are connected correctly.
- Check if the stripped speaker wires are clamped.

No response from the unit

- Disconnect and reconnect the AC power plug, then turn on the unit again.
- As a power-saving feature, the system switches off automatically 15 minutes after track play reaches the end and no control is operated.

Remote control does not work

- Before you press any function button, first select the correct source with the remote control instead of the main unit.
- Reduce the distance between the remote control and the unit.
- Insert the battery with its polarities (+/- signs) aligned as indicated.
- Replace the battery.
- Aim the remote control directly at the sensor on the front of the unit.

No disc detected

- Insert a disc.
- Check if the disc is inserted upside down.

- Wait until the moisture condensation at the lens has cleared.
- Replace or clean the disc.
- Use a finalized CD or correct format disc.

Cannot display some files in USB device

- The number of folders or files in the USB device has exceeded a certain limit. This phenomenon is not a malfunction.
- The formats of these files are not supported.

USB device not supported

- The USB device is incompatible with the unit. Try another one.

Poor radio reception

- Increase the distance between the unit and your TV or VCR.
- Fully extend the FM antenna.
- Connect an outdoor FM antenna instead.

Timer does not work

- Set the clock correctly.
- Switch on the timer.

Clock/timer setting erased

- Power has been interrupted or the power cord has been disconnected.
- Reset the clock/timer.

