

Register your product and get support at
www.philips.com/welcome

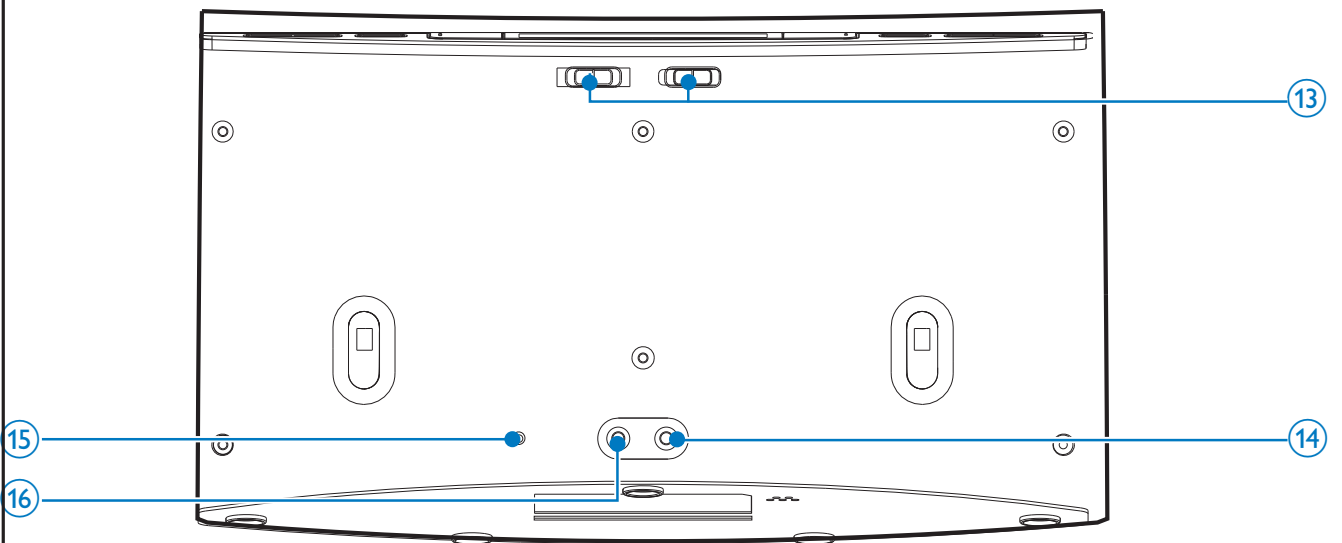
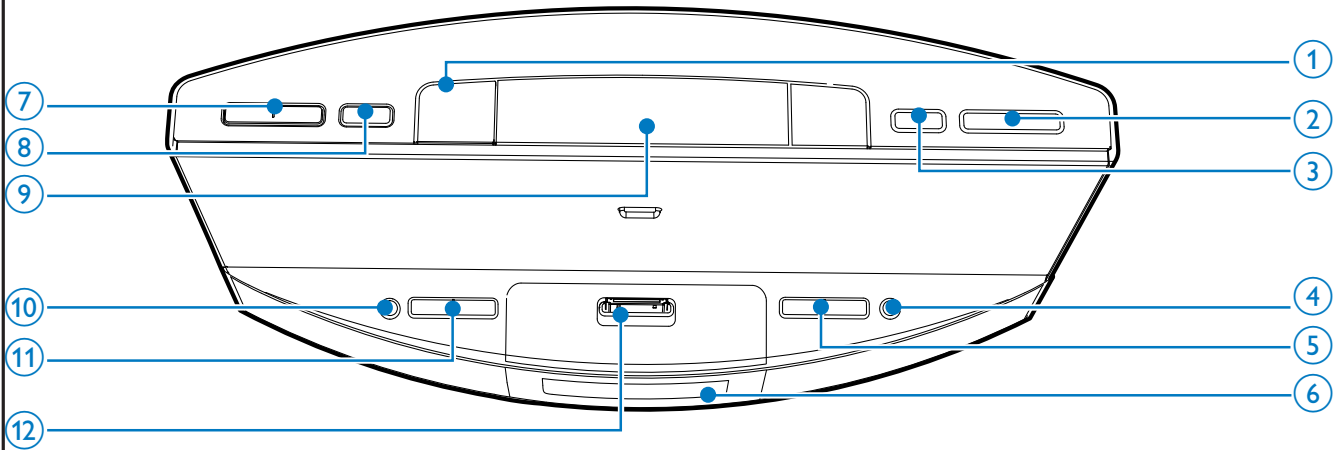
AJ7041D



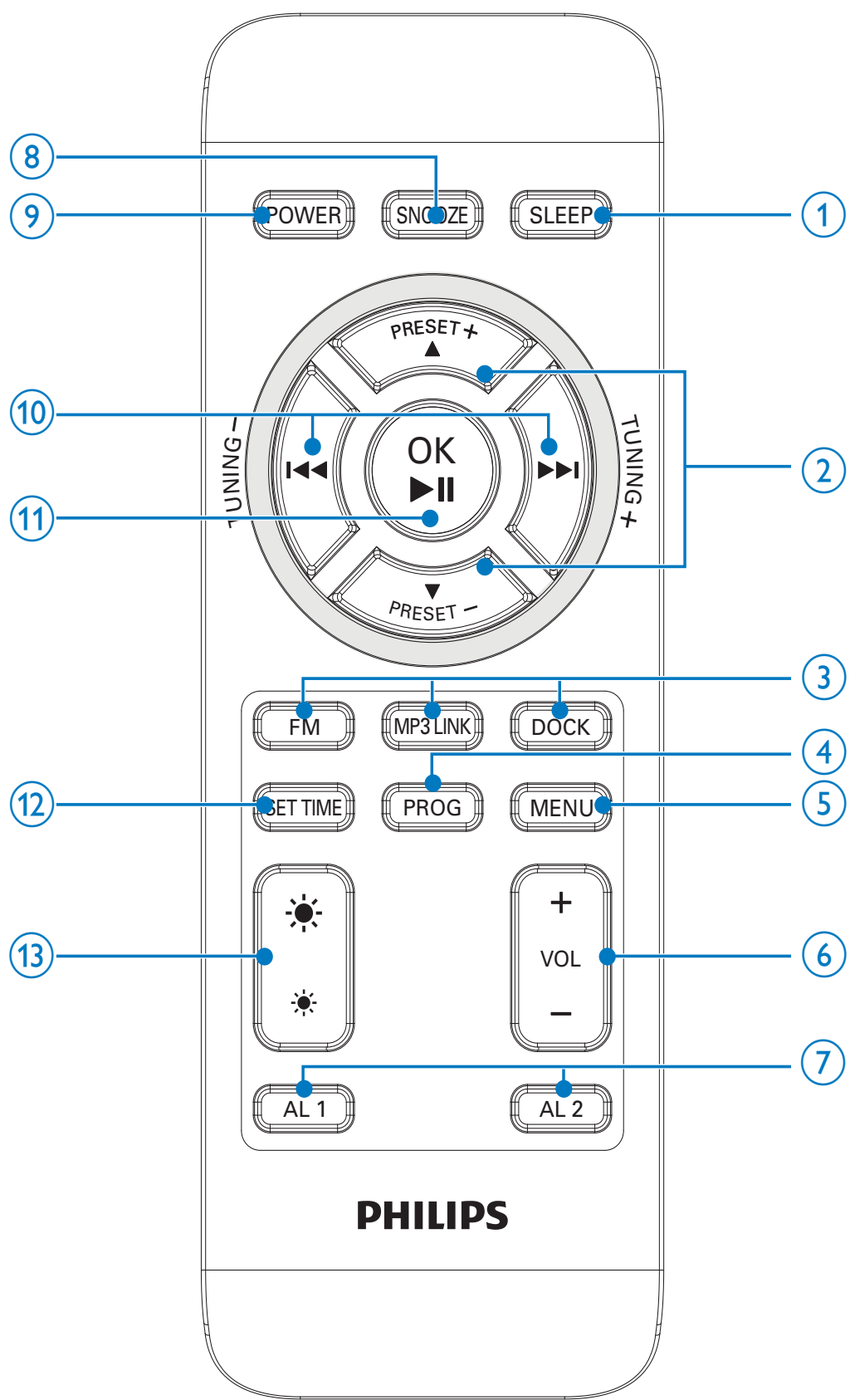
User manual

PHILIPS

A

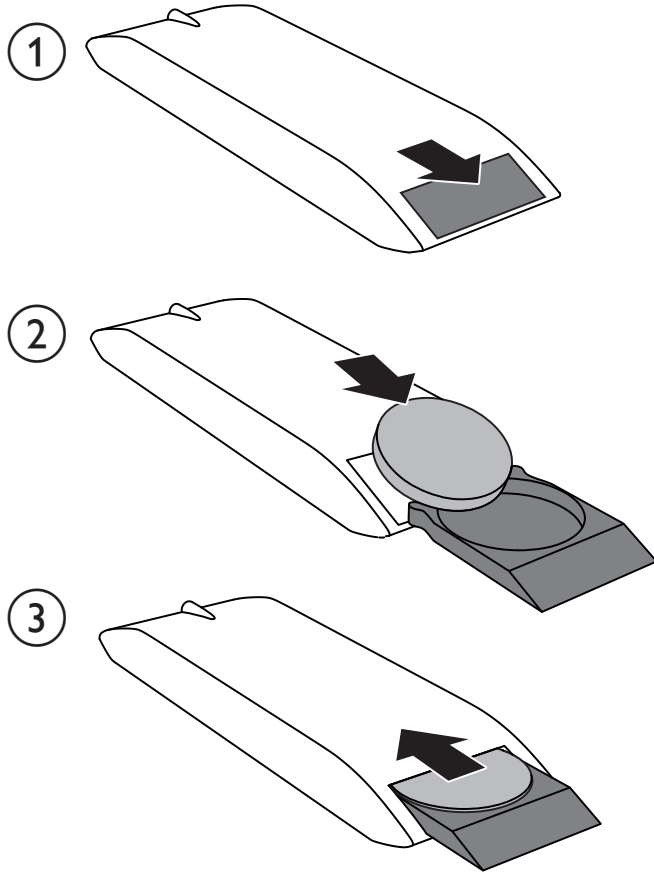


B

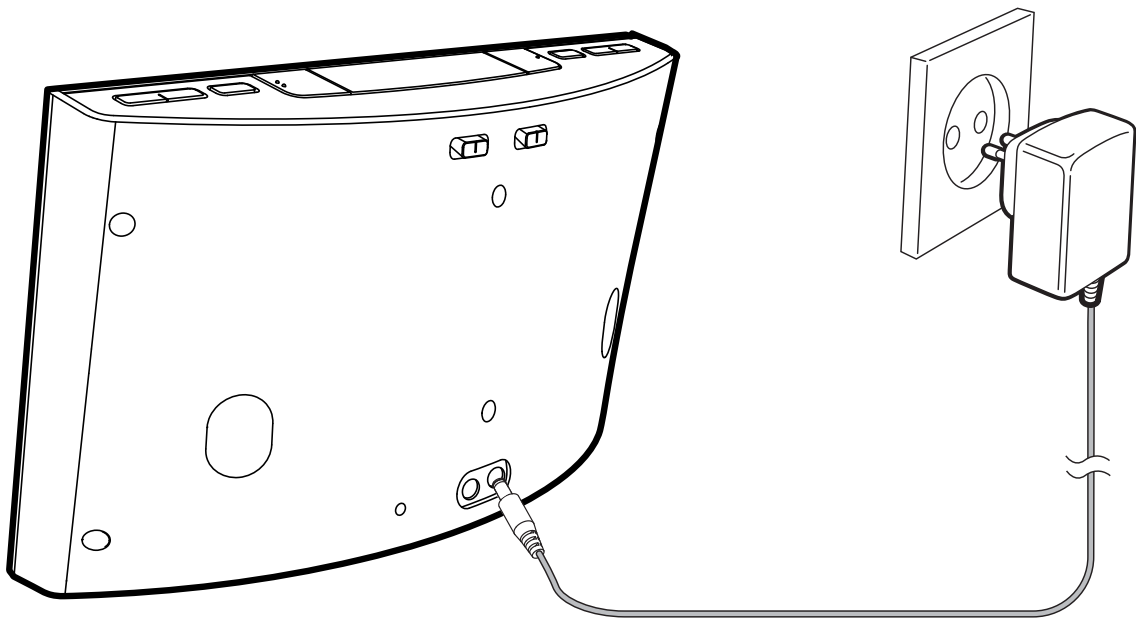


PHILIPS

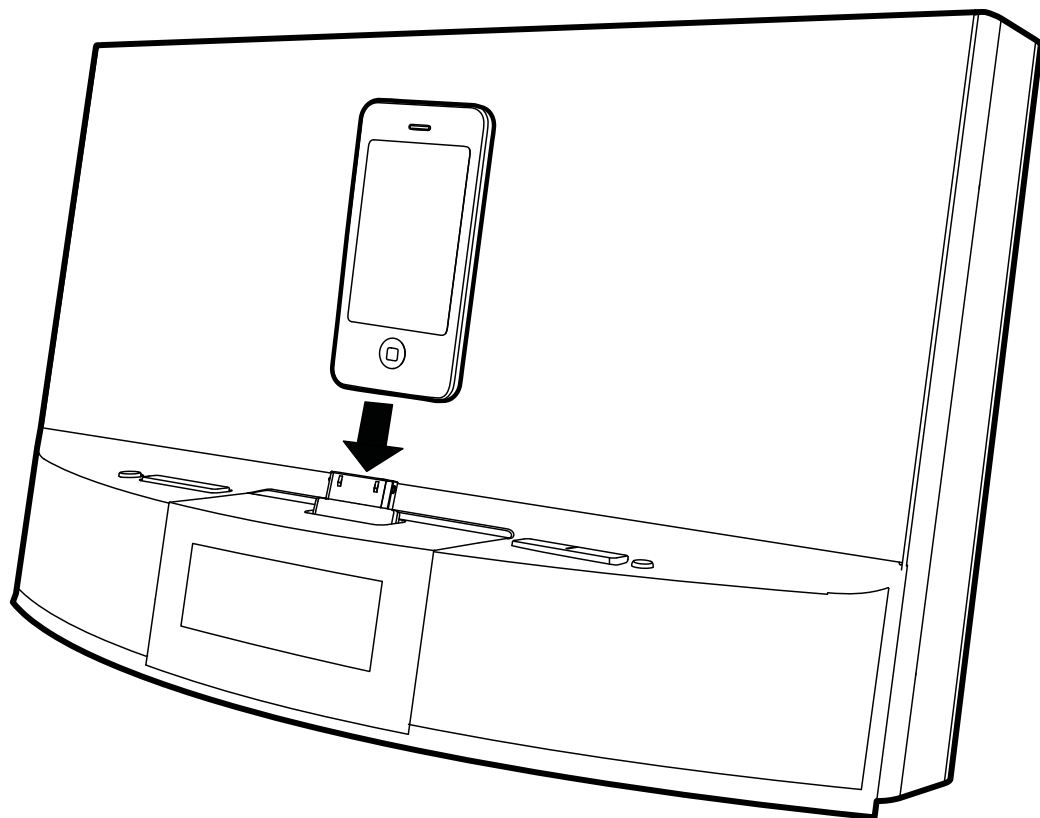
C



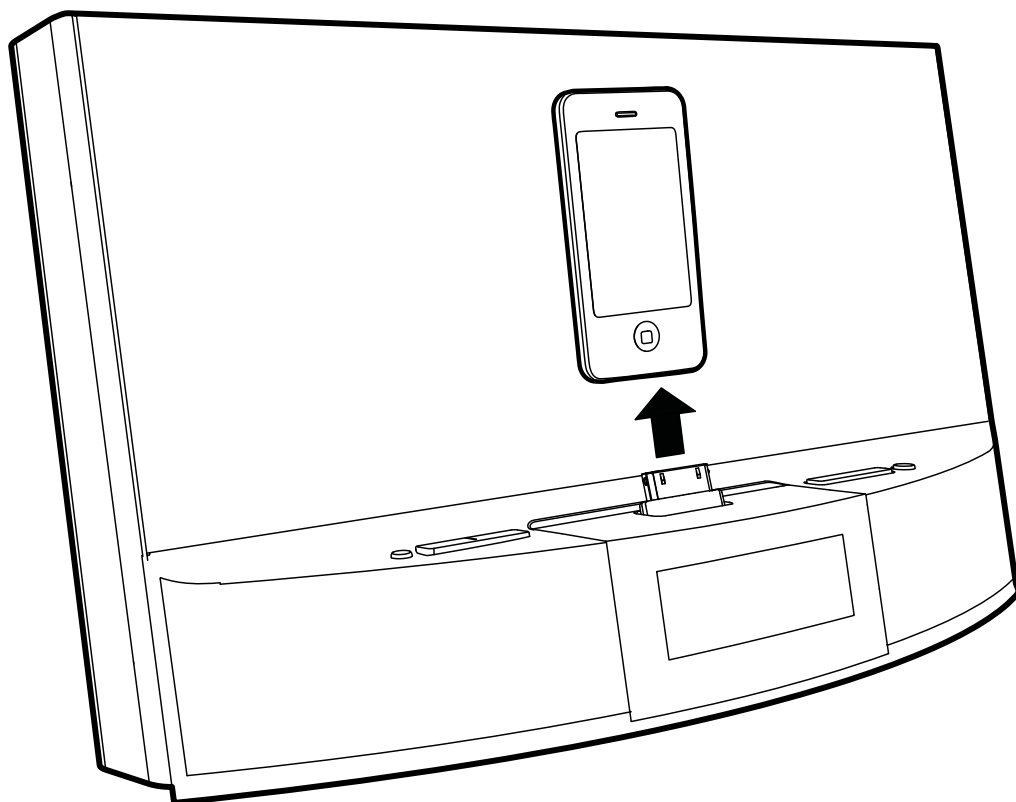
D



E



F



Important

Safety

- Read these instructions.
 - Heed all warnings.
 - Follow all instructions.
 - Do not block any ventilation openings. Install in accordance with the manufacturer's instructions.
 - Do not install near any heat sources such as radiators, heat registers, stoves, or other apparatus (including amplifiers) that produce heat.
 - Protect the power cord from being walked on or pinched, particularly at plugs, convenience receptacles, and the point where they exit from the clock radio.
 - Only use attachments/accessories specified by the manufacturer.
 - Unplug this clock radio during lightning storms or when unused for long periods of time.
 - Refer all servicing to qualified service personnel. Servicing is required when the clock radio has been damaged in any way, such as power-supply cord or plug is damaged, liquid has been spilled or objects have fallen into the clock radio, the clock radio has been exposed to rain or moisture, does not operate normally, or has been dropped.
 - This clock radio shall not be exposed to dripping or splashing.
 - Do not place any sources of danger on the clock radio (e.g. liquid filled objects, lighted candles).
- Where the plug of the Direct Plug-in Adapter is used as the disconnect device, the disconnect device shall remain readily operable.

2 Your clock radio

Congratulations on your purchase, and welcome to Philips! To fully benefit from the support that Philips offers, register your product at www.philips.com/welcome.

Introduction

With this clock radio, you can:

- listen to FM radio;
- enjoy audio from iPod/iPhone or an external device;
- know the time; and
- wake up by buzzer alarm, radio, or audio in iPod/iPhone.

What's in the box

Check and identify the contents of your package:

- Main unit
- Remote control (with a battery)
- Adapter
- User manual

Overview of the main unit ^(A)

① AL1/AL2

- Set alarm.
- View alarm settings.
- Activate/deactivate alarm timer.

② ⏮ / ⏭ TUNING +/-

- Tune to an FM radio station.
- Adjust minute and hour format.
- Skip to previous/next track.
- Search within a track.

③ ▶ ||

- Start/pause play.

④ SLEEP

- Set sleep timer.

⑤ VOLUME +/-

- Adjust volume.

⑥ Display panel

- Show current information.

⑦ PRESET ▲ ▼

- Select a preset radio station.
- Adjust hour and hour format.
- Skip to previous/next album.

⑧ SET TIME/PROG

- Set clock.
- Store radio stations automatically and manually.

⑨ SNOOZE/BRIGHTNESS

- Snooze alarm.
- Adjust display brightness.

⑩ ⏻

- Turn on/off the clock radio.
- Switch the clock radio to standby mode.

⑪ SOURCE

- Select a source.

⑫ Dock for iPod/iPhone

⑬ AL1/AL2 RADIO ·BUZZ ·DOCK

- Select alarm source.

⑭ DC IN

- Connect power.

⑮ FM ANTENNA

- Improve FM reception.

⑯ MP3 LINK

- Connect an external audio device.

Overview of the remote control **B**

① SLEEP

- Set sleep timer.

② PRESET +/- ▲▼

- Select a preset radio station.
- Adjust hour and hour format.
- Skip to previous/next album.

③ Source selection buttons: FM, MP3 LINK, DOCK

- Select a source.

④ PROG

- Store radio stations.

⑤ MENU

- Access iPod/iPhone menu.

⑥ VOL +/-

- Adjust volume.

⑦ AL1/AL2

- Set alarm.
- View alarm settings.
- Activate/deactivate alarm timer.

⑧ SNOOZE

- Snooze alarm.

⑨ POWER

- Turn on/off the clock radio.
- Switch the clock radio to standby mode.

⑩ ⏮ / ⏭ TUNING +/-

- Tune to an FM radio station.
- Adjust minute and hour format.
- Skip to previous/next track.
- Search within a track.

⑪ OK/▶||

- Start/pause play.
- Confirm a selection.

⑫ SET TIME

- Set clock.

⑬ ☀

- Adjust display brightness.

3 Get started

Always follow the instructions in this chapter in sequence.


Install remote control battery

Caution

- Risk of explosion! Keep batteries away from heat, sunshine or fire. Never discard batteries in fire.
- Danger of explosion if battery is incorrectly replaced. Replace only with the same or equivalent type.
- The battery contains chemical substances, so it should be disposed of properly.
- Keep children away from the battery.

For first-time use:

Remove the protective tab to activate the battery.

To replace the battery, refer to the illustration. 


Connect power

Caution

- Risk of product damage! Ensure that the power voltage corresponds to the voltage printed on the back or underside of the clock radio.
- Risk of electric shock! When you unplug the AC adapter, always pull the plug from the socket. Never pull the cord.

Warning

- To reduce the risk of fire or electric shock, do not expose this clock radio to rain or moisture.

Connect the power adapter to the wall socket. 

Set clock

1 In standby mode, press and hold **SET TIME** for two seconds to activate clock setting mode.

- ↳ The hour and minute digits begin to blink.

2 Press  /  and  /  repeatedly to set the hour and minute.

3 Press **SET TIME** to confirm.
↳ **[12H]** or **[24H]** begins to blink.

4 Repeat Steps 2-3 to select 12/24 hour format.

- ↳ The set time is displayed.

Note

- When iPod/iPhone is connected, the clock radio synchronizes time from the iPod/iPhone automatically.

Turn on


Press .

- ↳ The clock radio switches to the last selected source.

Tip

- To select a source, press **SOURCE** repeatedly or the source selection buttons on the remote control.

Switch to standby mode

Press  again to switch the clock radio to standby mode.

- ↳ The clock (if set) appears on the display panel.

4 Play from iPod/iPhone

You can enjoy audio from iPod/iPhone through this clock radio.

Compatible iPod/iPhone

The clock radio supports these iPod and iPhone models:

Made for:

- iPod touch (1st, 2nd, 3rd, and 4th generation)
- iPod classic
- iPod with video
- iPod nano (1st, 2nd, 3rd, 4th, 5th, and 6th generation)
- iPod with color display
- iPod mini
- iPhone 4
- iPhone 3GS
- iPhone 3G
- iPhone

Listen to audio from iPod/iPhone

- 1 Place the iPod/iPhone in the dock. (E)
- 2 Press **SOURCE** repeatedly or **DOCK** on the remote control to select iPod/iPhone mode.
- 3 Start to play audio from the iPod/iPhone.
 - To pause/resume play, press ►||.
 - To skip to a track, press ◀◀ / ▶▶.
 - To search during play, press and hold ◀◀ / ▶▶, then release to resume normal play.
 - To navigate the menu: press **MENU**, then press ▲ / ▼ to select, and press **OK** to confirm.

Remove the iPod/iPhone (F)

Pull the iPod/iPhone out of the dock.

Charge the iPod/iPhone

When the clock radio is connected to power, the docked iPod/iPhone starts charging.

Adjust volume

You can adjust volume by pressing **VOL +/-** repeatedly.

5 Listen to FM radio

Note

- To remove a pre-stored station, store another station in its place.

Tune to FM radio stations

Tip

- Position the antenna as far as possible from TV, VCR, or other radiation source.
- For better reception, fully extend and adjust the position of the antenna.

- 1 Press **FM** to select FM tuner source.
- 2 Press and hold **TUNING +/-** for two seconds.
 - ↳ The clock radio tunes to a station with strong reception automatically.
- 3 Repeat step 2 to tune to more radio stations.

To tune to a station manually:

- 1 Press **TUNING +/-** repeatedly until you find optimal reception.

Store FM radio stations automatically

You can store a maximum of 20 FM radio stations.

In tuner mode, press and hold **PROG** for two seconds.

- ↳ The clock radio stores all the available FM radio stations and broadcasts the first available station automatically.

Store FM radio stations manually

- 1 Tune to an FM radio station.
- 2 Press **PROG**.
 - ↳ The preset number begins to blink.
- 3 Press **PRESET +/-** or **TUNING +/-** repeatedly to select a number.
- 4 Press **PROG** again to confirm.
- 5 Repeat steps 1 to 4 to store other stations.

Select a preset radio station

In tuner mode, press **PRESET +/-** or **TUNING +/-** repeatedly to select a preset number.

6 Other features

Set alarm timer

Set alarm

In standby mode, you can set two alarms to ring at different time.

Note

- Make sure that you have set the clock correctly.

- 1 Press and hold **AL1/AL2** for two seconds to activate alarm setting mode.
 - ↳ The hour and minute digits begin to blink.
- 2 Press **▲ / ▼** and **◀◀ / ▶▶** repeatedly to set the hour and minute.
- 3 Press **AL1/AL2** to confirm.

Select alarm source

Note

- For alarm sound, you can select buzzer, your last listened radio channel, or latest played audio in your iPod/iPhone.

Adjust **AL1/AL2 RADIO ·BUZZ·DOCK** control to select alarm source for both alarms.

Tip

- When alarm time comes, the selected radio, buzzer, or iPod/iPhone turns on.
- If iPhone is selected as alarm source, while no iPod/iPhone is connected, the clock radio switches to buzzer source instead.

Activate/deactivate alarm timer

- 1 Press **AL1/AL2** to view alarm settings.
- 2 Press **AL1/AL2** again to activate or deactivate the alarm timer.
 - ↳ The alarm icon appears if alarm timer is on and disappears if it is off.

- To stop the ringing alarm, press the corresponding **AL1/AL2**.
- The alarm repeats ringing for the next day.

Snooze alarm

When alarm sounds, press **SNOOZE**.

- ↳ The alarm snoozes and repeats ringing nine minutes later.

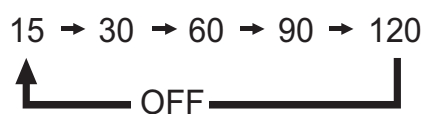
Set sleep timer

This clock radio can switch to standby mode automatically after a preset period.

Press **SLEEP** repeatedly to select the sleep timer period (in minutes).

- ↳ When the sleep timer is activated, **zZ** appears.

To deactivate the sleep timer, press **SLEEP** repeatedly until **[OFF]** (off) appears.



Play audio from an external device

You can listen to audio from an external device through this clock radio.

- 1 Connect the MP3 link cable to:
 - the **MP3 LINK** socket.
 - the headphone socket of an external device.
- 2 Press **MP3 LINK** to select MP3 link source.
- 3 Start to play the external device (see the user manual of this device).

Adjust display brightness

Press **BRIGHTNESS** repeatedly to select different brightness levels.

7 Product information



Note

- Product information is subject to change without prior notice.

Specifications

Amplifier

Rated Output Power	20W RMS
--------------------	---------

Tuner

Tuning Range	FM: 87.5 - 108 MHz
--------------	--------------------

Sensitivity

- Mono, 26dB S/N Ratio FM: <22 dBf

Search Selectivity	FM: <28 dBf
--------------------	-------------

Total Harmonic Distortion FM: <2%

Signal to Noise Ratio	FM: >55 dB
-----------------------	------------

General information

AC Power	Model: AS190-100-AE180; Input: 100-240 V ~, 50/60Hz, 0.7A; Output: DC10V = 1.8A
----------	---

Operation Power Consumption	<12 W
-----------------------------	-------

Standby Power Consumption	<2 W
---------------------------	------

Dimensions

- Main Unit (W x H x D)
290 x 158 x 113 mm

Weight

- With Packing	2.08 kg
- Main Unit	1.43 kg

8 Troubleshooting



Warning

- Never remove the casing of this apparatus.

To keep the warranty valid, never try to repair the system yourself.

If you encounter problems when using this apparatus, check the following points before requesting service. If the problem remains unsolved, go to the Philips web site (www.philips.com/welcome). When you contact Philips, ensure that the apparatus is nearby and the model number and serial number are available.

No power

- Ensure that the AC power plug of the clock radio is connected properly.
- Ensure that there is power at the AC outlet.

No response from the clock radio

- Disconnect and reconnect the AC power plug, then turn on the clock radio again.

Poor radio reception

- Keep the clock radio away from other electronic devices to avoid radio interference.
- Fully extend and adjust the position of the FM antenna.

Alarm does not work

- Set the clock/alarm correctly.

Clock/alarm setting erased

- Power has been interrupted or the power plug has been disconnected.
- Reset the clock/alarm.

9 Notice



This product complies with the radio interference requirements of the European Community.

Any changes or modifications made to this device that are not expressly approved by Philips Consumer Lifestyle may void the user's authority to operate the equipment.



Your product is designed and manufactured with high quality materials and components, which can be recycled and reused.



When this crossed-out wheeled bin symbol is attached to a product it means that the product is covered by the European Directive 2002/96/EC.

Please inform yourself about the local separate collection system for electrical and electronic products.

Please act according to your local rules and do not dispose of your old products with your normal household waste. Correct disposal of your old product helps to prevent potential negative consequences for the environment and human health.



Your product contains batteries covered by the European Directive 2006/66/EC, which cannot be disposed with normal household waste. Please inform yourself about the local rules on separate collection of batteries because correct disposal helps to prevent negative consequences for the environmental and human health.

Environmental information

All unnecessary packaging has been omitted. We have tried to make the packaging easy to separate into three materials: cardboard (box), polystyrene foam (buffer) and polyethylene (bags, protective foam sheet.)

Your system consists of materials which can be recycled and reused if disassembled by a specialized company. Please observe the local regulations regarding the disposal of packaging materials, exhausted batteries and old equipment.



“Made for iPod” and “Made for iPhone” mean that an electronic accessory has been designed to connect specifically to iPod or iPhone respectively, and has been certified by the developer to meet Apple performance standards. Apple is not responsible for the operation of this device or its compliance with safety and regulatory standards. Please note that the use of this accessory with iPod or iPhone may affect wireless performance. iPod and iPhone are trademarks of Apple Inc., registered in the U.S. and other countries.

Note

- The type plate is located on the bottom of the apparatus.

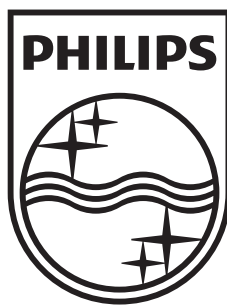
2011 © Koninklijke Philips Electronics N.V. All rights reserved.

Specifications are subject to change without notice. Trademarks are the property of Koninklijke Philips Electronics N.V. or their respective owners. Philips reserves the right to change products at any time without being obliged to adjust earlier supplies accordingly.

Norge

Typeskilt finnes på apparatens underside. Observer: Nettbryteren er sekundært innkoplet. Den innebygde nettdelen er derfor ikke frakoplet nettet så lenge apparatet er tilsluttet nettkontakten.

For å redusere faren for brann eller elektrisk støt, skal apparatet ikke utsettes for regn eller fuktighet.



Specifications are subject to change without notice
© 2011 Koninklijke Philips Electronics N.V.
All rights reserved.

AJ7041D_12_UM_V1.0

