

Register your product and get support at  
[www.philips.com/welcome](http://www.philips.com/welcome)

HSB4383/98



---

EN User manual

---

ZH-TW 使用手冊

---

**PHILIPS**

# Contents

<b>1 Important</b>	5	Play from USB	20
Safety	5	Play DivX video	20
Notice	6	Play MP3/WMA/picture files	20
<hr/>		Play control	21
<b>2 Your DVD Home Theater System</b>	8	Select repeat/shuffle play options	21
Introduction	8	Repeat A-B (DVD/VCD/CD/MP3/WMA)	21
What's in the box	8	Search forward/backward	21
Overview of the main unit	9	Resume video play from last stopped point	21
Overview of the remote control	10	Play options	21
<hr/>		Display play information	21
<b>3 Connect</b>	12	Zoom in/out image	21
Place the unit	12	Change the audio channel	21
Attach speakers to the main unit	12	Picture view options	22
Connect TV	12	Start slideshow of pictures	22
Connect video cables	12	Rotate picture	22
Option 1: Connect through HDMI	13	Start musical slideshow	22
Option 2: Connect through component video	13	<hr/>	
Option 3: Connect through composite video	14	<b>6 Adjust settings</b>	23
Connect audio cables	14	General setup	23
Connect FM antenna	14	Switch to standby mode	23
Connect power	14	Audio setup	24
<hr/>		Video setup	24
<b>4 Get started</b>	16	Preference setup	25
Prepare the remote control	16	<hr/>	
Turn on	16	<b>7 Tune to FM radio stations</b>	27
Set up wireless connection manually	16	Program radio stations automatically	27
Find the correct viewing channel	17	Program radio stations manually	27
Select the correct TV system	17	Tune to a preset radio station	27
Select menu display language	17	<hr/>	
Turn on Progressive Scan	17	<b>8 Adjust volume level and sound effect</b>	28
Turn off progressive scan manually	18	Adjust volume level	28
Use Philips EasyLink	18	Select a sound effect	28
<hr/>		Select a preset sound effect	28
<b>5 Play</b>	19	Select surround sound effect	28
Play discs	19	Adjust treble/bass level	28
Use the disc menu	19	Mute sound	28
Select an audio language	19	<hr/>	
Select a subtitle language	19	<b>9 Other features</b>	29
Sync audio output with video play	19	Set the sleep timer	29
<hr/>		Connect other devices	29
		Listen to an audio player	29

---

<b>10 Product information</b>	30
Specifications	30
Amplifier	30
Disc	30
Tuner (FM)	30
Speakers	30
General information	31
Supported disc formats	31
USB playability information	31

---

<b>11 Troubleshooting</b>	32
---------------------------	----

---

<b>12 Appendix</b>	34
Mount to a wall	34
What's in the supplied mounting kit	34
What else you'll need	34
Mount the main unit and speakers	34

# 1 Important

Know these safety symbols



This 'bolt of lightning' indicates uninsulated material within your unit may cause an electrical shock. For the safety of everyone in your household, please do not remove product covering.

The 'exclamation point' calls attention to features for which you should read the enclosed literature closely to prevent operating and maintenance problems.

**WARNING:** To reduce the risk of fire or electric shock, this apparatus should not be exposed to rain or moisture and objects filled with liquids, such as vases, should not be placed on this apparatus.

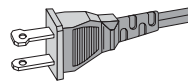
**CAUTION:** To prevent electric shock, match wide blade of plug to wide slot, fully insert.

## Safety

- ① Read these instructions.
- ② Keep these instructions.
- ③ Heed all warnings.
- ④ Follow all instructions.
- ⑤ Do not use this apparatus near water.
- ⑥ Clean only with dry cloth.

- ⑦ Do not block any ventilation openings. Install in accordance with the manufacturer's instructions.
- ⑧ Do not install near any heat sources such as radiators, heat registers, stoves, or other apparatus (including amplifiers) that produce heat.
- ⑨ For countries with a polarized mains, do not defeat the safety purpose of the polarized or grounding-type plug. A polarized plug has two blades with one wider than the other. A grounding type plug has two blades and a third grounding prong. The wide blade or the third prong is provided for your safety. If the provided plug does not fit into your outlet, consult an electrician for replacement of the obsolete outlet.

**Caution:** To prevent electric shock, match the wide blade of the plug to the wide slot, fully insert.



- ⑩ Protect the power cord from being walked on or pinched, particularly at plugs, convenience receptacles, and the point where they exit from the apparatus.
- ⑪ Only use attachments/accessories specified by the manufacturer.
- ⑫ Use only with the cart, stand, tripod, bracket, or table specified by the manufacturer or sold with the apparatus. When a cart is used, use caution when moving the cart/apparatus combination to avoid injury from tip-over.



- ⑬ Unplug this apparatus during lightning storms or when unused for long periods of time.

- ⑭ Refer all servicing to qualified service personnel. Servicing is required when the apparatus has been damaged in any way, such as power-supply cord or plug is damaged, liquid has been spilled or objects have fallen into the apparatus, the apparatus has been exposed to rain or moisture, does not operate normally, or has been dropped.
- ⑮ **Battery usage CAUTION – To prevent battery leakage which may result in bodily injury, property damage, or damage to the apparatus:**
  - Install all batteries correctly, + and - as marked on the apparatus.
  - Do not mix batteries (old and new or carbon and alkaline, etc.).
  - Remove batteries when the unit is not used for a long time.
  - The batteries shall not be exposed to excessive heat such as sunshine, fire or the like.
- ⑯ Apparatus shall not be exposed to dripping or splashing.
- ⑰ Do not place any sources of danger on the apparatus (e.g. liquid filled objects, lighted candles).
- ⑱ This product may contain lead and mercury. Disposal of these materials may be regulated due to environmental considerations. For disposal or recycling information, please contact your local authorities or the Electronic Industries Alliance: [www.eiae.org](http://www.eiae.org).



#### Warning

- Never remove the casing of this unit.
- Never lubricate any part of this unit.
- Place this unit on a flat, hard and stable surface.
- Never place this unit on other electrical equipment.
- Only use this unit indoors. Keep this unit away from water, moisture and liquid-filled objects.
- Keep this unit away from direct sunlight, naked flames or heat.
- Never look into the laser beam inside the unit.



#### Warning

- Where the MAINS plug or an appliance coupler is used as the disconnect device, the disconnect device shall remain readily operable.

Wall mounting of the unit should only be performed by qualified personnel. The unit must only be mounted on an appropriate wall bracket and on a wall that can safely hold the weight of the unit. Improper wall mounting can result in severe injury or damage. Do not attempt to wall mount the unit yourself.

## Notice

Any changes or modifications made to this device that are not expressly approved by Philips Consumer Lifestyle may void the user's authority to operate the equipment.

#### Environmental information

All unnecessary packaging has been omitted. We have tried to make the packaging easy to separate into three materials: cardboard (box), polystyrene foam (buffer) and polyethylene (bags, protective foam sheet.)

Your system consists of materials which can be recycled and reused if disassembled by a specialized company. Please observe the local regulations regarding the disposal of packaging materials, exhausted batteries and old equipment.



Be responsible  
Respect copyrights

The making of unauthorized copies of copy-protected material, including computer programs, files, broadcasts and sound recordings, may be an infringement of copyrights and constitute a criminal offence. This equipment should not be used for such purposes.



HDMI, and HDMI logo and High-Definition Multimedia Interface are trademarks or registered trademarks of HDMI licensing LLC.



DivX, DivX Certified, and associated logos are trademarks of DivX, Inc. and are used under license.

Official DivX® Ultra Certified product. Plays all versions of DivX® video (including DivX® 6) with enhanced playback of DivX® media files and the DivX® Media Format.



Manufactured under license under U.S. Patent #'s: 5,451,942; 5,956,674; 5,974,380; 5,978,762; 6,487,535 & other U.S. and worldwide patents issued & pending. DTS and DTS Digital Surround are registered trademarks and the DTS logos and Symbol are trademarks of DTS, Inc. © 1996-2007 DTS, Inc. All Rights Reserved.



The USB-IF Logos are trademarks of Universal Serial Bus Implementers Forum, inc.



Manufactured under license from Dolby Laboratories. Dolby, Pro Logic and the double-D symbol are trademarks of Dolby Laboratories.



Manufactured under license from Dolby Laboratories.

Dolby and the double-D symbol are trademarks of Dolby Laboratories.



ENERGY STAR and the ENERGY STAR mark are registered U.S. marks.

**Note**

- This equipment has been tested and found to comply with the limits for a Class B digital device, pursuant to Part 15 of the FCC Rules. These limits are designed to provide reasonable protection against harmful interference in a residential installation. This equipment generates, uses and can radiate radio frequency energy and, if not installed and used in accordance with the instructions, may cause harmful interference to radio communications. However, there is no guarantee that interference will not occur in a particular installation.

If this equipment does cause harmful interference to radio or television reception, which can be determined by turning the equipment off and on, the user is encouraged to try to correct the interference by one or more of the following measures:

- Reorient or relocate the receiving antenna.
- Increase the separation between the equipment and receiver.
- Connect the equipment into an outlet on a circuit different from that to which the receiver is connected.
- Consult the dealer or an experienced radio/TV technician for help.

**This apparatus includes this label:**



**Note**

- The type plate is located on the bottom of the apparatus.

## 2 Your DVD Home Theater System

Congratulations on your purchase, and welcome to Philips! To fully benefit from the support that Philips offers, register your product at [www.Philips.com/welcome](http://www.Philips.com/welcome).

This DVD Home Theater System is designed to complement your home perfectly. Enjoy the DVD Home Theater System with multi-channel surround sound and excellent picture quality.

---

### Introduction

#### With this unit, you can:

- watch video from DVD/VCD/SVCD or USB devices
- enjoy audio from discs or USB devices
- view pictures from discs or USB devices
- listen to FM radio
- Control EasyLink-compliant devices through a single remote control
- Sync audio output with the video output



#### You can enrich sound output with these sound effects:

- Surround sound experience
- Preset sound modes

The unit supports these media/disc formats:



You can play DVD discs with the following region codes:

DVD region code	Countries
	Asia Pacific, Taiwan, Korea
	Australia, New Zealand

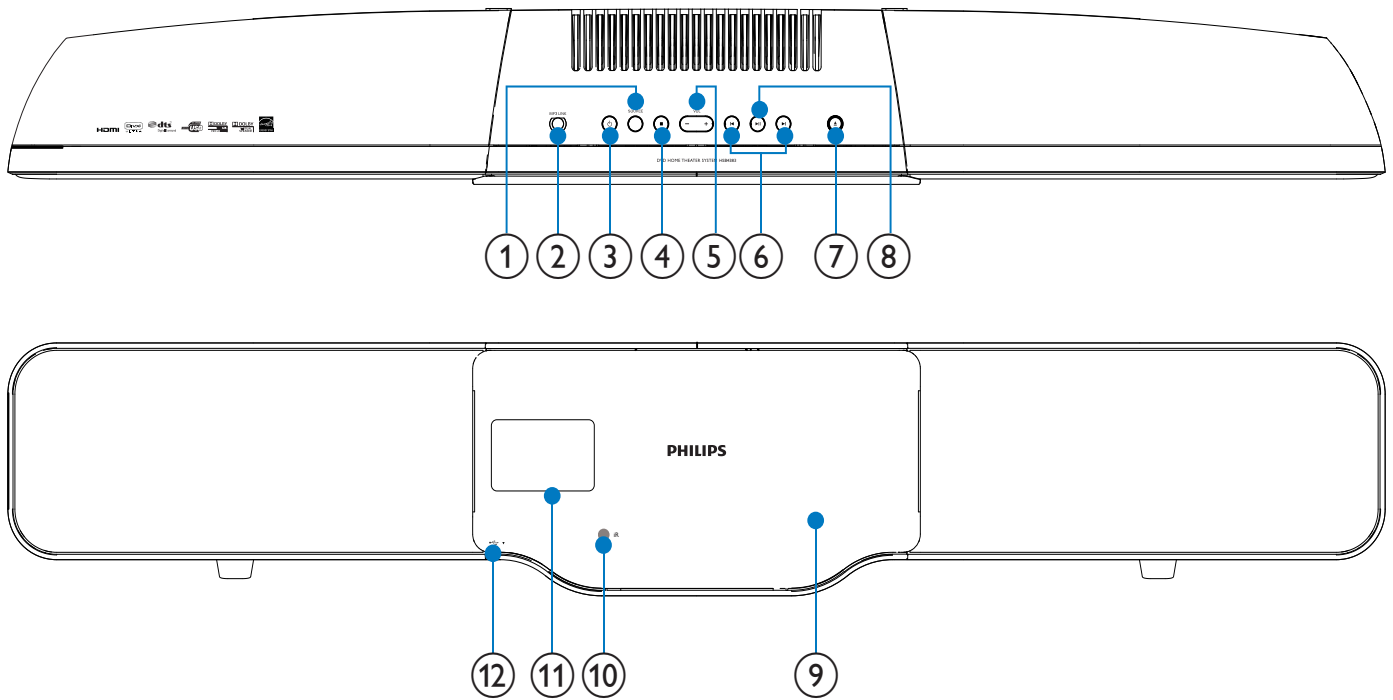
---

### What's in the box

Check and identify the contents of your package:

- Main unit
- Speakers (x 2)
- Digital wireless subwoofer
- Power adapter for the main unit
- Remote control (with batteries)
- FM wire antenna
- AV cable (red/white/yellow)
- USB extension cable
- Wall mount bracket and screws (x4)

## Overview of the main unit



### Caution

- Use of controls or adjustments or performance of procedures other than herein may result in hazardous radiation exposure or other unsafe operation.

#### ① SOURCE

- Select a source.

#### ② MP3 LINK

- Jack for an external audio device.

#### ③

- Turn on the unit or switch to standby mode.

#### ④

- Stop play.
- Erase a preset radio station.

#### ⑤ VOL -/+

- Adjust volume.

#### ⑥

- Skip to the previous/next title/ chapter/track.
- Select a preset radio station.

#### ⑦

- Open the disc compartment.

#### ⑧

- Start or pause play.

#### ⑨ Disc compartment

#### ⑩ Remote control sensor

#### ⑪ Display panel

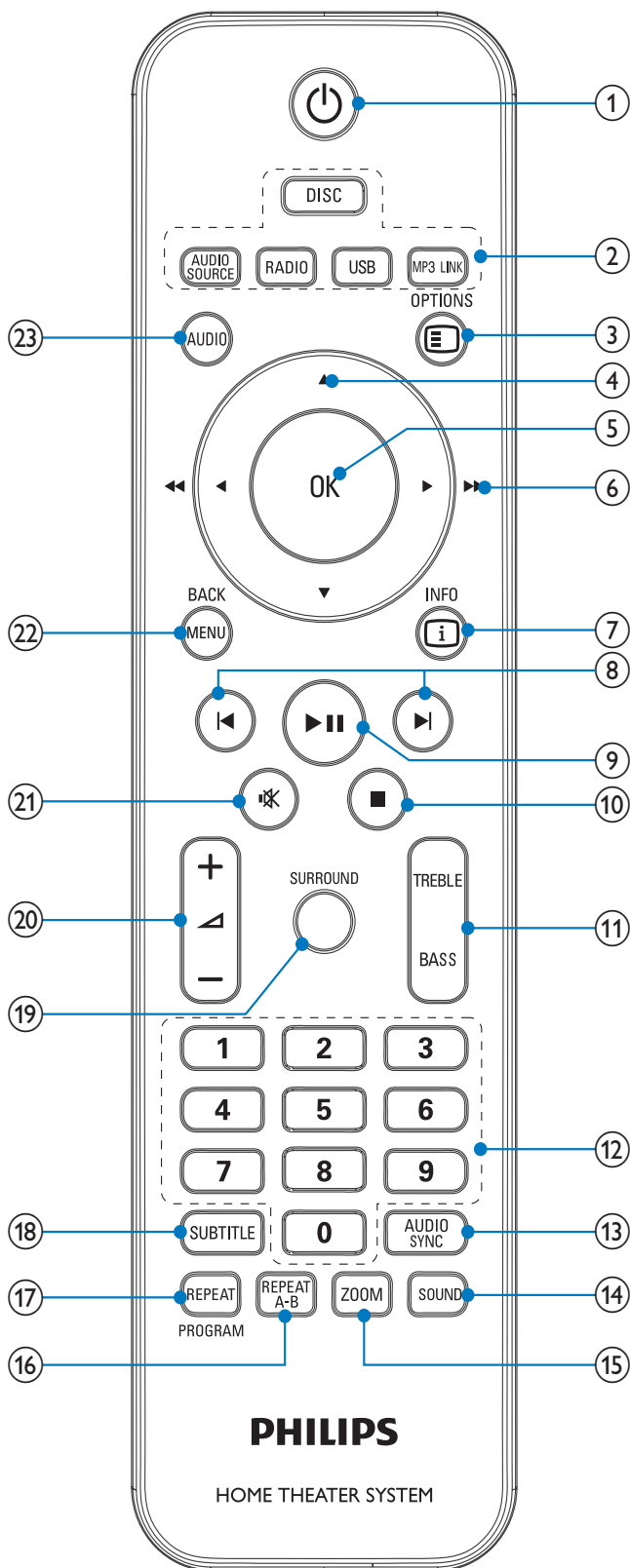
- Display current status.

#### ⑫

- USB socket.



# Overview of the remote control



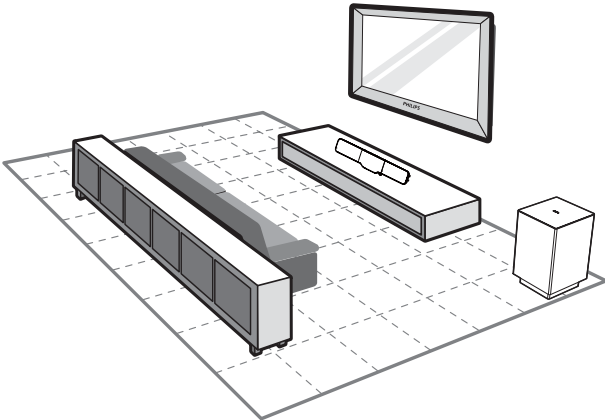
- ① Turn on the unit or switch to standby mode.

- ② **Source selection keys**
- Select a source.
- ③ **OPTIONS**
- Access or exit the system setup menu.
- ④ **▲/▼**
- For menus: navigate up/down.
  - Move an enlarged picture up/down.
  - Rotate or invert pictures.
- ⑤ **OK**
- Confirms an entry or selection.
- ⑥ **◀/▶ (◀◀/▶▶)**
- For menus, navigate left/right.
  - Search within a track or disc.
  - Move an enlarged picture left/right.
  - Tune to a radio station.
- ⑦ **INFO**
- For video/audio play, display information about the current status or the disc.
  - For pictures, display a thumbnail view of picture files.
- ⑧ **◀/▶**
- Skip to the previous/next title/ chapter/track.
  - Select a preset radio station.
- ⑨ **▶||**
- Start or pause play.
- ⑩ **■**
- Stop play.
  - Erase a preset radio station.
- ⑪ **TREBLE / BASS**
- Selects treble or bass mode. Press +/- to set the level for treble or bass.
- ⑫ **Numeric keypad**
- Select a title/chapter/track directly.
  - Select a preset radio station directly.
- ⑬ **AUDIO SYNC**
- Access audio delay setting.
- ⑭ **SOUND**
- Selects a predefined sound effect.

- ⑮ **ZOOM**
  - For pictures or video: zoom in/out.
- ⑯ **REPEAT A-B**
  - Repeat a specific section within a track/disc.
- ⑰ **REPEAT/PROGRAM**
  - Selects or turns off repeat or shuffle mode.
  - Program radio stations.
- ⑱ **SUBTITLE**
  - Select DVD or DivX subtitle language.
- ⑲ **SURROUND**
  - Enable/disable Dolby Virtual Speakers (DVS) sound effect.
- ⑳ **▲ +/-**
  - Adjust volume.
- ㉑ **🔇**
  - Mute or restore volume.
- ㉒ **MENU/BACK**
  - Return to the previous screen.
  - For video discs: access or exit the disc menu.
  - For video discs with playback control(PBC): turn on/off PBC.
- ㉓ **AUDIO**
  - For VCD, select stereo, mono-left or mono-right channel.
  - For DVD/DivX video, select an audio language.

# 3 Connect

## Place the unit



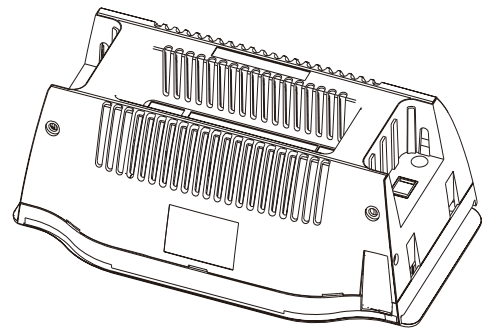
- 1 Place the unit near to the TV.
- 2 Keep the speakers at the normal listening ear-level and directly parallel to the listening area.
- 3 Place the subwoofer at the corner of the room or at least one meter away from the TV.

### Note

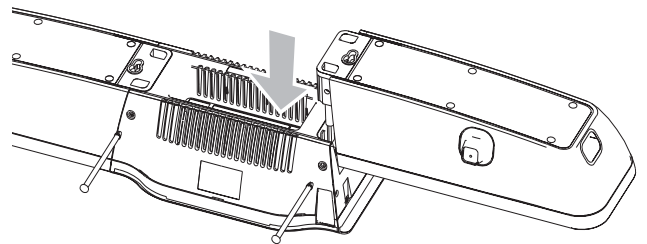
- To avoid magnetic interference or unwanted noise, never place this apparatus and speakers too close to any radiation devices.
- Never place this unit in an enclosed cabinet.
- Install this unit near the AC outlet where the AC power plug can be easily reached.

## Attach speakers to the main unit

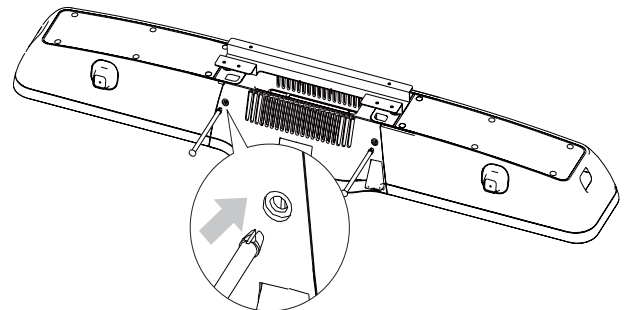
- 1 Place the main unit on a soft and flat surface.
  - Ensure that the rear side faces upwards.



- 2 Attach the left speaker to the left side of the main unit.



- 3 Repeat step 2 to attach the right speaker.
- 4 Insert the supplied studs into the holes.



## Connect TV

### Connect video cables

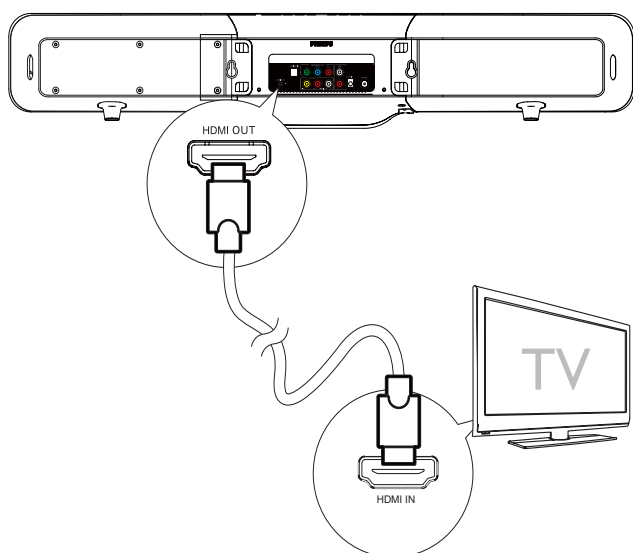
With this connection, you can watch video from the unit on the TV screen.

You can select the best video connection that your TV supports.

- Option 1: Connect through HDMI (for a HDMI, DVI or HDCP-compliant TV).

- Option 2: Connect through SCART (for a standard TV).
- Option 3: connect through component video (for a standard TV or Progressive Scan TV).
- Option 4: connect through composite video (CVBS) (for a standard TV).

## Option 1: Connect through HDMI



Connect HDMI (High Definition Multimedia Interface), DVI (Digital Visual Interface), or HDCP (High-bandwidth Digital Contents Protection)-compliant TVs through HDMI for the best picture quality. This connection transmits both video and audio signals. Through this connection, you can watch DVDs that contain HD (High-Definition) content.

### Note

- Some TVs do not support HDMI audio transmission.
- This connection provides the best video quality.

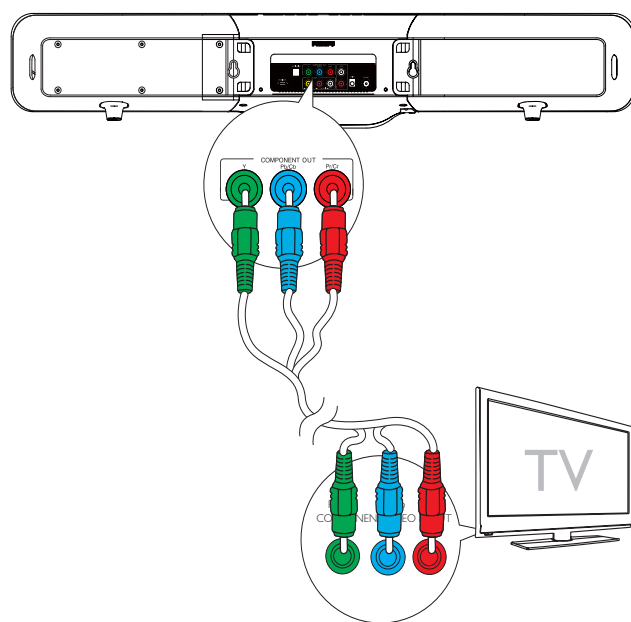
- 1 Connect an HDMI cable (not supplied) to:
  - the "HDMI" socket on this unit.
  - the HDMI input socket on the TV.

### Note

- This unit is HDMI CEC compatible. It enables the connected TV/device to control each other over HDMI.
- If your TV has only a DVI connection, connect through a HDMI/DVI adaptor. An extra audio connection is needed to complete this connection.

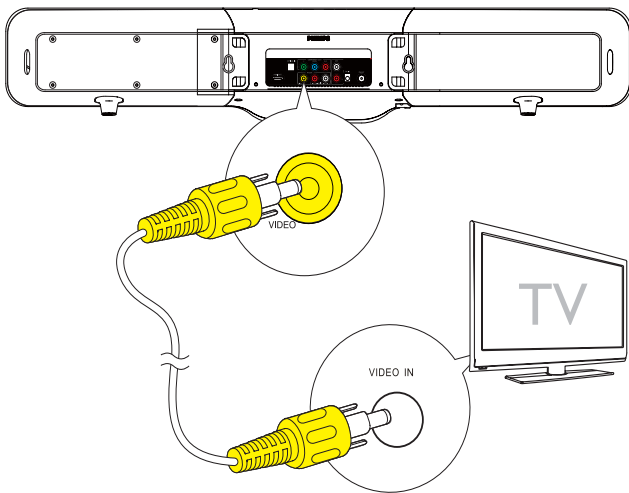
## Option 2: Connect through component video

Connect a progressive scan TV through component video for higher quality video.



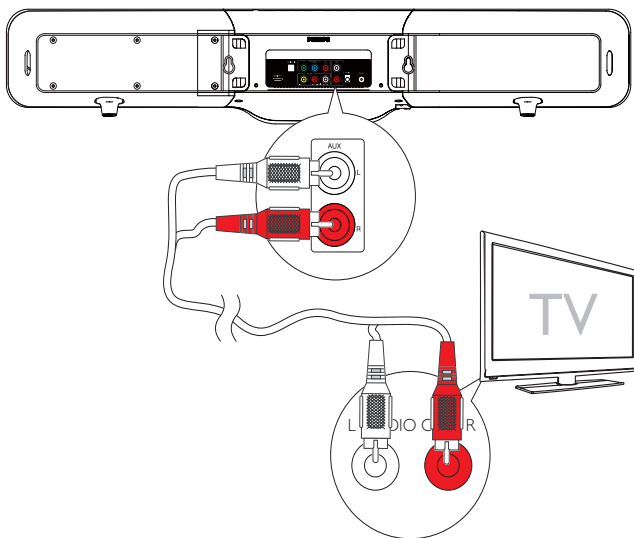
- 1 Connect component video cables (red/blue/green - not supplied) to:
  - the **COMPONENT VIDEO OUT (Pr/Cr Pb/Cb Y)** sockets on this unit.
  - the component input sockets on the TV.

### Option 3: Connect through composite video



- 1 Connect the yellow plugs of the supplied AV cable to:
  - the **VIDEO OUT** socket on this unit.
  - the video input socket on the TV.

### Connect audio cables



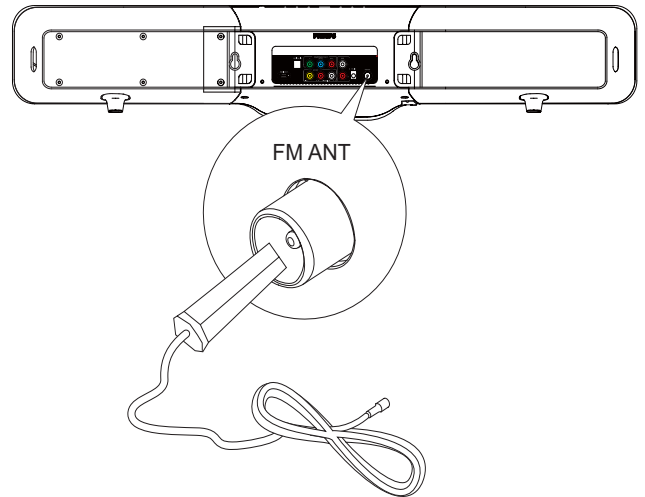
- 1 To play sound from the TV through this unit, connect audio cables (red/white - not supplied) to:
  - the **AUX L/R** sockets on this unit.
  - the audio output sockets on the TV.

### Connect FM antenna



Tip

- This unit does not support MW radio reception.



- 1 Connect the supplied FM antenna to the **FM ANT** socket on the unit.

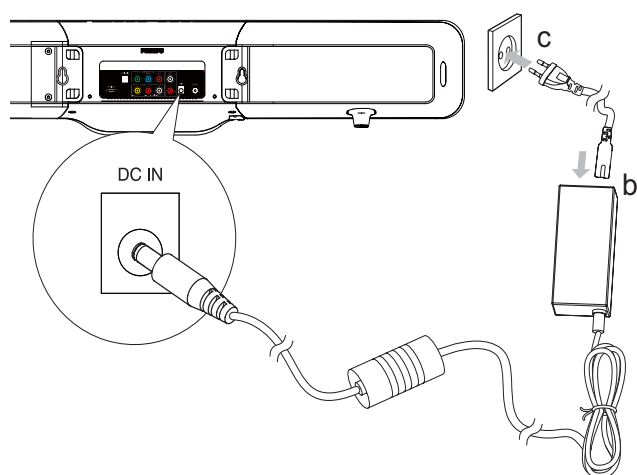
### Connect power



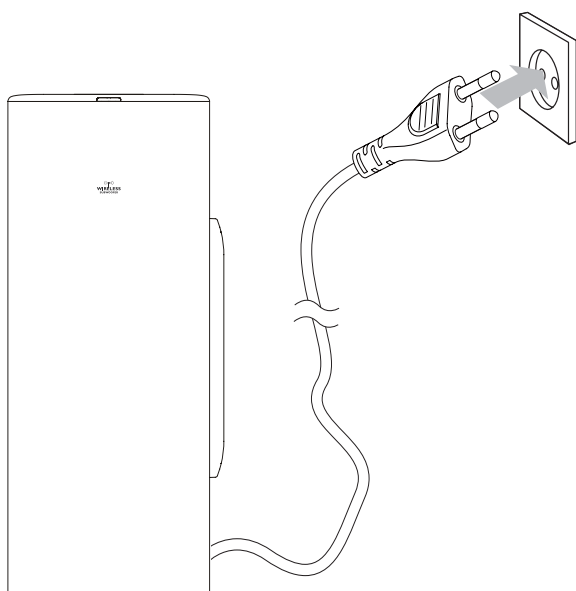
Caution

- Risk of product damage! Ensure that the power supply voltage corresponds to the voltage printed on the back or the underside of the unit.
- Risk of electric shock! When you unplug the AC power, always pull the plug from the socket. Never pull the cord.
- Before you connect the AC power, ensure you have completed all other connections.

- 1 Connect the power plug of the main unit to the wall outlet.



- 2 Connect the power plug of the digital wireless subwoofer to the wall outlet.



# 4 Get started



## Caution

- Use of controls or adjustments or performance of procedures other than herein may result in hazardous radiation exposure or other unsafe operation.

Always follow the instructions in this chapter in sequence.

If you contact Philips, you will be asked for the model and serial number of this apparatus. The model number and serial number are on the bottom of the apparatus. Write the numbers here:

Model No. \_\_\_\_\_

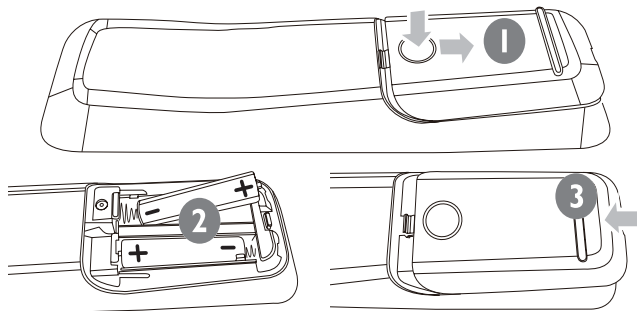
Serial No. \_\_\_\_\_

## Prepare the remote control



## Caution

- Risk of explosion! Keep batteries away from heat, sunshine or fire. Never discard batteries in fire.
- Risk of decreased battery life! Never mix different brands or types of batteries.
- Risk of product damage! When the remote control is not used for long periods, remove the batteries.



- 1 Open the battery compartment.
- 2 Insert two R03 or AAA batteries with correct polarity (+/-) as indicated.
- 3 Close the battery compartment.

## Turn on

- 1 Press .
  - ↳ The unit switches to the last selected source.
- 2 Wait for automatic setup of wireless connection between the main unit and subwoofer:
  - ↳ **[PAIRING]** (pairing) flashes.
  - ↳ If the connection succeeds, **[PAIR OK]** (pair OK) is displayed and the blue indicator on the subwoofer lights up.
  - ↳ If the connection fails, **[PAIR FAIL]** (pair fail) is displayed and the green indicator on the subwoofer lights up.
  - ↳ If the wireless connection fails, set up the connection manually.

## Set up wireless connection manually

- 1 In Normal Standby mode (see “Adjust Settings - General Setup - **[Standby Mode]**”), press and hold on the main unit for 3 seconds.
  - ↳ **[PAIRING]** (pairing) flashes.
- 2 Press and hold **PAIR** on the subwoofer for 3 seconds.
  - ↳ The blue and green indicators on the subwoofer flash alternately.
  - ↳ If wireless connection succeeds, **[PAIR OK]** (pair OK) is displayed and the blue indicators on the subwoofer lights up.
- 3 Turn on the main unit again.

## Note

- If the wireless connection fails again, check whether there is any conflict or strong interference (for example, interference from other electronic devices) around your location. After removal of the conflict or strong interference, repeat the above procedures.

## Find the correct viewing channel

- 1 Press **⏻** to turn on the unit.
- 2 Press **DISC** to switch to disc mode.
- 3 Turn on the TV and switch to the correct video-in channel in one of the following ways:
  - Go to the lowest channel on your TV, then press the Channel Down button until you see the Philips screen.
  - Press the source button repeatedly on the remote control of your TV.

## Tip

- The video-in channel is between the lowest and highest channels and may be called FRONT, A/V IN, VIDEO, HDMI etc. See the TV user manual on how to select the correct input on the TV.

## Select the correct TV system

Change this setting if the video does not appear correctly. By default, this setting matches the most common setting for TVs in your country.

- 1 Press **⏻** **OPTIONS**.
- 2 Select **[Video Setup]**.
- 3 Select **[TV Type]** and then press **▶**.
- 4 Select a setting and then press **OK**.
  - **[PAL]** - For TV with PAL color system.
  - **[NTSC]** - For TV with NTSC color system.

- **[Multi]** - For TV that is compatible with both PAL and NTSC.

- 5 To exit the menu, press **⏻** **OPTIONS**.

## Select menu display language

- 1 Press **⏻** **OPTIONS**.
- 2 Select **[General Setup]**.
- 3 Select **[OSD Language]** and then press **▶**.
- 4 Select a setting and then press **OK**.
- 5 To exit the menu, press **⏻** **OPTIONS**.

## Turn on Progressive Scan

Progressive scan displays twice the number of frames per seconds than interlaced scanning (ordinary TV system). With nearly double the number of lines, progressive scan offers higher picture resolution and quality.

Before you turn on this feature, ensure that:

- The TV supports progressive scan signals.
- You have connected this unit with the TV through component video.

- 1 Turn on the TV.
- 2 Ensure that the TV progressive scan mode is deactivated (see the TV user manual).
- 3 Switch the TV to the correct viewing channel for this unit.
- 4 Press **DISC**.
- 5 Press **⏻** **OPTIONS**.
- 6 Press **▲/▼** to select **[Video Setup]** in the menu, then press **▶**.
- 7 Select **[Progressive] > [On]**, then press **OK**.
  - ↳ A warning message is displayed.
- 8 To proceed, select **[Ok]** and press **OK**.
  - ↳ The progressive setup is complete.







## Note

- If a blank/distorted screen is displayed, wait for 15 seconds for auto recovery or turn off progressive scan manually.

- 9 Turn on the progressive scan mode on the TV.

---

### Turn off progressive scan manually

- 1 Turn off the progressive scan mode on the TV.
- 2 Press  **OPTIONS**.
- 3 Press  to select **[Video Setup]** in the menu, then press .
- 4 Select **[Progressive]** > **[Off]**, then press **OK**.
- 5 To exit the menu, press  **OPTIONS**.

---

## Use Philips EasyLink

This unit supports Philips EasyLink, which uses the HDMI CEC (Consumer Electronics Control) protocol. EasyLink-compliant devices that are connected through HDMI connectors can be controlled by a single remote control.


## Note

- Philips does not guarantee 100% interoperability with all HDMI CEC devices.

- 1 Turn on the HDMI CEC operations on the TV or other connected devices. See TVs/ devices manual for details.
- 2 You can now enjoy the following Philips EasyLink controls.

---

### One touch play[Auto Wakeup TV]

When you press , this unit will wake up from standby mode and start disc play (if a video disc is found in the disc compartment). At the same time, your TV will also be turned on and be switched to the correct viewing channel.

---

### One touch power-off[System Standby]

When you connect this unit to devices that support standby mode, you can use the remote control of this unit to switch this unit and all connected HDMI devices to standby mode. You can also use the remote control from any of the connected HDMI devices to perform one-touch standby .

---

### One touch audio play[System Audio Control]

When you connect this unit to HDMI CEC compliant devices, the unit can switch automatically to play audio from the connected device.

---

# 5 Play

## Note

- With some disc/file types, play may differ.

## Play discs

### Caution

- Never look at the laser beam inside the unit.
- Risk of product damage! Never play discs with accessories such as disc stabilizer rings or disc treatment sheets.
- Never put any objects other than discs into the disc compartment.

- 1 Press **DISC** to select the DISC source.
- 2 Press **▲** on the main set to open the disc compartment.
- 3 Place a disc into the disc compartment and press **▶||**.
  - ↳ Ensure that the label faces outwards.
- 4 Play starts automatically.
  - To stop play, press **■**.
  - To pause or resume play, press **▶||**.
  - To skip to the previous/next title/ chapter/track, press **◀/▶**.

**If play does not start automatically:**

  - Select a title/chapter/track and then press **▶||**.

### Tip

- To play a locked DVD, enter the 4-digit parental control password.

## Use the disc menu

When you load a DVD/(S)VCD disc, a menu may be displayed on the TV screen.

To return to the menu during play:

- 1 Press **MENU/BACK**.

## Note

- To see the disc menu of a VCD disc, you must turn on PlayBack Control (PBC) feature of the disc.

## Select an audio language

You can select an audio language on DVDs, DivX video or VCDs.

- 1 During disc play, press **AUDIO**.
  - ↳ The language options appear. If the selected audio channels is unavailable, the default disc audio channel is used.

## Note

- For some DVDs, the language can only be changed from the disc menu. Press **MENU/BACK** to access the menu.

## Select a subtitle language

You can select a subtitle language on DVDs or DivX® Ultra discs.

- During play, press **SUBTITLE**.

## Tip

- For some DVDs, the language can only be changed from the disc menu. Press **MENU/BACK** to access the menu.

## Sync audio output with video play

If the video play is slower than the audio output (sound does not match with the pictures), you can delay the audio output to match the video.

- 1 Press and hold **AUDIO SYNC** until 'AUDIO SYNC XXX' is displayed.
  - ↳ 'XXX' denotes the delay time.


- 2 Within five seconds, press  $\triangleleft$  +/- to set the delay time for audio output.

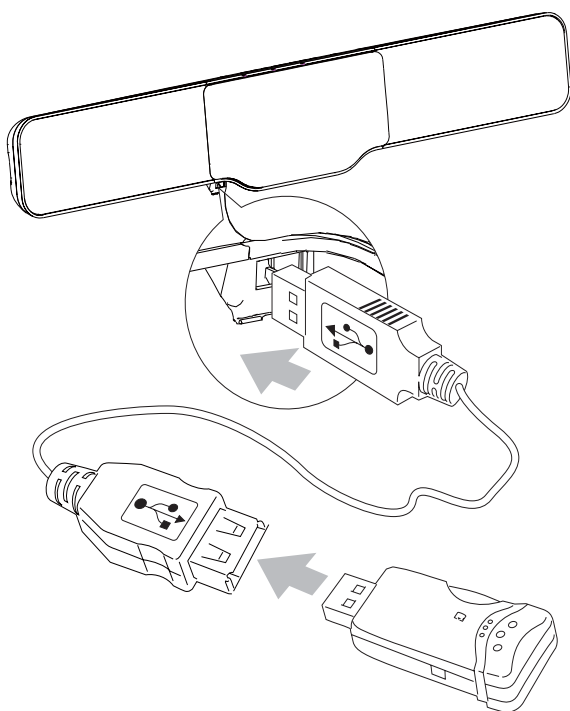
---

## Play from USB

### Note

- Ensure that the USB device contains playable music, pictures or video.

- 1 Connect the supplied USB extension cable to:
  - the USB device
  - the  socket



- 2 Press **USB** to select the USB source.  
↳ A contents menu is displayed.

- 3 Select a folder, then press **OK**.
- 4 Select a file to play, then press **▶||**.
  - To return to the main menu, press  $\blacktriangle$  until the 'Previous' folder is selected, then press **OK**.
  - To stop play, press  $\blacksquare$ .
  - To pause or resume play, press **▶||**.
  - To skip to the previous/next file, press  $\blacktriangleleft/\blacktriangleright$ .

---

## Play DivX video

You can play DivX files copied onto a CD-R/RW, recordable DVD or USB device.

- 1 Insert a disc or connect a USB device.
- 2 Select a source:
  - For discs, press **DISC**.
  - For USB devices, press **USB**.
- 3 Select a title to play, then press **▶||**.
  - To stop play, press  $\blacksquare$ .
  - To pause or resume play, press **▶||**.
  - To change a subtitle language, press **SUBTITLE**.

### Note

- You can only play DivX videos rented or purchased through the DivX registration code of this unit.
- Subtitle files with the following filename extensions (.srt, .smi, .sub, .ssa, .ass) are supported but do not appear on the file navigation menu.
- The subtitle filename has to be the same as the file name of the video.

---

## Play MP3/WMA/picture files

You can play MP3/WMA/picture files copied onto a CD-R/RW, recordable DVD or USB device.

- 1 Insert a disc or connect a USB device.
- 2 Select a source:
  - For discs, press **DISC**.

- For USB devices, press **USB**.
- A contents menu is displayed.

**3** Select a folder, then press **OK**.

- 4** Select a file to play, then press **▶||**.
- To return to the main menu, press **▲** until the 'Previous' folder is selected, then press **OK**.
  - To stop play, press **■**.
  - To pause or resume play, press **▶||**.
  - To skip to the previous/next file, press **◀/▶**.

---

## Play control

---

### Select repeat/shuffle play options

- 1** During play, press **REPEAT/PROGRAM** repeatedly to select a repeat option or the shuffle play mode.
- To resume normal play, press **REPEAT/PROGRAM** repeatedly until **[Repeat Off]** is displayed.

---

### Repeat A-B (DVD/VCD/CD/MP3/WMA)

- 1** During music or video play, press **REPEAT A-B** at the start point.
- 2** Press **REPEAT A-B** at the end point.
- ↳ The selected section starts to play repeatedly.
- To cancel repeat play, press **REPEAT A-B** again.

#### Note

- The section A and B can be set only within the same track/title.

---

### Search forward/backward

- 1** During play, press **◀/▶** (**◀◀/▶▶**) repeatedly to select a search speed.

- To resume play at normal speed, press **▶||**.

---

## Resume video play from last stopped point

#### Note

- This feature is only available for video play.

- 1** In stop mode and when the disc has not been removed, press **OK**.

To cancel resume mode and stop play completely:

- 1** In stop mode, press **■**.

---

## Play options

### Display play information

- 1** During play, press **ⓘ INFO** repeatedly to display play information.

---

### Zoom in/out image

- 1** During video/picture play, press **ZOOM** repeatedly to zoom in/out the image.
- When the image is zoomed in, you can press **◀/▶/▲/▼** to pan through the image.

---

### Change the audio channel

#### Note

- This feature is only available for VCD/DivX play.

- 1** During play, press **AUDIO** repeatedly to select an audio channel available on the disc:

- Mono Left
- Mono Right
- Stereo

---

## Picture view options

---

### Start slideshow of pictures

- 1 During play, press **⏸** **OPTIONS**.
  - ↳ The thumbnails of 12 pictures are displayed.
- 2 Select a file, then press **▶||** to start slideshow play.
  - To go to previous or next screen display, press **◀▶**.
  - To select a picture, press the cursor buttons.
  - To display the selected photo only, press **OK**.

---

### Rotate picture

- 1 During play, press **▲/▼** to rotate the picture anti-clockwise/clockwise.

---

### Start musical slideshow

You can play MP3/WMA music files and JPEG photo files simultaneously to create musical slideshow. The MP3/WMA and JPEG files must be stored on the same disc or USB device.

- 1 Play MP3/WMA music.
- 2 Navigate to the photo folder/album and press **▶||** to start slideshow play.
  - ↳ Slideshow begins and continues till the end of the photo folder or album.
  - ↳ Audio continues to play till the end of the disc.
  - ↳ To return to the menu, press **MENU/BACK**.
- 3 To stop slideshow play, press **■**.
- 4 To stop music play, press **■** again.

## 6 Adjust settings

- 1 Press **⏏** **OPTIONS**.
- 2 Select a setup page.
- 3 Select an option and then press **▶**.
- 4 Select a setting and then press **OK**.
  - To return to the previous menu, press **◀**.
  - To exit the menu, press **⏏** **OPTIONS**.

### General setup

On **[General Setup Page]**, you can set the following options:

#### **[Disc Lock]**

Set play restriction for specific discs. Before you start, place the disc in the disc compartment (maximum 40 discs can be locked).

- **[Lock]** – Restrict access to the current disc. You need to enter a password to unlock and play the disc.
- **[Unlock]** – Play all discs.



#### Tip

- To set or change the password, go to **[Preference Setup] > [Password]**.

#### **[OSD Language]**

Select the preferred language for on-screen display.

### Switch to standby mode

#### **[Standby Mode]**

Set the standby mode.

- **[Normal]** - power consumption <4W.
- **[Low Power]** - power consumption <1W. However, it requires longer time to power up.

#### **[EasyLink]**

If this unit is connected to HDMI CEC compliant TV/devices, all connected devices can respond to the following commands simultaneously:

Option	Description
<b>[One Touch Play]</b>	When you press <b>▶  </b> , the TV and this unit are turned on. Disc play starts if there is a disc in the unit.
<b>[System Standby]</b>	When you press and hold <b>⏏</b> , connected HDMI CEC devices simultaneously switch to standby. To disable this feature, select <b>[Decline]</b> .
<b>[System Audio Control]</b>	When you play audio that is routed from the connected devices, this unit switches to the corresponding audio source automatically. To enable this feature, select <b>[On]</b> . Then proceed to <b>[Audio Input Mapping]</b> to scan and map all the connected devices.
<b>[Audio Input Mapping]</b>	When you map the audio input correctly, this unit switches to the audio from the played device automatically.



#### Note

- You must turn on the HDMI CEC operations on the TV/devices before you can enjoy the EasyLink controls. See the TV/devices manual for details.

Philips does not guarantee 100% interoperability with all HDMI CEC compliant devices.

#### **[Display Dim]**

Turn on or off adjustment of display brightness level.

#### **[Screen Saver]**

The screen saver protects the TV screen damage due to prolonged exposure to a static image.

- **[On]** – Enable the screen saver.
- **[Off]** – Disable the screen saver.

### [Sleep Timer]

Switches to standby automatically after the preset time.

- **[15 mins], [30 mins], [45 mins], [60 mins]** – select the count down time before the apparatus switches to standby.
- **[Off]** – disable sleep mode.

### [DivX(R) VOD Code]

Display the DivX® registration code.



#### Tip

- Enter this DivX registration code when you rent or purchase video from [www.divx.com/vod](http://www.divx.com/vod). The DivX videos rented or purchased through the DivX® VOD (Video On Demand) service can be played only on the device to which it is registered.

---

## Audio setup

On **[Audio Setup Page]**, you can set the following options:

### [HDMI Audio]

When you connect this apparatus and TV with an HDMI cable, select the audio output setting for this connection.

- **[On]** – the sound is output through both your TV and this apparatus. If the audio format on the disc is not supported, it is downmixed to two-channel sound (Linear-PCM).
- **[Off]** – disable audio output from the TV. The sound is only output through this apparatus.

### [Night Mode]

Make loud sound level softer and soft sound level louder so that you can watch the DVD movies at a low volume, without disturbing others.

- **[Off]** – enjoy surround sound with its full dynamic range.
- **[On]** – enjoy quiet viewing at night (DVDs only).

---

## Video setup

On **[Video Setup Page]**, you can set the following options:

### [TV Type]

Change this setting if the video does not appear correctly. By default, this setting matches the most common setting for TVs in your country.

- **[PAL]** – For TV with PAL color system.
- **[NTSC]** – For TV with NTSC color system.
- **[Multi]** – For TV that is compatible with both PAL and NTSC.

### [TV Display]

The TV format determines the aspect ratio of display according to the type of TV you have connected.



4:3 Pan Scan (PS)



4:3 Letter Box (LB)



16:9 (Wide Screen)

- **[4:3 Pan Scan]** – For 4:3 screen TV: full-height display with the trimmed sides.
- **[4:3 Letter Box]** – For 4:3 screen TV: wide-screen display with black bars on the top and bottom of the screen.
- **[16:9 Wide Screen]** – For wide-screen TV: display ratio 16:9.

### [Progressive]

Turn on or off progressive scan mode.

### [Picture Settings]

Select a predefined set of picture color settings or customize your personal setting.

- **[Standard]** – original color setting.
- **[Bright]** – vibrant color setting.

- **[Soft]** – warm color setting.
- **[Personal]** – customize the color setting. Adjust the level of brightness, contrast, sharpness/tint and color saturation.

**[HDMI Video]** – Select the HDMI video output resolution that is compatible with your TV display capability.

Option	Description
<b>[Auto]</b>	Detect and select the best supported video resolution automatically.
<b>[480p], [576p], [720p], [1080i], [1080p]</b>	Select a video resolution that is best supported by your TV. See your TV manual for details.

### **[Closed Caption]**

Turn off or on display captions.

- **[On]** – show the sound effects in subtitles. Applicable only to discs with Closed Caption information included and the TV that supports this feature.
- **[Off]** – turn off closed caption.

## Preference setup

On **[Preference Page]**, you can set the following options:

### **[Audio]**

Select the preferred audio language for disc play.

### **[Subtitle]**

Select the preferred subtitle language for disc play.

### **[Disc Menu]**

Select the preferred disc menu language.

### Note

- If the language you have set is not available on the disc, the disc uses its own default language.
- For some discs, the subtitle/audio language can only be changed from the disc menu.
- To select the languages that are not listed in the menu, select **[Others]**. Then check the Language Code list at the back of this user manual and enter the respective 4-digit language code.

### **[Parental]**

Restricts access to discs that are unsuitable for children. These types of discs must be recorded with ratings.

- 1) Press **OK**.
- 2) Select a rating level, then press **OK**.
- 3) Press the numeric keys to enter the password.

### Note

- Rated discs above the level you set in **[Parental]** require a password to be played.
- The ratings are country-dependent. To allow all discs to play, select '8'.
- Some discs have ratings printed on them but are not recorded with ratings. This function has no effect on such discs.

### Tip

- You can set or change the password (see **[Preference Setup]** > **[Password]**).

### **[PBC]**

Turns on or off the content menu of VCDs/ SVCDs with PBC (playback control) feature.

- **[On]** - display index menu when you load a disc for play.
- **[Off]** - skip the menu and start play from the first title.

### **[MP3/JPEG Nav]**

Select to display the folders or display all the files.



- **[With Menu]** – display the folders of MP3/WMA files.
- **[Without Menu]** – display all the files.

### **[Password]**

Set or change the password for locked discs and play restricted DVDs.

- 1) Press the numeric keys to enter '0000' or your last set password at **[Old Password]** field.
- 2) Enter the new password at **[New Password]** field.
- 3) Enter the new password again at **[Confirm PWD]** field.
- 4) Press **OK** to exit the menu.

### Note

- If you forget the password, enter '0000' before you set a new password.

### **[DivX Subtitle]**

Select a character set that supports the DivX subtitle.

**[Standard]** English, Irish, Danish, Estonian, Finnish, French, German, Italian, Portuguese, Luxembourgish, Norwegian (Bokmål and Nynorsk), Spanish, Swedish, Turkish

**[Central Europe]** Polish, Czech, Slovak, Albanian, Hungarian, Slovene, Croatian, Serbian (Latin script), Romanian

**[Cyrillic]** Belarusian, Bulgarian, Ukrainian, Macedonian, Russian, Serbian

**[Greek]** Greek

**[Hebrew]** Hebrew

### Note

- Ensure that the subtitle file has the exact same file name as the movie file. If for example the file name of the movie is 'Movie.avi', then you will need to name the text file 'Movie.sub' or 'Movie.srt'.

### **[Version Info]**

Display the software version of this apparatus.

### Tip

- This information is required when you want to find out if a newest software version is available at the Philips website that you may download and install on this apparatus.

### **[Default]**

Resets all the settings of this apparatus to factory default, except for **[Disc Lock]**, **[Password]** and **[Parental]** settings.

# 7 Tune to FM radio stations

- 1 Ensure that you have connected and fully extended the supplied FM antenna.
  - 2 Press **RADIO**.
  - 3 Press and hold **◀/▶** (**◀◀/▶▶**).
  - 4 When the frequency indication starts to change, release the button.
    - ↳ The FM tuner tunes to a station with strong reception automatically.
  - 5 Repeat steps 3-4 to tune to more stations.
- To tune to a weak station:**  
Press **◀/▶** (**◀◀/▶▶**) repeatedly until you find optimal reception.

## Program radio stations automatically

### Note

- You can program a maximum of 20 preset radio stations.

- 1 Press **◀/▶** to select a preset number to start programming.
- 2 Press and hold **REPEAT/PROGRAM** for 2 seconds to activate automatic programming.
  - ↳ **[AUTO]** (auto) is displayed briefly.
  - ↳ All available stations are programmed in the order of waveband reception strength.
  - ↳ The last programmed radio station is broadcast automatically.

## Program radio stations manually

### Note

- You can program a maximum of 20 preset radio stations.

- 1 Tune to a radio station.
- 2 Press **REPEAT/PROGRAM** to activate programming.
- 3 Press **◀/▶** to allocate a number from 1 to 20 to this radio station, then press **REPEAT/PROGRAM** to confirm.
  - ↳ The preset number and the frequency of the preset station are displayed.
- 4 Repeat the above steps to program other stations.

### Note

- To overwrite a programmed station, store another station in its place.

## Tune to a preset radio station

- 1 Press **◀/▶** to select a preset number that you want.

### Tip

- You can also use the numerical keypad to select a preset station directly.

# 8 Adjust volume level and sound effect

---

## Adjust volume level

- 1 During play, press  $\triangleleft$  +/- to increase/decrease the volume level.

## Select a sound effect



### Note

- You cannot use different sound effects at the same time.

## Select a preset sound effect

- 1 During play, press **SOUND** repeatedly to select:
  - **[CLASSIC]** (Concert)
  - **[ROCK]** (Action)
  - **[Sports]** (Gaming)
  - **[Lounge]** (Drama)
  - **[Night]**

## Select surround sound effect

DVS (Dolby Virtual Speaker) technology creates a highly compelling 5.1-channel listening experience from as few as two speakers. It is an ideal entertainment solution for locations where space for multiple speaker setup is limited.

- 1 During play, press **SURROUND** to turn on/off surround sound effect.

## Adjust treble/bass level

- 1 Press **TREBLE** or **BASS**.

- 2 Within 5 seconds, press  $\triangleleft$  +/- to set the level for high tones (treble) or low tones (bass).

---

## Mute sound

- 1 During play, press  $\times$  to mute/unmute sound.

## 9 Other features

---

### Set the sleep timer

- 1 When the unit is turned on, press **SLEEP** repeatedly to select a set period of time (in minutes).
  - ↳ The unit turns off automatically after the set period of time.



#### Tip

- You can also set the sleep timer in the system setup menu.

---

### Connect other devices

---

#### Listen to an audio player

You can listen to an audio player through this unit.

- 1 Connect the audio player:
  - For audio players with red/white audio output sockets:  
Connect a red/white audio cable (not supplied) to the **AUX IN L/R** sockets and to the audio output sockets on the audio player.
  - For audio players with headphone sockets:  
Connect a 3.5mm audio cable (not supplied) to the **MP3 LINK** socket and to the headphone socket on the audio player.
  - For audio players with optical sockets:  
Connect an optical cable (not supplied) to the **OPTICAL IN** socket and to the optical output socket on the audio player.
- 2 Select the **AUDIO SOURCE** or **MP3 LINK** source.
- 3 Start play on the audio player.

# 10 Product information

## Note

- Product information is subject to change without prior notice.

## Specifications

### Amplifier

Rated Output Power	2X60+120WRMS
Frequency Response	20 -20000 Hz, $\pm$ 3dB
Signal to Noise Ratio	>67dB
Aux Input	500mV RMS 20kohm

### Disc

Laser Type	Semiconductor
Disc Diameter	12cm/8cm
Video Decoding	MPEG-1 / MPEG-2 / DivX
Video DAC	12Bits
Signal System	PAL / NTSC
Video Format	4:3 / 16:9
Video S/N	>48dB
Audio DAC	24Bits / 96kHz
Total Harmonic Distortion	<1% (1 kHz)
Frequency Response	4Hz - 20kHz (44.1kHz) 4Hz - 22kHz (48kHz) 4Hz - 24kHz (96kHz)
S/N Ratio	>67dBA

### Tuner (FM)

Tuning Range	87.5 - 108MHz
Tuning grid	50KHz
Sensitivity	<22 dBf - Mono, 26dB S/N Ratio
Search Selectivity	>28dBf
Total Harmonic Distortion	<3%
Signal to Noise Ratio	>50dB

### Speakers

Speaker Impedance	2x8ohm+8ohm
Speaker Driver, subwoofer	8" subwoofer
Speaker Driver, woofer	3" woofer
Speaker Driver, tweeter	19mm tweeter
Sensitivity	- Subwoofer >84dB/m/W $\pm$ 4dB/m/W - Woofer/Tweeter >82dB/m/W $\pm$ 4dB/m/W

General information	
AC power	110 - 127V / 220 - 240V, ~50/60 Hz
Operation Power Consumption	Main unit: 50W; Subwoofer: 100W
Normal standby Power Consumption	<4W
Low Standby Power Consumption	<1W
Composite Video Output	1.0Vp-p, 75ohm
Optical Input	0.5Vpp ± 0.1Vpp 75ohm
HDMI (CEC) Output	1.3a
USB Direct	Version 2.0
Dimensions	
- Main Unit (W x H x D)	260 x 140 x 95 mm
- Speakers	310 x 120 x 95 mm
- Wireless Subwoofer Box (W x H x D)	170 x 430 x 340 mm
Weight	
- With Packing	13 kg
- Main Unit	1 kg
- Speaker Box	2 x 0.8 kg
- Wireless Subwoofer Box	6 kg

## Supported disc formats

- Digital Video Discs (DVDs)
- Video CDs (VCDs)
- Super Video CDs (SVCDs)
- Digital Video Discs + Rewritable (DVD+RW)
- Compact Discs (CDs)
- Picture (Kodak, JPEG) files on CDR(W)
- DivX(R) disc on CD-R(W):
- DivX 3.11, 4.x and 5.x
- WMA

### Supported MP3-CD formats:

- ISO 9660
- Max. title/album name: 12 characters
- Max. title number plus album: 255.
- Max. nested directory: 8 levels.
- Max. album number: 32.
- Max. MP3 track number: 999.

- Supported sampling frequencies for MP3 disc: 32 kHz, 44.1 kHz, 48 kHz.
- Supported Bit-rates of MP3 disc are: 32, 64, 96, 128, 192, 256 (kbps).
- The following formats are not supported:
  - Files like \*.VMA, \*.AAC, \*.DLF, \*.M3U, \*.PLS, \*.WAV
  - Non-English Album/Title name
  - Discs recorded in Joliet format
  - MP3 Pro and MP3 with ID3 tag

## USB playability information

### Compatible USB devices:

- USB flash memory (USB 2.0 or USB1.1)
- USB flash players (USB 2.0 or USB1.1)
- memory cards (requires an additional card reader to work with this apparatus)

### Supported formats:

- USB or memory file format FAT12, FAT16, FAT32 (sector size: 512 bytes)
- MP3 bit rate (data rate): 32-320 Kbps and variable bit rate
- WMA v9 or earlier
- Directory nesting up to a maximum of 8 levels
- Number of albums/ folders: maximum 99
- Number of tracks/titles: maximum 999
- ID3 tag v2.0 or later
- File name in Unicode UTF8 (maximum length: 128 bytes)

### Unsupported formats:

- Empty albums: an empty album is an album that does not contain MP3/ WMA files, and is not be shown in the display.
- Unsupported file formats are skipped. For example, Word documents (.doc) or MP3 files with extension .dlf are ignored and not played.
- AAC, WAV, PCM audio files
- DRM protected WMA files (.wav, .m4a, .m4p, .mp4, .aac)
- WMA files in Lossless format

# 11 Troubleshooting



## Caution

- Never remove the casing of this unit.

To keep the warranty valid, never try to repair the system yourself.

If you encounter problems when using this unit, check the following points before requesting service. If the problem remains unsolved, go to the Philips web site ([www.Philips.com/support](http://www.Philips.com/support)). When you contact Philips, ensure that your unit is nearby and the model number and serial number are available.

### No power

- Ensure that the AC cord of the unit is connected properly.
- Ensure that there is power at the AC outlet.
- As a power-saving feature, the system switches off automatically 15 minutes after track play reaches the end and no control is operated.

### No picture

- Check the video connection.
- Turn on the TV to the correct Video-In channel.
- Progressive scan is activated but the TV does not support progressive scan.

### USB device not supported

- The USB device is incompatible with the unit. Try another one.

### Cannot display some files in USB device

- The number of folders or files in the USB device has exceeded a certain limit. This phenomenon is not a malfunction.
- The formats of these files are not supported.

### No picture on HDMI connection.

- Check if the HDMI cable is faulty. Replace a new HDMI cable.

- If this happens when you change the HDMI video resolution, select the correct resolution until the picture appears.

### No disc detected

- Insert a disc.
- Check if the label side of the disc faces outwards.
- Wait until the moisture condensation at the lens has cleared.
- Replace or clean the disc.
- Use a finalized CD or correct format disc.

### Black and white or distorted picture

- The disc does not match the TV color system standard (PAL/NTSC).
- Sometimes a slight picture distortion may appear. This is not a malfunction.
- Clean the disc.
- A distorted picture may appear during progressive scan setup.

### The aspect ratio of the TV screen cannot be changed even though you have set the TV display format.

- The aspect ratio is fixed on the loaded DVD disc.
- The aspect ratio may not be changed for some TV systems.

### No sound or poor sound

- Adjust the volume.
- Ensure that the wireless subwoofer is connected.

### Remote control does not work

- Before you press any function button, first select the correct source with the remote control.
- Reduce the distance between the remote control and the unit.
- Insert the battery with its polarities (+/- signs) aligned as indicated.
- Replace the batteries.
- Aim the remote control directly at the sensor on the front of the unit.

### Disc does not play

- Insert a readable disc and ensure that the label side faces outwards.

- Check the disc type, color system and regional code. Check for any scratches or smudges on the disc.
- Press **⏏** **OPTIONS** to exit the system setup menu.
- Disable the password for parental control or change the rating level.
- Moisture has condensed inside the system. Remove the disc and leave the system turned on for about an hour. Disconnect and reconnect the AC power plug, and then turn on the system again.
- As a power-saving feature, the system turns off automatically 15 minutes after disc play reaches the end and no control is operated.

**Poor radio reception**

- Increase the distance between the unit and your TV or VCR.
- Fully extend the FM antenna.
- Connect an outdoor FM antenna instead.

**Wireless connection fails.**

- Set up wireless connection manually.

**Unable to select Progressive Scan**

- Ensure the component video mode is set to **[YUV]**.

**No sound on HDMI connection.**

- You may not hear any sound if the connected device is non-HDCP compliant or only DVI-compatible.

**Audio or subtitle languages cannot be set**

- The disc is not recorded with sound or subtitles in multiple languages.
- The audio or subtitle language setting is prohibited on the disc.



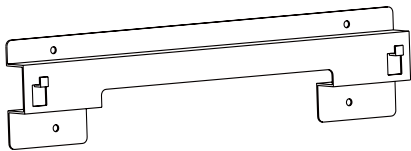
# 12 Appendix

## Mount to a wall

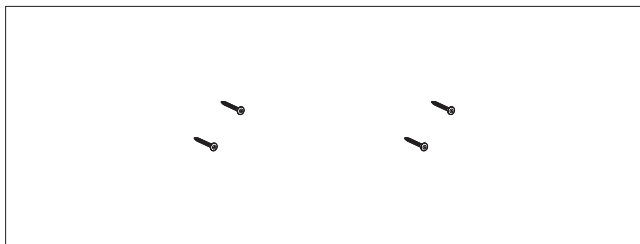
### ! Caution

- Risk of product damage! Always consult professional personnel to safely mount the product to a wall.
- Risk of injury! Ensure that no supply ducts such as gas, water or electricity are harmed when you drill the holes.

## What's in the supplied mounting kit



1 x wall mount bracket for the main unit and speakers



4 x screws

## What else you'll need

- Electric drill
- Screwdriver
- Pencil

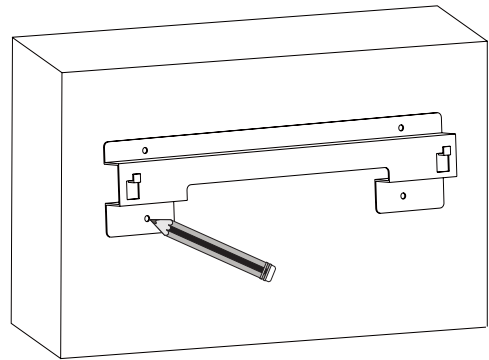
## Mount the main unit and speakers

### ! Caution

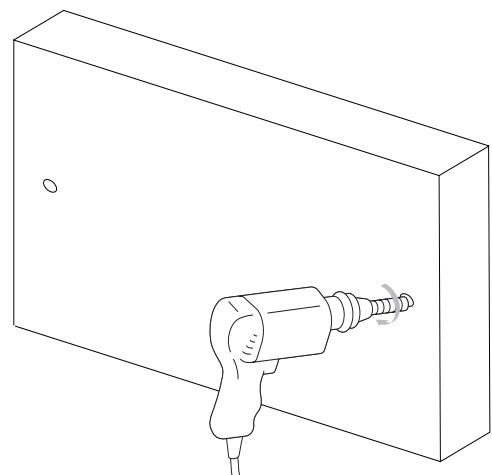
- To find a suitable mounting location, make the necessary physical and wireless connections.
- Mount the main unit and speakers to a solid concrete wall or plaster board wall only!

You can use the supplied bracket to mount the main unit and speakers to the wall.

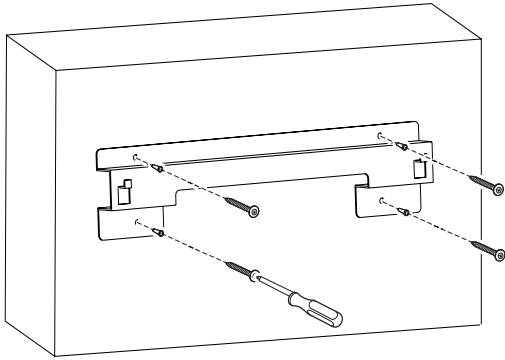
- 1 Align the bracket in the chosen location on a wall. Use a pencil to mark the drilling positions.



- 2 Drill holes as marked.



- 3 Secure the wall mount bracket onto the wall with 4 supplied screws.



- 4** Hook the main unit and speakers in place.

