

# Always there to help you

Register your product and get support at  
[www.philips.com/welcome](http://www.philips.com/welcome)



AD385/85



## User manual

# PHILIPS

# Contents

---

<b>1</b>	<b>Safety and Notice</b>	<b>3</b>
	Safety	3
	Notice	3

---

<b>2</b>	<b>Your Docking Speaker</b>	<b>5</b>
	Introduction	5
	What's in the box	5
	Overview of the main unit	5

---

<b>3</b>	<b>Get started</b>	<b>6</b>
	Connect power	6
	Turn on	6

---

<b>4</b>	<b>Play</b>	<b>7</b>
	Play from iPod/iPhone	7
	Play from Bluetooth device	7
	Play from an external device	8
	Adjust volume	8

---

<b>5</b>	<b>Specifications</b>	<b>8</b>
	Amplifier	8
	Bluetooth	8
	General information	8

---

<b>6</b>	<b>Troubleshooting</b>	<b>9</b>
	About Bluetooth device	9

# 1 Safety and Notice

Read and understand all instructions before you use this product. If damage is caused by failure to follow the instructions, the warranty does not apply.

## Safety

### Warning

- Never remove the casing of this apparatus.
  - Never lubricate any part of this apparatus.
  - Never look into the laser beam inside this apparatus.
  - Never place this apparatus on other electrical equipment.
  - Keep this apparatus away from direct sunlight, naked flames or heat.
  - Ensure that you always have easy access to the power cord, plug or adaptor to disconnect the apparatus from the power.
- 
- The device shall not be exposed to dripping or splashing.
  - Do not place any source of danger on the device (e.g. liquid filled objects, lit candles).
  - Where the plug of the Direct Plug-in Adapter is used as the disconnect device, the disconnect device shall remain readily operable.
  - Make sure that there is enough free space around the product for ventilation.
  - Only use attachments/accessories specified by the manufacturer.
  - The batteries should not be exposed to excessive heat such as sunshine fire or the like.
  - Only use power supplies listed in the user manual.

## Notice

# CE 0560

This product complies with the radio interference requirements of the European Community.

A copy of EC declaration of Conformity is available in the Portable Document Format (PDF) version of the user manual at [www.philips.com/support](http://www.philips.com/support).

Any changes or modifications made to this device that are not expressly approved by Philips Consumer Lifestyle may void the user's authority to operate the equipment.



Your product is designed and manufactured with high quality materials and components, which can be recycled and reused.



When this crossed-out wheeled bin symbol is attached to a product it means that the product is covered by the European Directive 2002/96/EC.

Please inform yourself about the local separate collection system for electrical and electronic products.

Please act according to your local rules and do not dispose of your old products with your normal household waste. Correct disposal of your old product helps to prevent potential negative consequences for the environment and human health.



Your product contains batteries covered by the European Directive 2006/66/EC, which cannot be disposed with normal household waste. Please inform yourself about the local rules on separate collection of batteries because correct disposal helps to prevent negative consequences for the environmental and human health.

### Environmental information

All unnecessary packaging has been omitted. We have tried to make the packaging easy to separate into three materials: cardboard (box), polystyrene foam (buffer) and polyethylene (bags, protective foam sheet.) Your system consists of materials which can be recycled and reused if disassembled by a specialized company. Please observe the local regulations regarding the disposal of packaging materials, exhausted batteries and old equipment.



The making of unauthorized copies of copy-protected material, including computer programs, files, broadcasts and sound recordings, may be an infringement of copyrights and constitute a criminal offence. This equipment should not be used for such purposes.




“Made for iPod” and “Made for iPhone” mean that an electronic accessory has been designed to connect specifically to iPod or iPhone respectively, and has been certified by the developer to meet Apple performance standards. Apple is not responsible for the operation of this device or its compliance with safety and regulatory standards. Please note that the use of this accessory with iPod or iPhone may affect wireless performance.

iPod and iPhone are trademarks of Apple Inc., registered in the U.S. and other countries. Class II equipment symbol



This symbol indicates that the apparatus has a double insulation system.

 Note

- The type plate is located on the bottom of the apparatus.

## 2 Your Docking Speaker

Congratulations on your purchase, and welcome to Philips! To fully benefit from the support that Philips offers, register your product at [www.philips.com/welcome](http://www.philips.com/welcome).

### Introduction

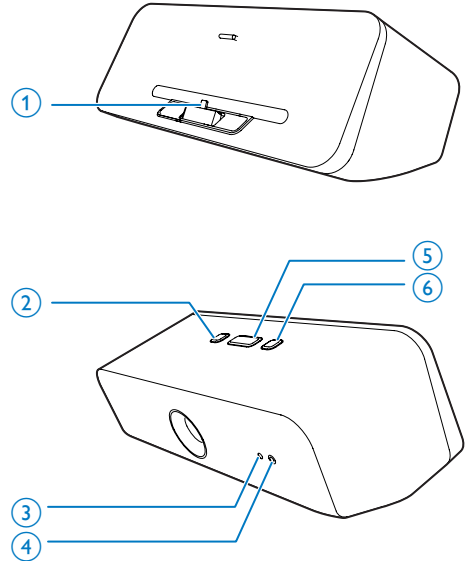
With this docking speaker, you can enjoy audio from the iPod/iPhone, Bluetooth devices, and other external audio devices.

### What's in the box

Check and identify the contents of your package:

- Main unit
- 1 x AC adaptor
- Short user manual

### Overview of the main unit



- ① **iPod/iPhone dock**
- ② **⏻**
  - Turn on/off the unit.
- ③ **DC IN**
  - Power supply socket.
- ④ **AUDIO IN**
  - Connect an external audio device.
- ⑤ **VOLUME**
  - Adjust volume.
- ⑥ **Ⓜ**
  - Enable or disable Bluetooth function.

# 3 Get started

## ! Caution

- Use of controls or adjustments or performance of procedures other than herein may result in hazardous radiation exposure or other unsafe operation.

Always follow the instructions in this chapter in sequence.

If you contact Philips, you will be asked for the model and serial number of this apparatus. The model number and serial number are on the bottom of the apparatus. Write the numbers here:

Model No. \_\_\_\_\_

Serial No. \_\_\_\_\_

---

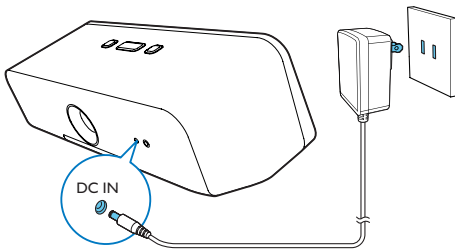
## Connect power

## ! Caution

- Risk of product damage! Make sure that the power supply voltage matches the voltage printed on the bottom of the unit.
- Risk of electric shock! When you unplug the AC adaptor, always pull the plug from the socket. Never pull the cord.

Connect the AC power adaptor to:

- the power socket at the back of the docking speaker.
- the wall socket.



---

## Turn on

Press  $\odot$  to turn the docking speaker on.

↳ The LED indicators light up.

---

## Switch to standby mode

The docking speaker switches to standby mode in the following situation:

- Press  $\odot$  again;
  - The speaker is idle for 15 minutes when powered by AC supply.
- ↳ The LED indicator lights off.

# 4 Play

---

## Play from iPod/iPhone

You can enjoy audio from your iPod/iPhone through this docking speaker.

---

### Compatible iPod/iPhone

The docking speaker supports the following iPod and iPhone models:

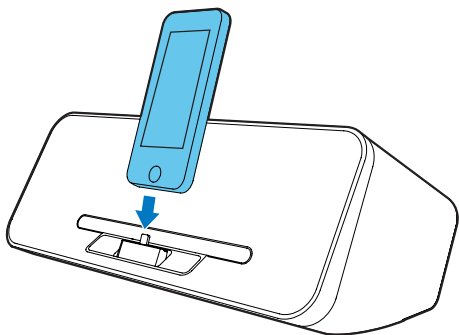
Made for:

- iPod touch (5th generation)
- iPod nano (7th generation)
- iPhone 5

---

### Listen to the iPod/iPhone

- 1 Press  $\phi$  to turn the docking speaker on.  
↳ The LED indicators light up.
- 2 Insert the iPod/iPhone into the dock.



- 3 Play audio on your iPod/iPhone.  
↳ Audio comes out through this docking speaker.

---

## Charge the iPod/iPhone

### Note

- If the docking speaker is operated on the batteries, you cannot charge your iPod/iPhone.

When the docking speaker is connected to AC power, the docked iPod/iPhone begins to charge.

---

## Play from Bluetooth device

### Note

- The effective operation range between the docking system and the paired device is approximately 10 meters (30 feet).
- Keep this docking speaker away from other electronic devices that may cause interference.

- 1 Press  $\mathbb{B}$  to select Bluetooth source.  
↳ The Bluetooth indicator blinks.
- 2 Activate the Bluetooth function in your Bluetooth device (see the device user manual).
- 3 Select "PHILIPS AD385" displayed on your device for pairing.  
↳ If connection is successful, the docking speaker beeps twice, and the Bluetooth indicator stops flashing.
  - For some devices, you need to input "0000" as pairing password.
- 4 Start music play on your Bluetooth device.

## Play from an external device

With this docking speaker, you can also enjoy audio from an external device such as an MP3 player:

### Note

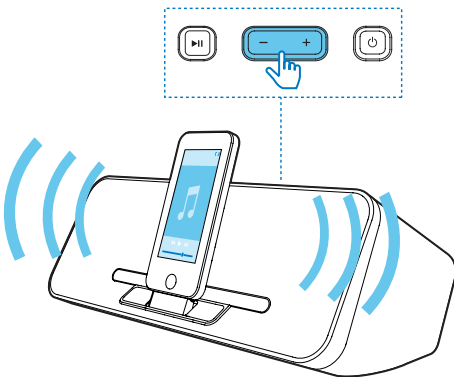
- Make sure that there is no audio detected from docking connector in the speaker.

- 1 Press  $\phi$  to turn the docking speaker on.
- 2 Connect the MP3 link cable (not supplied) to:
  - the **AUDIO-IN** socket at the back of the docking speaker.
  - the headphone socket on an external device.
- 3 Play audio on the device (see the device's user manual).

## Adjust volume

### To adjust volume:

- Press +/- on your docking speaker; or
- Adjust the volume control of your iPod/iPhone or external device.



# 5 Specifications

## Amplifier

Rated Output Power	2 X 4 W RMS
--------------------	-------------

## Bluetooth

Standard	Bluetooth Standard Version 2.1+EDR
Output power	0 dBm (Class 2)
Frequency band	2.402 ~ 2.480 GHzISM Band
Range	10 m (free space)

## General information

Power supply	Model: KSASB-0241200150HU ;
- AC Power	Input: 100-240V ~50/60Hz, 0.6A;
- Battery	Output: 12V $\equiv$ 1.5 A Li-ion polymer internal rechargeable battery 7.4V/10WH

Operation Power Consumption	<10.5 W
Standby Power Consumption	<0.5 W
Max. load for iPod/iPhone	5V $\equiv$ 1 A
Dimensions - Main Unit (W x H x D)	300 x 119 x 164 mm
Weight - Main Unit	1.45 kg
Operation temperature and humidity	0°C to 45°C, 5% to 90% Humidity for all climates.
Storage temperature and humidity	-40°C to 70°C, 5% to 95%



# 6 Troubleshooting



## Warning

- Never remove the casing of this apparatus.

To keep the warranty valid, never try to repair the system yourself.

If you encounter problems when using this apparatus, check the following points before requesting service. If the problem remains unsolved, go to the Philips web site ([www.philips.com/welcome](http://www.philips.com/welcome)). When you contact Philips, ensure that the apparatus is nearby and the model number and serial number are available.

### No power

- Make sure that the docking speaker is fully charged.
- Make sure that the AC power plug of the unit is connected properly.
- Make sure that there is power at the AC outlet.

### No sound

- Adjust the volume.

- The system is not in the pairing mode.
- The system is already connected with another Bluetooth-enabled device. Disconnect that device or all other connected devices and then try again.

### The paired device connects and disconnects constantly.

- The Bluetooth reception is poor: Move the device closer to the system or remove any obstacle between the device and the system.
- For some devices, the Bluetooth connection may be deactivated automatically as a power-saving feature. This does not indicate any malfunction of the system.

### No response from the unit

- Disconnect and reconnect the AC power plug, then turn on the docking speaker again.

---

## About Bluetooth device

**Music playback is unavailable on the system even after successful Bluetooth connection.**

- The device cannot be used with the system to play music.

**The audio quality is poor after connection with a Bluetooth-enabled device.**

- The Bluetooth reception is poor: Move the device closer to the system or remove any obstacle between the device and the system.

**Cannot connect with the system.**

- The device does not support the profiles required for the system.
- The Bluetooth function of the device is not enabled. Refer to the user manual of the device for how to enable the function.



Specifications are subject to change without notice  
© 2013 Koninklijke Philips Electronics N.V.  
All rights reserved.

AD385\_85\_UM\_V1.0

