

Register your product and get support at
www.philips.com/welcome

DCM2020



User manual	3
用户手册	23

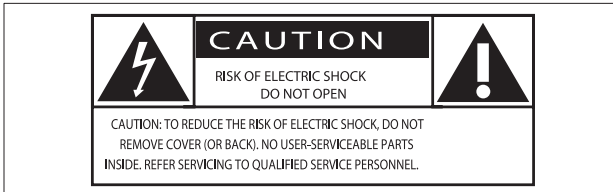
PHILIPS

Contents

1	Important	4	7	Other features	18
	Safety	4		Set sleep timer	18
	Notice	5		Set alarm timer	18
2	Your Micro Music System	7		Listen to external audio device	19
	Introduction	7		Listen through headphone	19
	What's in the box	7	8	Product information	20
	Overview of the main unit	8		Specifications	20
	Overview of the remote control	9		USB playability information	20
3	Get started	11		Supported MP3 disc formats	21
	Connect speakers	11	9	Troubleshooting	21
	Connect FM aerial	11			
	Connect power	11			
	Prepare the remote control	12			
	Turn on	12			
	Set clock	12			
	Demonstrate the features	13			
	Store radio stations automatically	13			
4	Play	13			
	Basic play operations	13			
	Play from disc	14			
	Play from USB	14			
	Adjust sound	14			
5	Play from iPod/iPhone/iPad	15			
	Compatible iPod/iPhone/iPad	15			
	Load the iPod/iPhone/iPad	15			
	Charge the iPod/iPhone/iPad	16			
	Listen to the iPod/iPhone/iPad	16			
	Remove the iPod/iPhone/iPad	16			
6	Listen to FM radio	17			
	Tune to FM radio stations	17			
	Program radio stations automatically	17			
	Program radio stations manually	17			
	Tune to a preset radio station	17			
	Show RDS information	18			

1 Important

Safety



This 'bolt of lightning' indicates uninsulated material within your unit may cause an electrical shock. For the safety of everyone in your household, please do not remove product covering.

The 'exclamation point' calls attention to features for which you should read the enclosed literature closely to prevent operating and maintenance problems.

WARNING: To reduce the risk of fire or electric shock, this apparatus should not be exposed to rain or moisture and objects filled with liquids, such as vases, should not be placed on this apparatus.

CAUTION: To prevent electric shock, match wide blade of plug to wide slot, fully insert.

Important Safety Instructions

- Heed all warnings.
- Follow all instructions.
- Do not use this device near water.
- Clean only with dry cloth.
- Do not block any ventilation openings.
Install in accordance with the manufacturer's instructions.

- Do not install near any heat sources such as radiators, heat registers, stoves, or other devices (including amplifiers) that produce heat.
- Protect the power cord from being walked on or pinched, particularly at plugs, convenience receptacles, and the point where they exit from the device.
- Only use attachments/accessories specified by the manufacturer.
- Unplug this device during lightning storms or when unused for long periods of time.
- Refer all servicing to qualified service personnel. Servicing is required when the device has been damaged in any way, such as power-supply cord or plug is damaged, liquid has been spilled or objects have fallen into the device, the device has been exposed to rain or moisture, does not operate normally, or has been dropped.
- Battery usage **CAUTION** – to prevent battery leakage which may result in bodily injury, property damage, or damage to the unit:
 - Install all batteries correctly, + and - as marked on the unit.
 - Do not mix batteries (old and new or carbon and alkaline, etc.).
 - Remove batteries when the unit is not used for a long time.
 - Batteries (battery pack or batteries installed) shall not be exposed to excessive heat such as sunshine, fire, or the like.
- Devices shall not be exposed to dripping or splashing.
- Do not place any sources of danger on the device (e.g. liquid filled objects, lighted candles).
- Where the MAINS plug or an appliance coupler is used as the disconnect device, the disconnect device shall remain readily operable.

**Warning**

- Never remove the casing of this device.
- Never lubricate any part of this device.
- Never place this device on other electrical equipment.

Hearing safety

Listen at a moderate volume.

- Using headphones at a high volume can impair your hearing. This product can produce sounds in decibel ranges that may cause hearing loss for a normal person, even for exposure less than a minute. The higher decibel ranges are offered for those that may have already experienced some hearing loss.
- Sound can be deceiving. Over time your hearing 'comfort level' adapts to higher volumes of sound. So after prolonged listening, what sounds 'normal' can actually be loud and harmful to your hearing. To guard against this, set your volume to a safe level before your hearing adapts and leave it there.

To establish a safe volume level:

- Set your volume control at a low setting.
- Slowly increase the sound until you can hear it comfortably and clearly, without distortion.

Listen for reasonable periods of time:

- Prolonged exposure to sound, even at normally 'safe' levels, can also cause hearing loss.
- Be sure to use your equipment reasonably and take appropriate breaks.

Be sure to observe the following guidelines when using your headphones.

- Listen at reasonable volumes for reasonable periods of time.
- Be careful not to adjust the volume as your hearing adapts.
- Do not turn up the volume so high that you can't hear what's around you.

- You should use caution or temporarily discontinue use in potentially hazardous situations. Do not use headphones while operating a motorized vehicle, cycling, skateboarding, etc.; it may create a traffic hazard and is illegal in many areas.

Notice

Any changes or modifications made to this device that are not expressly approved by Philips Consumer Lifestyle may void the user's authority to operate the equipment.

Disposal of your old product and batteries

Your product is designed and manufactured with high quality materials and components, which can be recycled and reused. Never dispose of your product with other household waste. Please inform yourself about the local rules on the separate collection of electrical and electronic products and batteries. The correct disposal of these products helps prevent potentially negative consequences on the environment and human health. Your product contains batteries, which cannot be disposed of with normal household waste. Please inform yourself about the local rules on separate collection of batteries. The correct disposal of batteries helps prevent potentially negative consequences on the environment and human health. Please visit www.recycle.philips.com for additional information on a recycling center in your area.

Environmental information

All unnecessary packaging has been omitted. We have tried to make the packaging easy to separate into three materials: cardboard (box), polystyrene foam (buffer) and polyethylene (bags, protective foam sheet.)

Your system consists of materials which can be recycled and reused if disassembled by a specialized company. Please observe the local regulations regarding the disposal of packaging materials, exhausted batteries and old equipment.



The making of unauthorized copies of copy-protected material, including computer programs, files, broadcasts and sound recordings, may be an infringement of copyrights and constitute a criminal offence. This equipment should not be used for such purposes.



“Made for iPod,” “Made for iPhone,” and “Made for iPad” mean that an electronic accessory has been designed to connect specifically to iPod, iPhone, or iPad, respectively, and has been certified by the developer to meet Apple performance standards. Apple is not responsible for the operation of this device or its compliance with safety and regulatory standards. Please note that the use of this accessory with iPod, iPhone, or iPad may affect wireless performance.

iPod and iPhone are trademarks of Apple Inc., registered in the U.S. and other countries. iPad is a trademark of Apple Inc.

This apparatus includes this label:



Note

- The type plate is located on the back of the unit.

2 Your Micro Music System

Congratulations on your purchase, and welcome to Philips! To fully benefit from the support that Philips offers, register your product at www.philips.com/welcome.

Introduction

With this unit, you can:

- Enjoy audio from discs, USB devices, iPod/iPhone/iPad, and other external devices;
- Listen to radio stations.

You can enrich sound output with these sound effects:

- Digital Sound Control (DSC)
- Dynamic Bass Boost (DBB)

The unit supports these media formats:

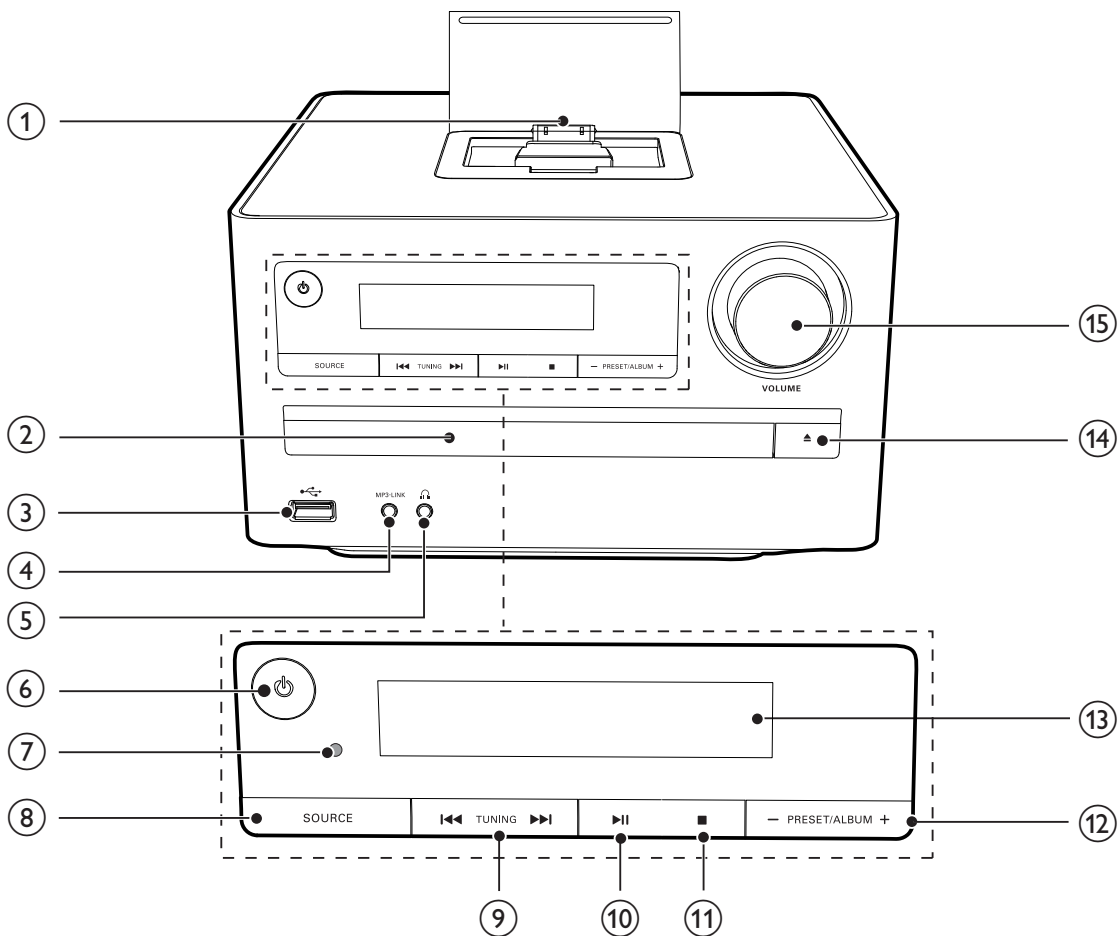


What's in the box

Check and identify the contents of your package:

- Main unit
- Remote control
- 2 x speaker boxes
- FM antenna
- Rubber pad
- User manual
- Quick start guide

Overview of the main unit



① **Dock for iPod/iPhone/iPad**

② **Disc compartment**

- Hold the disc.

③ 

- USB socket.

④ **MP3 LINK**

- Connect external audio device.

⑤ 

- Headphone socket.

⑥ 

- Turn on the unit.
- Switch to standby or Eco power standby mode.

⑦ **IR sensor**

- Detect signals from the remote control (always point the remote control towards the IR sensor).

⑧ **SOURCE**

- Select a source.

⑨ 

- Skip to previous/next track.
- Search within a track/disc.
- Tune to a radio station.

⑩ 

- Start or pause play.

⑪ 

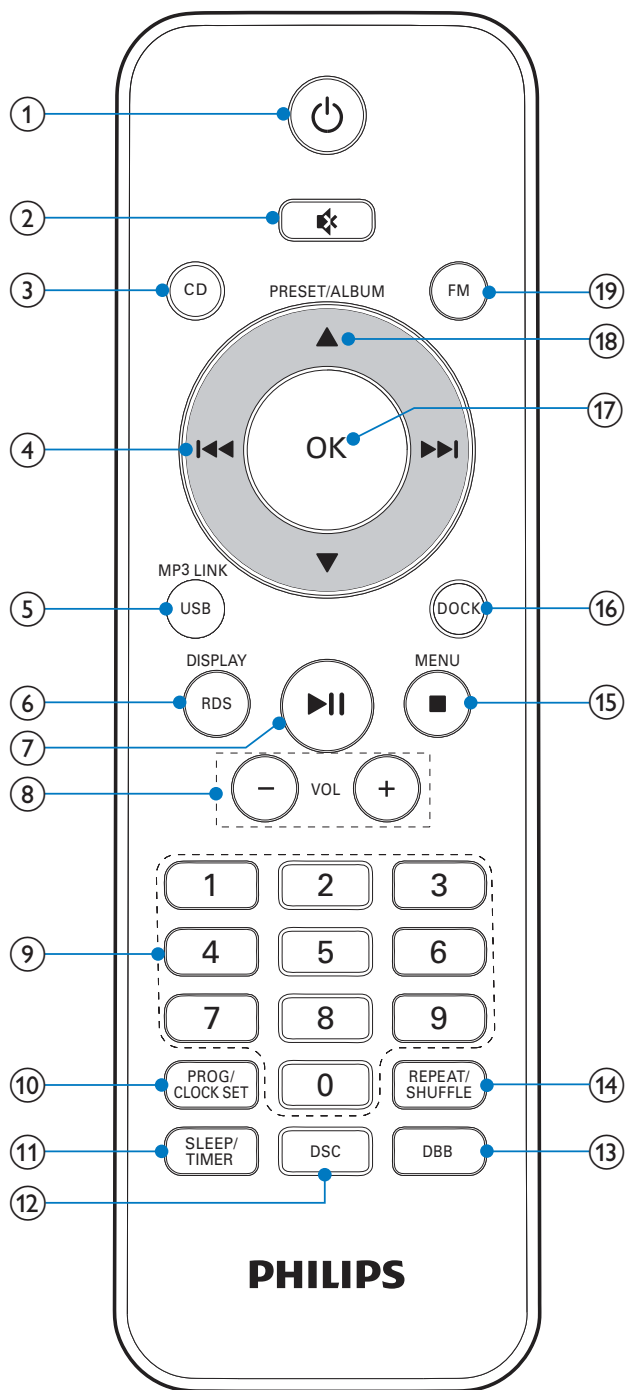
- Stop play.
- Erase a program.

⑫ **- PRESET/ALBUM+**

- Skip to previous/next album.
- Select a preset radio station.
- Navigate through iPod/iPhone/iPad menu.

- ⑬ **Display panel**
- Display current status.
- ⑭ **▲**
- Open or close the disc tray.
- ⑮ **VOLUME**
- Adjust volume.
 - Adjust time.

Overview of the remote control



- ① **⏻**
- Turn on the unit.
 - Switch to standby or Eco power standby mode.
- ② **🔇**
- Mute/restore volume.

- ③ **CD**
 - Select CD source.
- ④ **⏮ / ⏭**
 - Skip to previous/next track.
 - Search within a track/disc.
 - Tune to a radio station.
- ⑤ **MP3 LINK/USB**
 - Select MP3 LINK or USB source.
- ⑥ **RDS/DISPLAY**
 - Display play information.
- ⑦ **▶||**
 - Start or pause play.
- ⑧ **VOL +/-**
 - Adjust volume.
- ⑨ **Numeric keypad**
 - Select a track directly.
- ⑩ **PROG/CLOCK SET**
 - Program tracks.
 - Program radio stations.
 - Set clock.
- ⑪ **SLEEP/TIMER**
 - Set sleep timer.
 - Set alarm timer.
- ⑫ **DSC**
 - Select a preset sound setting.
- ⑬ **DBB**
 - Turn on or off dynamic bass enhancement.
- ⑭ **REPEAT/SHUFFLE**
 - Select repeat play mode.
 - Select random play mode.
- ⑮ **■ /MENU**
 - Stop play.
 - Erase a program.
 - Access iPod/iPhone/iPad menu.
- ⑯ **DOCK**
 - Select the dock source for iPod/iPhone/iPad.
- ⑰ **OK**
 - Confirm a selection.
 - Select FM stereo or FM mono.
- ⑱ **PRESET/ALBUM ▲ / ▼**
 - Skip to previous/next album.
 - Select a preset radio station.
 - Navigate through iPod/iPhone/iPad menu.
- ⑲ **FM**
 - Select FM radio source.

3 Get started



Caution

- Use of controls or adjustments or performance of procedures other than herein may result in hazardous radiation exposure or other unsafe operation.

Always follow the instructions in this chapter in sequence.

If you contact Philips, you will be asked for the model and serial number of this apparatus. The model number and serial number are on the bottom of the apparatus. Write the numbers here:

Model No. _____

Serial No. _____

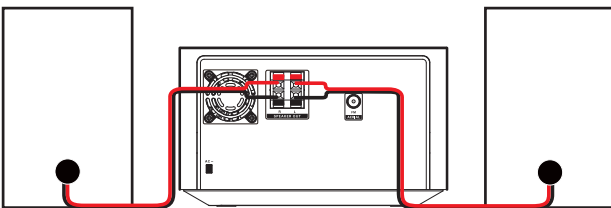
Connect speakers



Note

- For optimal sound, use the supplied speakers only.
- Connect only speakers with impedance that is the same or higher than the supplied speakers. Refer to the Specifications section of this manual.

Insert the speaker wires completely into the speaker input sockets on the back of the unit.



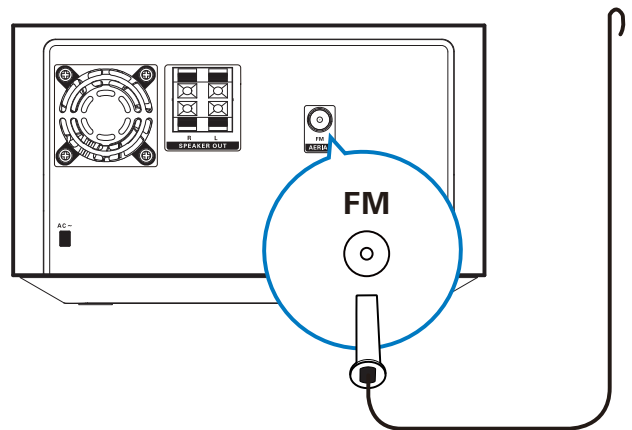
Connect FM aerial



Tip

- For optimal reception, fully extend and adjust the position of the antenna.
- For better FM stereo reception, connect an outdoor FM antenna to the **FM AERIAL** socket.
- The unit does not support MW radio reception.

Connect the supplied FM antenna to the **FM AERIAL** socket on the back of the unit.



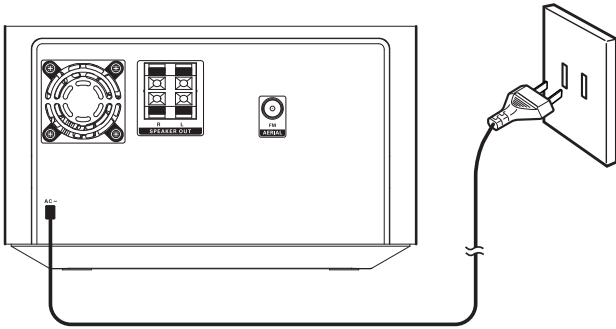
Connect power



Caution

- Risk of product damage! Ensure that the power supply voltage corresponds to the voltage printed on the back or the underside of the unit.
- Risk of electric shock! When you unplug the AC power cord, always pull the plug from the socket. Never pull the cord.
- Before you connect the AC power cord, ensure that you have completed all other connections.

Connect the power cable to the wall outlet.



Note

- If you are not going to use the remote control for a long time, remove the batteries.
- Do not use old and new or different types of batteries in combination.
- Batteries contain chemical substances, so they should be disposed of properly.

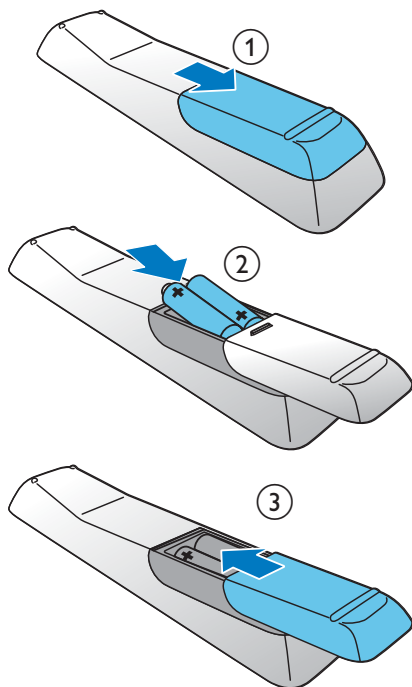
Prepare the remote control

Caution

- Risk of explosion! Keep batteries away from heat, sunshine, or fire. Never discard batteries in fire.

To insert the remote control battery:

- 1 Open the battery compartment.
- 2 Insert 2 AAA batteries with correct polarity (+/-) as indicated.
- 3 Close the battery compartment.



Turn on

Press **⏻**.

- ↳ The unit switches to the last selected source.

Switch to standby mode

Press **⏻** again to switch the unit to standby mode.

- ↳ The clock (if set) is displayed.

To switch to Eco power standby mode:

Press and hold **⏻** for more than two seconds.

- ↳ The backlight on the display panel turns off.

Note

- If no button is pressed over 15 minutes in standby mode, this device goes to Eco power standby mode automatically.

Set clock

- 1 In standby mode, press and hold **PROG/CLOCK SET** for more than two seconds to activate clock setting mode.
 - ↳ **[CLOCK SET]** (clock set) scrolls on the display, and then the time format **[24H]** and **[12H]** is displayed.
- 2 Press **▲** / **▼** to select 24H or 12H, and then press **PROG/CLOCK SET**.
 - ↳ The hour digits begin to blink.

- 3 Press ▲ / ▼ to set hour, and then press **PROG/CLOCK SET** again.
↳ The minute digits begin to blink.
- 4 Press ▲ / ▼ to set minute.
- 5 Press **PROG/CLOCK SET** to confirm the clock setting.



Note

- To exit clock setting mode without storing, press ■.
- If no button is pressed in 90 seconds, the system exits clock setting mode automatically.

Demonstrate the features

In the standby mode, press ■ until [DEMO ON] (demo on) is displayed.

↳ The features of this micro system are displayed one by one.

- To turn off the demonstration, press ■ again.

Store radio stations automatically

If no radio stations are stored, the unit can store radio stations automatically.

- 1 Turn on the unit.
- 2 Press **FM**.
↳ [AUTO INSTALL -- PRESS PLAY -- STOP CANCEL] (press ►|| to start automatic installation, or press ■ to cancel) is displayed.
- 3 Press ►||.
↳ The radio stations with sufficient signal strength are stored automatically.
↳ After all available radio stations are stored, the first stored radio station broadcasts automatically.

4 Play

Basic play operations

You can control play through following operations.

Key	Function
◀◀ / ▶▶	To select a track or file. Press and hold to fast-forward/fast-backward the track during playback, then release to resume play.
►	To pause/resume play during playback.
DISPLAY	To select different play information.
REPEAT/SHUFFLE	To select a repeat play mode: [REP] (repeat): play current track repeatedly. [REP ALL] (repeat all): play all tracks repeatedly. [SHUF] (shuffle): play tracks randomly. Press repeatedly to return to normal play.

You can also use numeric keys to select a track directly.

Play from disc

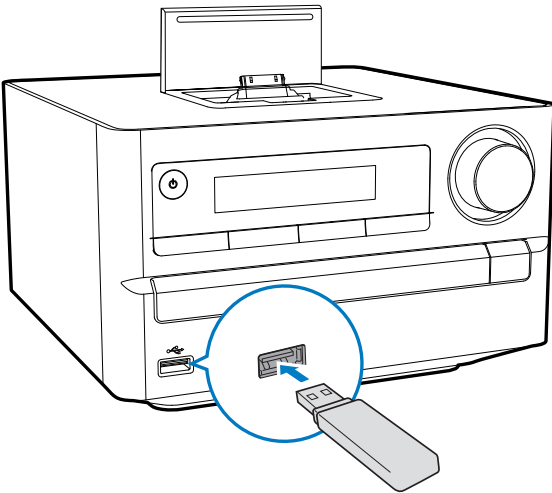
- 1 Press **CD** to select the CD source.
- 2 Press **▲** to open the disc compartment.
- 3 Place a disc with the printed side facing up, and then press **▲**.
 - ↳ Play starts automatically.
 - If not, press **◀◀ / ▶▶** to select a track, and then press **▶||**.

Play from USB

Note

- Ensure that the USB device contains playable audio contents for supported formats.

- 1 Insert a USB device into the USB socket.
- 2 Press **USB** to select the USB source.
 - ↳ Play starts automatically.
 - If not, press **PRESET/ALBUM** to select a folder and **◀◀ / ▶▶** to select a file, and then press **OK** to start play.



Adjust sound

During play, you can adjust volume through following operations.

Key	Function
VOL +/-	To increase/decrease the volume.
⊗	To mute/restore sound.
DBB	To turn on or off dynamic bass enhancement. If DBB is activated, [DBB] is displayed.
DSC	To select your desired sound effect: [POP] (pop) [JAZZ] (jazz) [ROCK] (rock) [CLASSIC] (classic) [FLAT] (flat)

5 Play from iPod/iPhone/iPad

When the iPod/iPhone/iPad is docked on this Micro System, you can listen to music from the speakers.

Note

- No audio output from the headphone jack in this situation.

Compatible iPod/iPhone/iPad

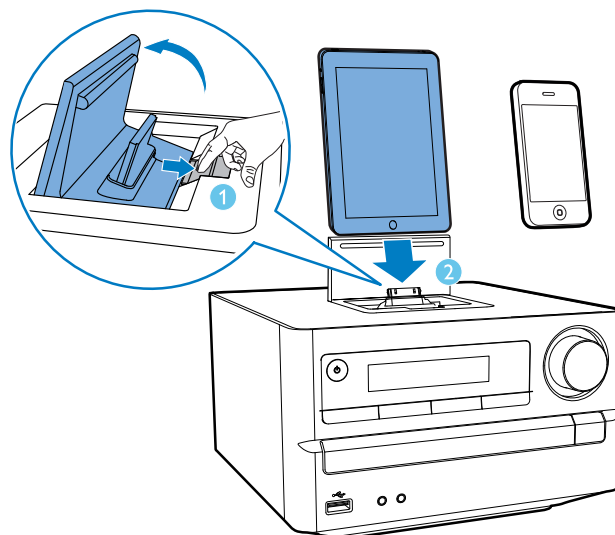
The unit supports these iPod/iPhone/iPad models:

Made for:

- iPod touch (1st, 2nd, 3rd, and 4th generation)
- iPod classic
- iPod with video
- iPod nano (1st, 2nd, 3rd, 4th, 5th, and 6th generation)
- iPod with color display
- iPod mini
- iPhone 4
- iPhone 3GS
- iPhone 3G
- iPhone
- iPad 2
- iPad

Load the iPod/iPhone/iPad

- 1 Push the lock key to open the lid of the dock.
- 2 Insert your iPod/iPhone/iPad onto the dock.

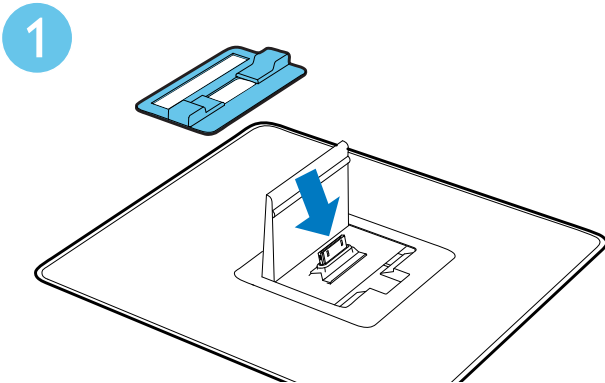


Install the rubber pad

Note

- For iPad2, you need to use the supplied rubber pad to keep it stable.

- 1 Open the dock, and place the rubber pad onto the dock compartment as indicated.
- 2 Load your iPad 2.



Charge the iPod/iPhone/iPad

When the unit is connected to power, the docked iPod/iPhone/iPad starts charging automatically.

Note

- iPod with color display, iPod classic, and iPod with video are not compatible with dock charging.

Tip

- For certain iPod models, it may take up to a minute before the charging indication appears.

Listen to the iPod/iPhone/iPad

- 1 Press **DOCK** to select the iPod/iPhone/iPad source.
- 2 Play the selected track on your docked iPod/iPhone/iPad.
 - To pause/resume the play, press **▶||**.
 - To search during play: press and hold **◀◀ / ▶▶**, and then release to resume normal play.
 - To scroll through the menu, press **▲ / ▼**.
 - To confirm a selection, press **OK** to confirm.

Remove the iPod/iPhone/iPad

- 1 Pull the iPod/iPhone/iPad out of the dock.
- 2 Flip down the lid to hide the dock.

6 Listen to FM radio

Tune to FM radio stations

Note

- Ensure that you have connected and fully extended the supplied FM antenna.

- 1 Press **FM**.
- 2 Press and hold **◀◀ / ▶▶** for more than two seconds to tune to a radio station.
- 3 When the frequency starts to change, release the button.
 - ↳ The FM tuner tunes to a station with strong reception automatically.
- 4 Repeat steps 2-3 to tune to more stations.

To tune to a weak station:

Press **◀◀ / ▶▶** repeatedly until you find optimal reception.

Program radio stations automatically

Note

- You can program a maximum of 20 preset radio stations.

In FM tuner mode, press **PROG/CLOCK SET** for more than two seconds to activate automatic programming.

↳ **[AUTO]** (auto) is displayed.

↳ The unit stores all the FM radio stations automatically and broadcasts the first available station.

Program radio stations manually

Note

- You can program a maximum of 20 preset radio stations.

- 1 Tune to a radio station.
- 2 Press **PROG/CLOCK SET** to activate programming mode.
- 3 Press **▲ / ▼** to select a number from 1-20 for this radio station, and then press **PROG/CLOCK SET** to confirm.
 - ↳ The preset number and the frequency of the preset station are displayed.
- 4 Repeat steps 2-3 to program more stations.

Note

- To overwrite a programmed station, store another station in its place.

Tune to a preset radio station

Press **▲ / ▼** to select a preset number.

Show RDS information

RDS (Radio Data System) is a service that allows FM stations to show additional information. If you tune to an RDS station, an RDS icon and the station name are displayed.

- 1 Tune to an RDS station.
- 2 Press **RDS** repeatedly to scroll through the following information (if available):
 - ↳ Station name
 - ↳ Program type such as **[NEWS]** (news), **[SPORT]** (sport), **[POP M]** (pop music)...
 - ↳ RDS clock
 - ↳ Frequency

Synchronize time with RDS

You can synchronize time shown on the unit with that on the RDS station.

- 1 Tune to a RDS radio station that transmits time signals.
- 2 Press **RDS** for over 2 seconds.
 - ↳ **[CT SYNC]** is displayed and the unit reads RDS time automatically.
 - ↳ If no time signal is received, **[NO CT]** is displayed.

 **Note**

- The accuracy of the transmitted time depends on the RDS station that transmits the time signal.

7 Other features

Set sleep timer

When the unit is turned on, press **SLEEP/TIMER** repeatedly to select a time period (in minutes).

- ↳ When sleep timer is activated, **zZ** is displayed.
- To deactivate sleep timer, press **SLEEP/TIMER** again until **zZ** disappears.

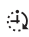
Set alarm timer

This unit can be used as an alarm clock. You can select CD, iPod/iPhone/iPad, playlist, FM, or USB as alarm source.

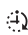
 **Note**

- Make sure that you have set the time correctly.

- 1 In standby mode, press and hold **SLEEP/TIMER** until **[TIMER SET]** scrolls on the display.
 - ↳ **[SELECT SOURCE]** scrolls on the screen.
- 2 Press **SOURCE** repeatedly to select a source: DISC, USB, TUNER, iPod/iPhone/iPad, or playlist.
 - If iPod/iPhone/iPad playlist is selected as the alarm source, you need create a playlist called "PHILIPS" in your iPod/iPhone/iPad.
 - If no playlist called "PHILIPS" is created in the iPod/iPhone/iPad or no track is stored in the playlist, the unit switches to TUNER alarm source.

- 3 Press **SLEEP/TIMER** to confirm.
↳ The hour digits are displayed and begin to blink.
- 4 Press **▲ / ▼** repeatedly to set hour, and then press **SLEEP/TIMER**.
↳ The minute digits are displayed and begin to blink.
- 5 Press **▲ / ▼** to set minute, and then press **SLEEP/TIMER** again.
↳ **VOL** (volume) is displayed and begins to blink.
- 6 Press **▲ / ▼** to adjust volume, and then press **SLEEP/TIMER** to confirm.
↳  is displayed.

Activate/deactivate alarm timer

In standby mode, press **SLEEP/TIMER** repeatedly to activate or deactivate the timer.
↳ If timer is activated,  is displayed.

Note

- Alarm timer is not available in MP3 LINK mode.
- If DISC/USB/iPod/iPhone/iPad source is selected, but no disc is placed or no USB/iPod/iPhone/iPad connected, the system switches to the tuner source automatically.

Add your file to play list

- 1 Select one file.
- 2 Press **PROG/CLOCK SET** to add this file into the playlist.
- 3 Repeat step 1-2 to add other files.
- 4 Press **MENU** to view the detailed information about the playlist.

Listen to external audio device

You can listen to an external audio device such as MP3 player through this unit.

- 1 Press **MP3 LINK** to select MP3 link source.
- 2 Connect the MP3 Link cable to
 - the **MP3 LINK** jack of the back of the unit
 - the headphone jack on the device
- 3 Start to play the device. (See the device user manual).

Listen through headphone

Plug a headphone into the  socket on the unit.

Note

- No audio output from the headphone jack when you listen to the docked iPod/iPhone/iPad. Please listen through the speakers instead.

8 Product information



Note

- Product information is subject to change without prior notice.

Specifications

Amplifier

Rated Output Power	2 x 10 W RMS
Frequency Response	40 Hz-20 kHz, ± 3 dB
Signal to Noise Ratio	> 77 dB
MP3-Link Input	600 mV RMS 22 kohm

Disc

Laser Type	Semiconductor
Disc Diameter	12 cm/8 cm
Support Disc	CD-DA, CD-R, CD-RW, MP3-CD, WMA-CD
Audio DAC	24 Bits / 44.1 kHz
Total Harmonic Distortion	<0.8% (1 kHz)
Frequency Response	4 Hz - 20 kHz (44.1 kHz)
S/N Ratio	>75 dBA

Tuner (FM)

Tuning Range	87.5 - 108 MHz
Tuning grid	50 KHz
Sensitivity	
- Mono, 26dB S/N Ratio	< 22 dBf
- Stereo, 46dB S/N Ratio	< 43 dBf

Search Selectivity	> 28 dBf
Total Harmonic Distortion	< 2%
Signal to Noise Ratio	> 55 dB

Speakers

Speaker Impedance	6 ohm
Speaker Driver	10 cm full range
Sensitivity	> 84 dB/m/W ± 4 dB/m/W

General information

AC power	220 V ~, 50 Hz
Operation Power Consumption	25 W
Eco Standby Power Consumption	≤ 0.5 W
USB Direct	Version 2.0 HS
Dimensions	
- Main Unit (W x H x D)	200 x 118 x 210 mm
- Speaker Box (W x H x D)	140 x 224 x 144 mm
Weight	
- Main Unit	1.35 kg
- Speaker Box	1.05 kg x 2

USB playability information

Compatible USB devices:

- USB flash memory (USB 2.0 or USB1.1)
- USB flash players (USB 2.0 or USB1.1)
- memory cards (requires an additional card reader to work with this unit)

Supported formats:

- USB or memory file format FAT12, FAT16, FAT32 (sector size: 512 bytes)
- MP3 bit rate (data rate): 32-320 Kbps and variable bit rate
- WMA v9 or earlier

- Directory nesting up to a maximum of 8 levels
- Number of albums/ folders: maximum 99
- Number of tracks/titles: maximum 999
- ID3 tag v2.0 or later
- File name in Unicode UTF8 (maximum length: 64 bytes)

Unsupported formats:

- Empty albums: an empty album is an album that does not contain MP3/WMA files, and is not be shown in the display.
- Unsupported file formats are skipped. For example, Word documents (.doc) or MP3 files with extension .dlf are ignored and not played.
- AAC, WAV, PCM audio files
- DRM protected WMA files (.wav, .m4a, .m4p, .mp4, .aac)
- WMA files in Lossless format

Supported MP3 disc formats

- ISO9660, Joliet
- Maximum title number: 512 (depending on file name length)
- Maximum album number: 255
- Supported sampling frequencies: 32 kHz, 44.1kHz, 48 kHz
- Supported Bit-rates: 32~320 (kbps), variable bit rates

9 Troubleshooting



Warning

- Never remove the casing of this device.

To keep the warranty valid, never try to repair the system yourself.

If you encounter problems when using this device, check the following points before requesting service. If the problem remains unsolved, go to the Philips web site (www.philips.com/welcome). When you contact Philips, ensure that the device is nearby and the model number and serial number are available.

No power

- Ensure that the AC power cord of the unit is connected properly.
- Ensure that there is power at the AC outlet.
- As a power-saving feature, the system switches off automatically 15 minutes after track play reaches the end and no control is operated.

No sound or poor sound

- Adjust the volume.
- Disconnect the headphones.
- Check if the speakers are connected correctly.

No response from the unit

- Disconnect and reconnect the AC power plug, then turn on the unit again.
- As a power-saving feature, the system switches off automatically 15 minutes after track play reaches the end and no control is operated.

Remote control does not work

- Before you press any function button, first select the correct source with the remote control instead of the main unit.
- Reduce the distance between the remote control and the unit.

- Insert the battery with its polarities (+/– signs) aligned as indicated.
- Replace the battery.
- Aim the remote control directly at the sensor on the front of the unit.

No disc detected

- Insert a disc.
- Check if the disc is inserted upside down.
- Wait until the moisture condensation at the lens has cleared.
- Replace or clean the disc.
- Use a finalized CD or correct format disc.

Cannot display some files in USB device

- The number of folders or files in the USB device has exceeded a certain limit. This phenomenon is not a malfunction.
- The formats of these files are not supported.

USB device not supported

- The USB device is incompatible with the unit. Try another one.

Poor radio reception

- Increase the distance between the unit and your TV or VCR.
- Fully extend the FM antenna.
- Connect an outdoor FM antenna instead.

Timer does not work

- Set the clock correctly.
- Switch on the timer.

Clock/timer setting erased

- Power has been interrupted or the power cord has been disconnected.
- Reset the clock/timer.

部件名称 Name of the Parts	有毒有害物质或元素 Hazardous/toxic Substance					
	铅 (Pb, Lead)	汞 (Hg, Mercury)	镉 (Cd, cadmium)	六价铬(Chromium 6+)	多溴联苯 (PBB)	多溴二苯醚 (PBDE)
Housing 外壳	○	○	○	○	○	○
DVD/CD loader DVD/CD 光盒	×	○	○	○	○	○
LCD Panel 液晶面板	×	×	○	○	○	○
PWBs 电路板组件	×	○	○	○	○	○
Accessories (Remote control & cables) 附件 (遥控器, 电 源线, 连接线)	×	○	○	○	○	○

○: 表示该有毒有害物质在该部件所有均质材料中的含量均在SJ/T11363 - 2006 标准规定的限量要求以下。
○: Indicates that this toxic or hazardous substance contained in all of the homogeneous materials for this part is below the limit requirement in SJ/T11363 - 2006.

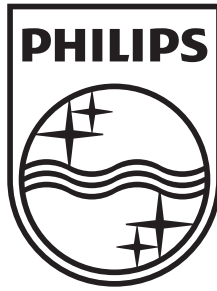
×: 表示该有毒有害物质至少在该部件的某一均质材料中的含量超出SJ/T11363 - 2006 标准规定的限量要求。
X: Indicates that this toxic or hazardous substance contained in at least one of the homogeneous materials used for this part is above the limit requirement in SJ/T11363 - 2006.



环保使用期限 Environmental Protection Use Period

此标识指期限（十年），电子信息产品中含有的有毒有害物质或元素在正常使用的条件下不会发生外泄或突变，用户使用该电子信息产品不会对环境造成严重污染或对其人身、财产造成严重损害的期限。

This logo refers to the period (10 years) during which the toxic or hazardous substances or elements contained in electronic information products will not leak or mutate so that the use of these [substances or elements] will not result in any severe environmental pollution, any bodily injury or damage to any assets.



Specifications are subject to change without notice
© 2011 Koninklijke Philips Electronics N.V.
All rights reserved.

DCM2020_IFU_93_V2.0

