

PHILIPS

2.1 Speakers

MMS2160B



User manual

Register your product and get support at
www.philips.com/welcome

General information

Safety instructions

Please read carefully the safety mark on the back side



This mark is intended to alert the user from the non isolated dangerous voltage within the product that may be of sufficient magnitude to constitute a risk of electric shock to persons.



This mark is intended to alert the user for important operating and servicing instruction.

Warnings

- Avoid sustained periods on high-volume use, and do not turn the volume to maximum level while using high output signal, such as Mobile Phone or DVD, etc., as this will cause distortion and may damage the loudspeaker cones.
- Please switch off the system from the wall socket, when not in use.
- Do not open the cover or back panel to avoid electrical shock or any other accidents. No user-serviceable parts are inside.
- Only for indoor use.
- Plug the system to the AC outlet with the right voltage marked on the back panel of the Subwoofer.
- The MAINS plug is used as the disconnect device, the disconnect device shall remain readily operable.

Accessories

Item	3.5mm to RCA cable	Remote control	User manual	FM Antenna cable
Quantity	1	1	1	1

- The product shall not be exposed to dripping or splashing and that no objects filled with liquids, such as vases, shall be placed on the product.
- Batteries shall not be exposed to excessive heat such as sunshine, fire or the like.
- Attention should be drawn to the environmental aspects of battery disposal.

Care and safety information

Avoid high temperatures, moisture, water and dust

- Apparatus should not be exposed to dripping or splashing of liquid.
- Do not place any source of danger on the Subwoofer, and satellite (e.g. liquid filled objects lighted candles).
- Do not install near heat sources.

Do not block any ventilation opening

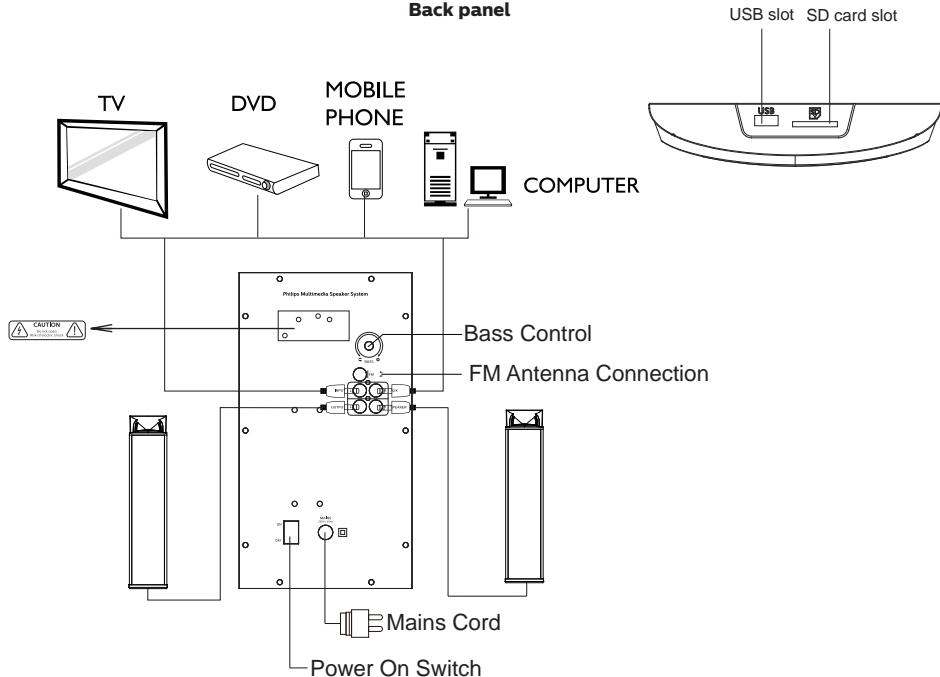
- Place the apparatus in a location with adequate ventilation to prevent internal heat build up. Allow at least 10cm (4 inches) of free space all around the apparatus for adequate ventilation.
- At high volume the back cover of Subwoofer becomes hot. Do not touch it.

Care of the cabinet

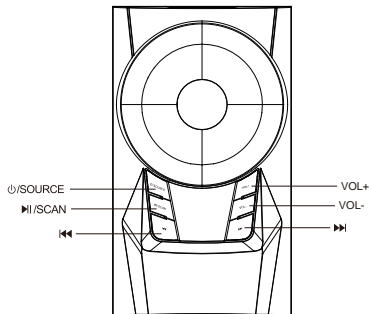
- Use a soft cloth slightly moistened to clean the cabinet. Do not use a solution containing alcohol, spirits, ammonia or abrasives.

Connections

Back panel



Front panel operation

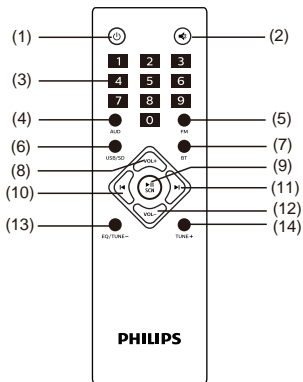


- The Speaker system is in “ ST-BY ” (stand by) mode when the power supply is switched on, with the orange LED Flashing. Please press the “ ⏪/SOURCE ” to select appropriate source. Long press “ ⏪/SOURCE ” to put it back in “ ST-BY ” (stand by) mode.
- You can toggle through the input modes by pressing the “ ⏪/SOURCE ” key. “ AU ” for Audio in mode, “ Ud ” for USB* mode, “ Sd ” for SD* mode, “ 87.5 ” for FM mode, “ bt ” for Bluetooth Mode.
- Volume+/- Manual control for volume.

⏪ ⏩		AUDIO IN INPUT	USB/SD INPUT	FM TUNNER	BT INPUT
	short press	—	Track Selection Previous/Next	Previous/Next Channel Selection	Track Selection Previous/Next
⏩/SCAN	short press	Play/Pause	Play/Pause	—	Play/Pause
	long press	—	—	Auto Search	Disconnect/reconnect Bluetooth

* AVAILABLE IF CONNECTED

Remote controls

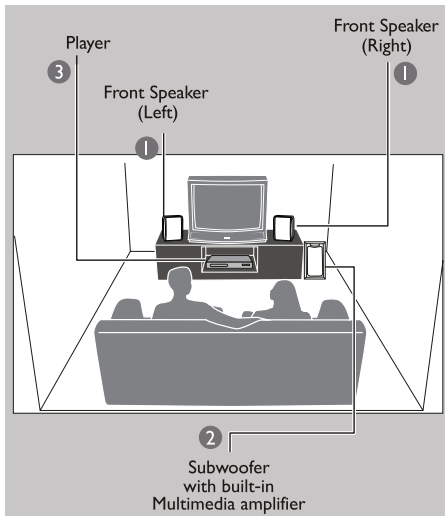


- | | |
|-----------|----------------------|
| 1. ST-BY | 8. VOL+ |
| 2. MUTE | 9. ▶
SCN |
| 3. 0~9 | 10. ◀ |
| 4. AUD | 11. ▶ |
| 5. FM | 12. VOL- |
| 6. USB/SD | 13. EQ/TUNE- |
| 7. BT | 14. TUNE+ |

- ⏻: Turn on/Stand-by the speaker.
- MUTE: To activate or deactivate the sound.
- 0-9: Numeric keys, with the help of these keys you can select song or track in USB*. In FM, you can key in frequency, i.e. 92.7.
- AUD: To choose Audio in mode.
- FM: To choose FM mode.
- USB*/SD*: To choose USB*/SD* mode. Press the number “0-9” on the remote control, your can choose corresponding song.
- BT: To choose Bluetooth mode Search the device named “Philips MMS2160B”, It is successfully paired if ‘•’ of “bt.”stops blinking/flashing. Press “▶||” for 3 seconds, Bluetooth can be forced to disconnect.
- VOL+: Volume increase.
- ▶||/SCN**: Short press to plays/pause, long press for FM auto search. For manual storage, user can press frequency (eg. 106.4) and press “▶||”, station number will flash, press “◀” or “▶” to choose the serial, press “▶||” again to store the station.
- ◀**: Previous song/station.
- ▶**: Next song/station.
- VOL-: Volume decrease.
- EQ/TUNE-: Short press to search channel step by step (each step(-) 0.1 MHz), long press “EQ/TUNE-” to search previous channel. The channel will start to play once successfully searched.
EQ: Normal, Pop, Rock, Jazz, Classic, Country
(works in USB*/SD*/BT mode)
- TUNE+: Short press to search channel step by step (each step(+) 0.1 MHz), long press to search next channel. The channel will start to play once successfully searched.

* AVAILABLE IF CONNECTED

Playing the speakers and subwoofer



System positioning :

The subwoofer is recommended to be put on the floor to get a better acoustic effect.

For best possible surround sound, all the speakers (except subwoofer) should be placed at the same distance from the listening position.

Place the front left and right speakers at equal distances from the TV and at an angle of approximately 45 degrees (horizontal) from the listening position.

Helpful Hints:

- To avoid magnetic interference, do not position the speakers, too close to your TV.

Bluetooth Operating Instruction

1. Press SOURCE key from front panel or remote to go to Bluetooth;
2. When selected the Bluetooth mode, in display, ‘•’ of “bt.” starts blinking/flashing ;
3. For pairing with mobile or other Bluetooth devices, search the device named “Philips MMS2160B” and pair it. Once paired, ‘•’ of “bt.” stops blinking/flashing;
4. Press “▶|” for continuous 3 seconds from remote in order to force disconnect the Bluetooth.

Note: While using Bluetooth, if external call comes, then speaker system goes in mute mode in order to protect privacy of mobile phone user. Operation resumes once the call is disconnected.

Troubleshooting

Warning -

Under no circumstances should you try to repair the system yourself, as this will invalidate the warranty. Do not open the system as there is a risk of electric shock. If a fault occurs, first check the points listed below before taking the system for repair. If you are unable to remedy the problem by following hints mentioned in below table. Consult your dealer or PHILIPS APSC for help.

Problem	Solution
1. No power.	Check if the AC power cord is properly inserted into the AC mains socket.
2. No sound or distorted sound.	Adjust the volume / select the correct source to choose the equipment that you want to hear through the system.
3. The remote control does not function properly.	Reduce the distance between the remote control and the system. Replace the batteries with new ones / Point the remote control directly towards the IR sensor (located on front panel of the subwoofer) / Check that the batteries are loaded correctly / Switch off the system for 30 seconds and then restart.
4. Low hum or buzz sound.	Place the product as far away as possible from electrical devices that may be causing interference / Check power supply voltage and consult electrician.
5. The content of the USB / SD flash drive can not be read.	The USB / SD flash drive format is not compatible with the system. Drive is formatted with a different file system which is not supported by this unit (e.g. NTFS).
6. Slow operation of the USB / SD flash drive / can not detect USB / SD flash drive.	Large file size of high memory USB / SD flash drive takes longer time to read and play. / Take out USB / SD drive and insert it again properly.
7. FM not properly tuned.	Match with local frequency.
8. FM reception not good.	While listening radio turn off TV / DVD or other radiation source.
9. BT not working.	Reduce the distance or device is not paired.

In case these measures do not work contact the nearest PHILIPS service center or call at customer care numbers.

Warranty

This Philips 2.1 multimedia speakers system is warranted against any defect due to defective materials or workmanship for 12 months from the date of purchase, should a defect develop during the period of warranty, **Gibson Innovations India Private Limited** undertake to repair the apparatus FREE OF CHARGE through the dealer from whom it has been purchased or at any of the Philips Authorised Service Centres.

The warranty is not valid in case :

1. Proof of purchase is not accompanied with this warranty card.
2. The warranty card is not completed immediately after purchase.
3. The apparatus is not used according to this manual.
4. Defects are caused by improper or reckless use.
5. Any repairs are done by persons other than Philips Authorised service centre.
6. Any modifications or alteration of any nature are made in the apparatus.
7. The serial number is tampered with.
8. Defects due to causes beyond control like lightning, abnormal voltage, acts of God or while in transit to the purchaser's residence.

All consumables and parts susceptible to normal wear and tear are not covered under warranty.

Week/S.No.: _____ Bill No. _____

Date of purchase _____

Dealer's name: _____

Dealers stamp: _____

Customer's name and address: _____

Model No.: _____

Dealer's signature: _____

Gibson Innovations India Private Limited 4th Floor, Block-1, Vatika Business Park, Sector 49, Sohna Road, Gurgaon-122018, Haryana, India

Product specifications*

Total system power	60W RMS
Satellite	15Wx2 RMS
Subwoofer power	30W RMS
Separation	>35db
SNR	>60db
Audio input socket	RCA
Audio output socket	RCA
Power consumption	50W
Subwoofer speaker	1 Way
Speaker size	5.25 inch
Impedance	8 Ohm
Frequency range	20Hz - 170Hz
Dimension (mm) W x H x D	170 x 312 x 335
Weight	4.38 Kg

Satellite speaker	1 Way, 2 Speakers
Speaker size	3 inch
Impedance	4 Ohm
Frequency range	120Hz - 20KHz
Dimension (mm) W x H x D	94.6 x 434.8 x 84.3
Weight	1.24 Kg
BT version	V3.0
BT range	Upto 10 meter
USB class support	UMS (USB mass storage class)
USB capacity	Upto 16GB
USB playability	MP3 track

*Specification subject to change without prior notice.
Measured under specific conditions.

The Philips trademark and Philips shield emblem are registered trademarks of koninklijke Philips N.V. used under license.

This product has been manufactured by and sold under the responsibility of Gibson Innovation India Private Ltd. and Gibson Innovations India private Ltd. is the warrantor in relation to this product.



**Question?
Contact
Philips**

Always there to help you

Visit us at www.india.philips.com
Contact at: 1860 180 1111, 1800 102 2929
Or customercare.india@philips.com